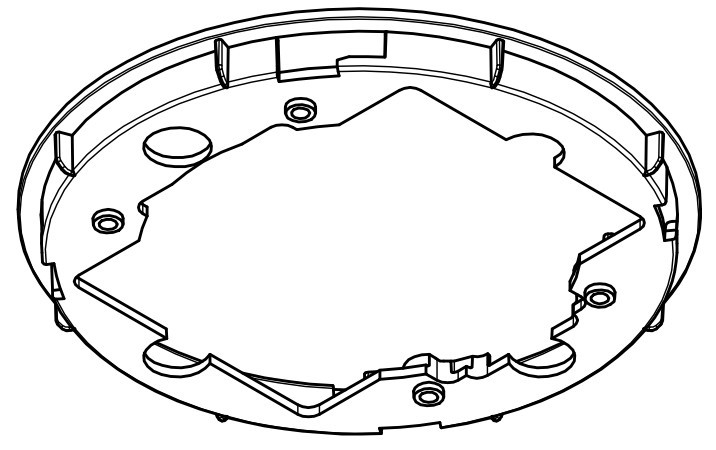
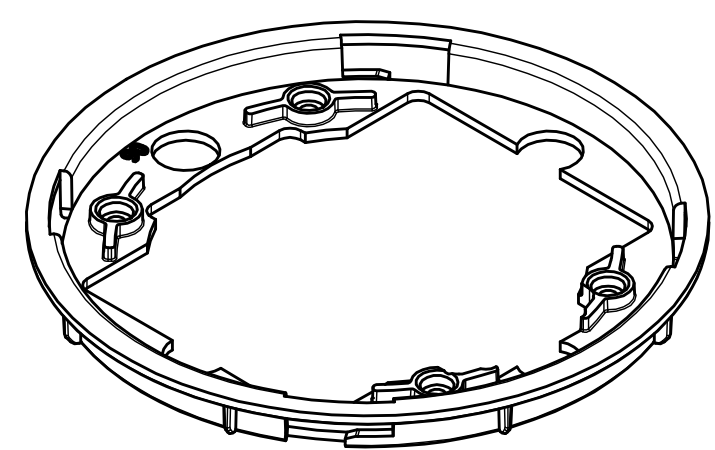
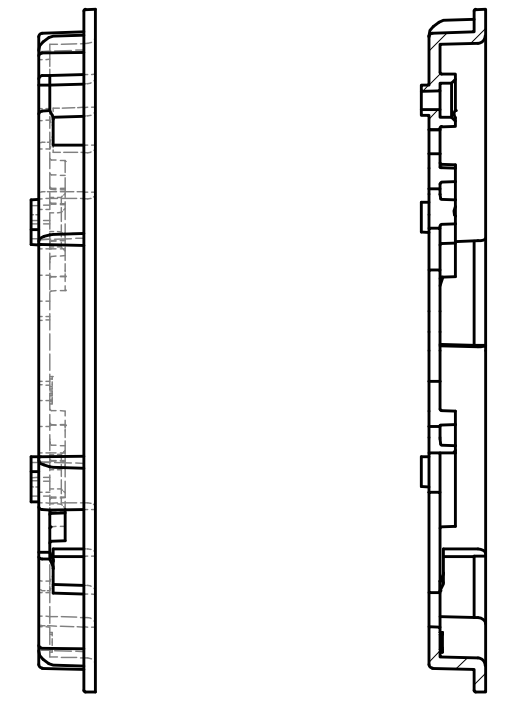


A-A (1:1)



RESERVED PROPERTY: The present drawing cannot be reproduced or communicated to 3d parties, even partially, without the authorization of ITALTRONIC Srl. Italtronic reserves to protect its own rights according to the law.				
GENERAL TOLERANCE	UNI EN 22768/1 Media (m)	Drawn:	Checked:	Scale:
Sheet nr.:	Dimension in mm	DRAWING BY	F.F.	Fanin F.
1 / 1		 Manual modification are not allowed	Date:	Material:
Description:			23/10/2017	Weight:
EYE-VASCHETTA PCB INTERNA -COMUNE EYE ENCLOSURE PCB FOR WAGO,RJ45,CSF,BATTERY,				0,006 kg
 Italtronic s.r.l. via Austria 25/D - 35127 Padova - Italy www.italtronic.com		Drawing nr.	1.001.07149	Rev.