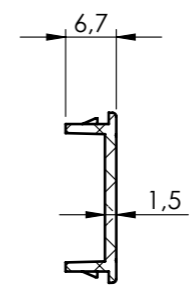
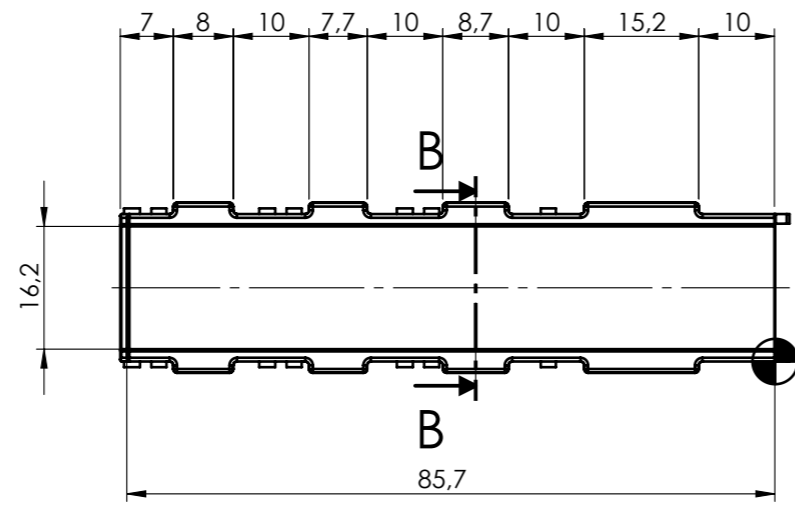
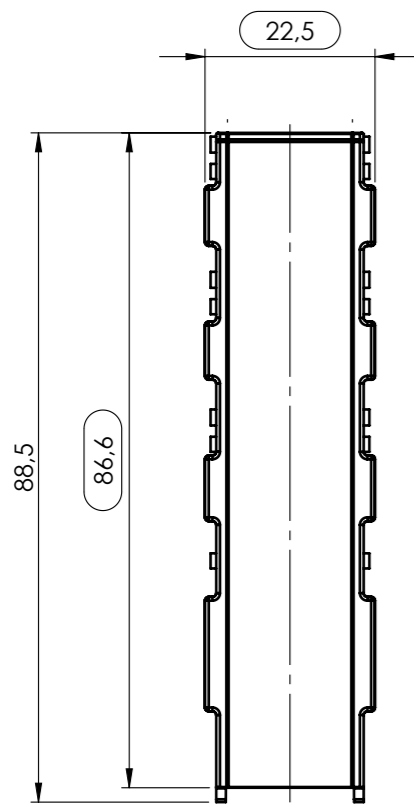
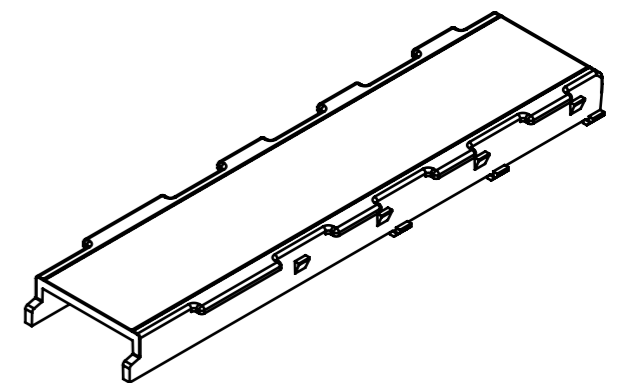
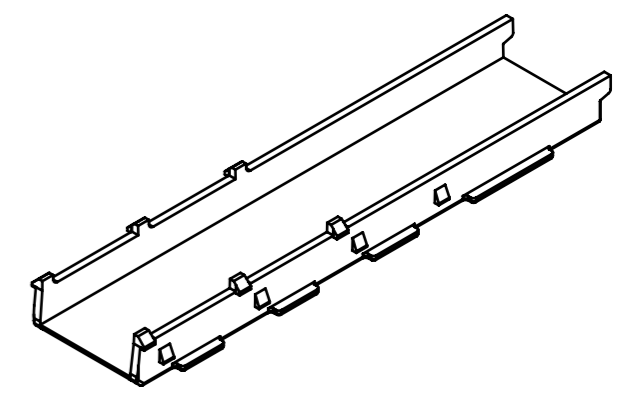


DETAIL A  
SCALE 2 : 1



SECTION B-B



General information:  
 - Workpiece zero point for mechanical processing  
 - Minimum recommended radius for machining = R1.0 mm

General Tolerance UNI EN 22768/1 Media (m)					Sheet:
from 0.5 to 3 ± 0.1	from 3 to 6 ± 0.1	from 6 to 30 ± 0.2	from 30 to 120 ± 0.3	from 120 to 400 ± 0.5	1
Scale: 1:1	Drawed: M.S.	Checked: R.N.	Date: 31/08/2023	Material: PC/ABS	Process: INJECTION
Dimension in mm	Replaces the: R-05973-00		Derived from: --	Weight: 4.59 gr	Cod. Mold: ST.1011110
<b>italtronic</b> enclosures for electronics italtronic.com					Description: COPRIFESSURA CHIUSO VER. 22.5 MM MULTILEVEL MULTILEVEL HOLE COVER CLOSED FOR 22.5 MM ENCLOSURE Drawing nr.: <b>2_110_00071</b>
				Rev.:	A3
				00	