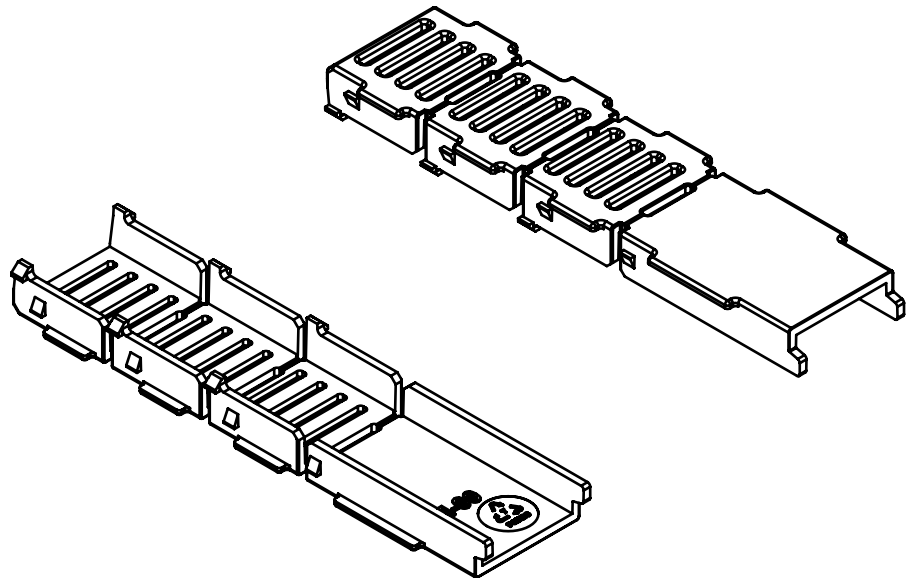
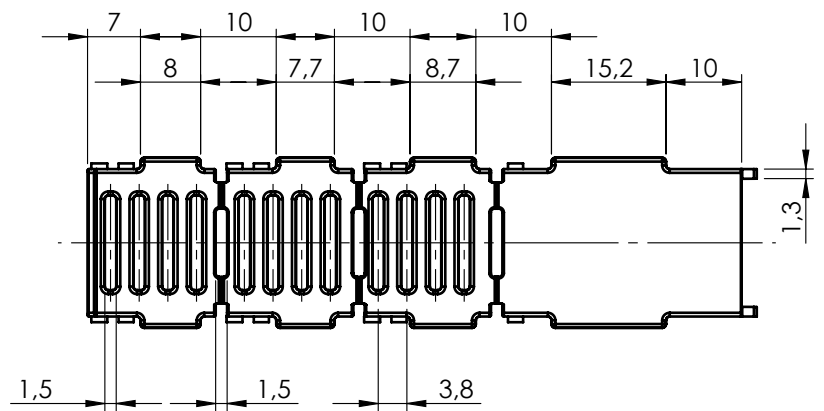
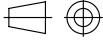



DETAIL A
SCALE 10 : 1



General Tolerance UNI EN 22768/1 Media (m)					Sheet:	
from 0,5 to 3 ± 0,1	from 3 to 6 ± 0,1	from 6 to 30 ± 0,2	from 30 to 120 ± 0,3	from 120 to 400 ± 0,5	1	
Scale: 1:1	Drawed: M.S.	Checked: R.N.	Date: 01/09/2023	Material: PC/ABS	Process: INJECTION	
 Dimension in mm		Derived from: --		Weight: 3.97 gr	Cod. Mold: --	
 enclosures for electronics italtronic.com		Description: COPRIFFESSURA FRATTURABILE PER VERS. 22,5 MM ORIZZ. MULTIL MULTILEVEL HORIZONTAL HOLE COVER BREAKBLE FOR 22,5MM			Drawing nr.: 2_110_00074	
				Rev.:	A4	