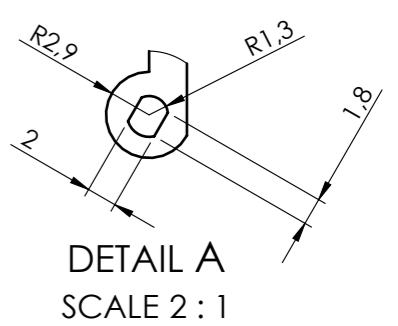
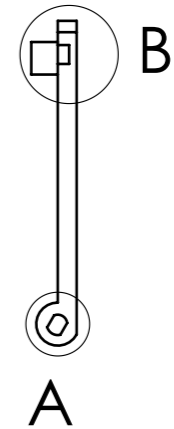
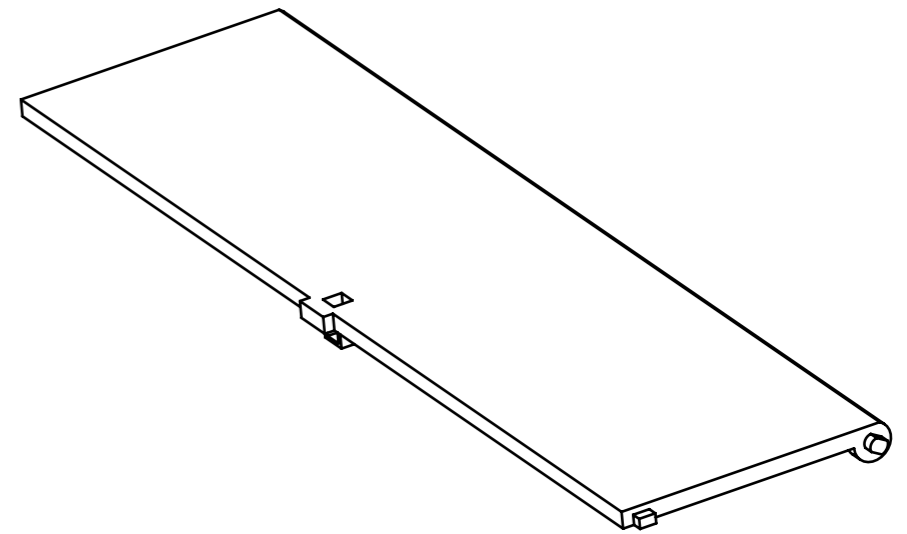


DETAIL B
SCALE 2 : 1



DETAIL A
SCALE 2 : 1



General Tolerance UNI EN 22768/1 Media (m)					Sheet:
from 0.5 to 3 ± 0.1	from 3 to 6 ± 0.1	from 6 to 30 ± 0.2	from 30 to 120 ± 0.3	from 120 to 400 ± 0.5	1
Scale: 1:1	Drawed: M.S.	Checked: R.N.	Date: 09/11/2023	Material: PC	Process: INJECTION
Dimension in mm	<small>The present drawing cannot be reproduced or communicated to 3rd parties, even partially, without the authorization of ITALTRONIC S.p.A. Italtronic reserves to protect its own rights according to the law.</small>	Replaces the: M-00344-01	Derived from: --	Weight: 20.35 gr	Cod. Mold: --
italtronic enclosures for electronics italtronic.com					Description: PANNELLO MODULBOX CON CERNIERE 9M TRASPARENTE PANEL MODULBOX WITH HINGES 9M TRANSPARENT
Drawing nr.: 2_250_03838				Rev.: 00	A3