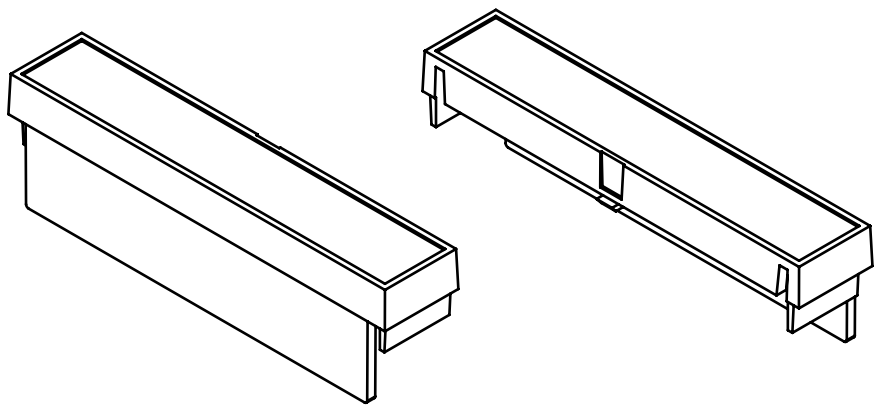




SECTION A-A



General Tolerance UNI EN 22768/1 Media (m)					Sheet:	
from 0.5 to 3 ± 0.1	from 3 to 6 ± 0.1	from 6 to 30 ± 0.2	from 30 to 120 ± 0.3	from 120 to 400 ± 0.5	1	
Scale: 1:1	Drawn: R.N.	Checked: R.N.	Date: 22/08/2022	Material: PC/ABS	Process: INJECTION	
Dimension in mm				Weight: 4.66 gr	Cod. Mold: ST.05CV000	
 The present drawing cannot be reproduced or communicated to 3rd parties, even partially, without the authorization of ITALTRONIC Srl. Italtronic reserves to protect its own rights according to the law.				Description: COPRIMORSETTO MODULBOX SENZA FORATURA 4MPN TERMINAL COVER WITHOUT HOLES 4MPN		
Drawing nr.:				Rev.:		
2_250_03639				00 A4		

General information:

-  Workpiece zero point for mechanical processing
- Minimum recommended radius for machining = R1.0 mm