

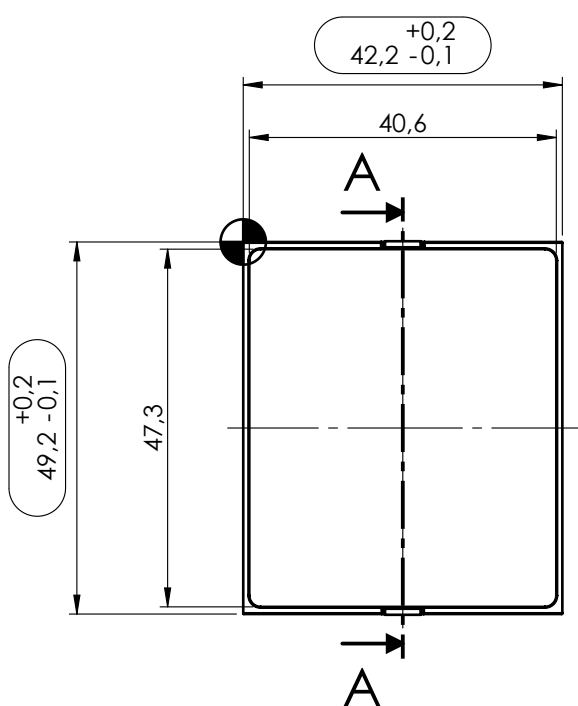
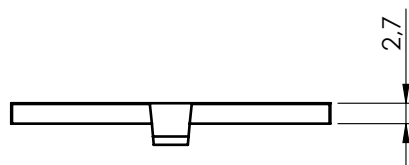
4

3

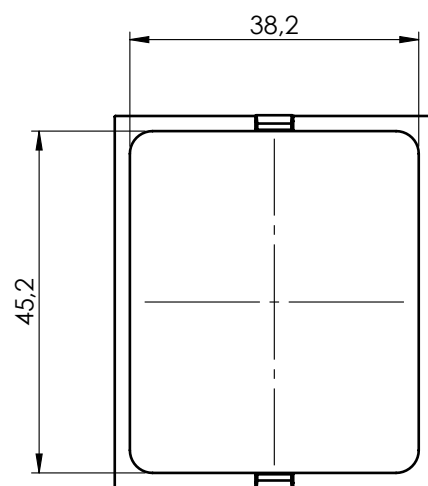
2

1


Revisions			
Rev.	Description	Date	Mod. by
1	Aggiornato disegno	09/07/2024	M.S.

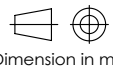



SECTION A-A



General information:

-  Workpiece zero point for mechanical processing
- Minimum recommended radius for machining = R1.0 mm

General Tolerance UNI EN 22768/1 Media (m)					Sheet:	
from 0.5 to 3	from 3 to 6	from 6 to 30	from 30 to 120	from 120 to 400	1	
± 0.1	± 0.1	± 0.2	± 0.3	± 0.5	Process:	
Scale:	IM:	Drawed:	Checked:	Date:	Material:	INJECTION
1:1	--		R.N.	31/05/2023	PC/ABS-PC	
 Dimension in mm		Replaces the: M-00350-04		Derived from:	Weight: 5.02 gr	Cod. Mold: ST.0511400
 italtronic enclosures for electronics italtronic.com			Description: PANNELLO MODULBOX CON CORNICE 3M PANEL MODULBOX WITH FRAME 3M			Drawing nr.: 2_250_03703
					Rev.:	A4
					01	

4

3

2

1