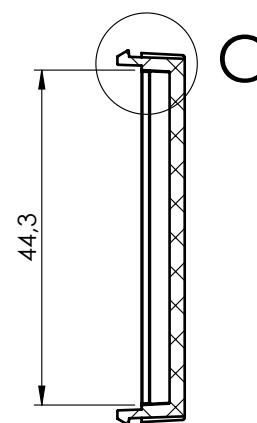
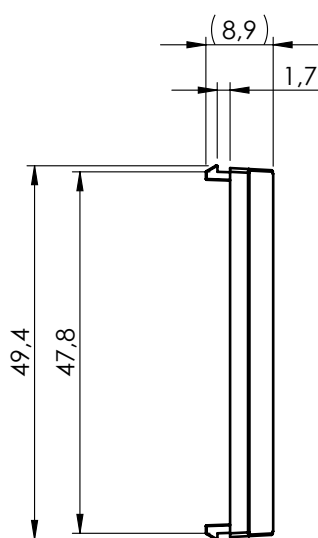
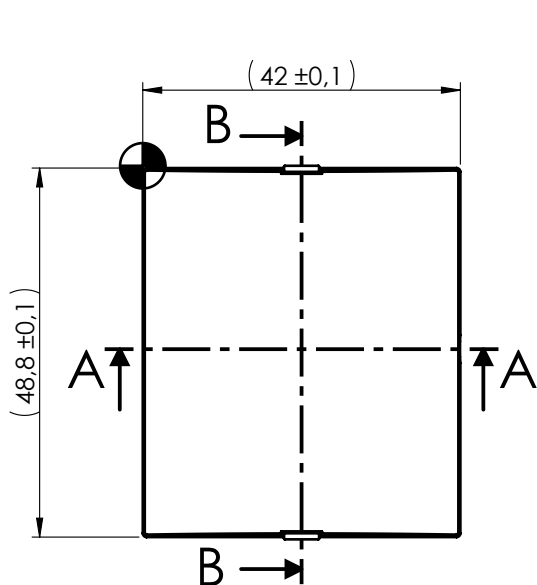
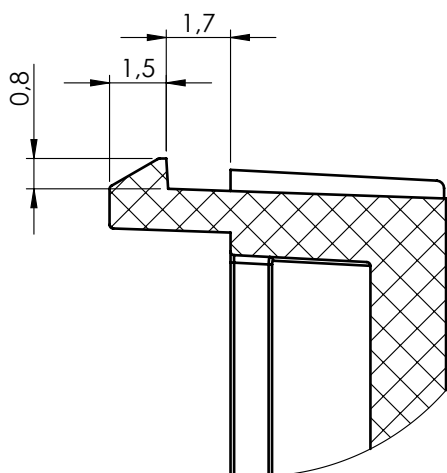



SECTION A-A

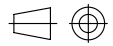



SECTION B-B



DETAIL C
SCALE 5 : 1

General information:
 -  Workpiece zero point for mechanical processing
 - Minimum recommended radius for machining = R1.0 mm

General Tolerance UNI EN 22768/1 Media (m)					Sheet:	
from 0.5 to 3 ± 0.1	from 3 to 6 ± 0.1	from 6 to 30 ± 0.2	from 30 to 120 ± 0.3	from 120 to 400 ± 0.5	1	
Scale: 1:1	Drawn:	Checked: R.N.	Date: 07/06/2023	Material: PC/ABS-PC	Process: INJECTION	
 Dimension in mm		Derived from: --	Weight: 5.71 gr		Cod. Mold: ST.0525000	
 italtronic enclosures for electronics italtronic.com			Description: PANNELLO CURVO MODULBOX 3M CURVED PANEL MODULBOX 3M			
Drawing nr.: 2_250_03714				Rev.:	00 A4	