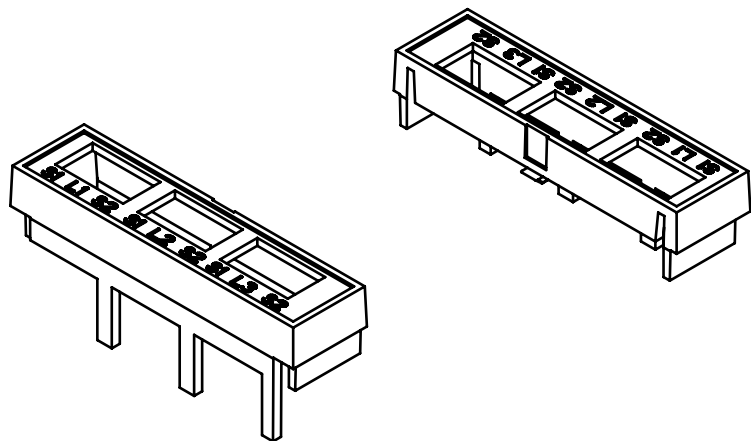


SECTION A-A



General Tolerance UNI EN 22768/1 Media (m)					Sheet:	
from 0.5 to 3 ± 0.1	from 3 to 6 ± 0.1	from 6 to 30 ± 0.2	from 30 to 120 ± 0.3	from 120 to 400 ± 0.5	1	
Scale: 1:1	Drawn: M.S.	Checked: R.N.	Date: 14/06/2023	Material: PC/ABS	Process: INJECTION	
Dimension in mm 	Derived from: --			Weight: 2.50 gr	Cod. Mold: ST.05CN000	
 italtronic enclosures for electronics italtronic.com				Description: COPRIMORSETTO SPECIALE 3M-CM078 TERMINAL COVER MODULBOX 3M-CM078		
Drawing nr.:				Rev.:		
2_250_03778				00		A4

General information:

- Workpiece zero point for mechanical processing
- Minimum recommended radius for machining = R1.0 mm