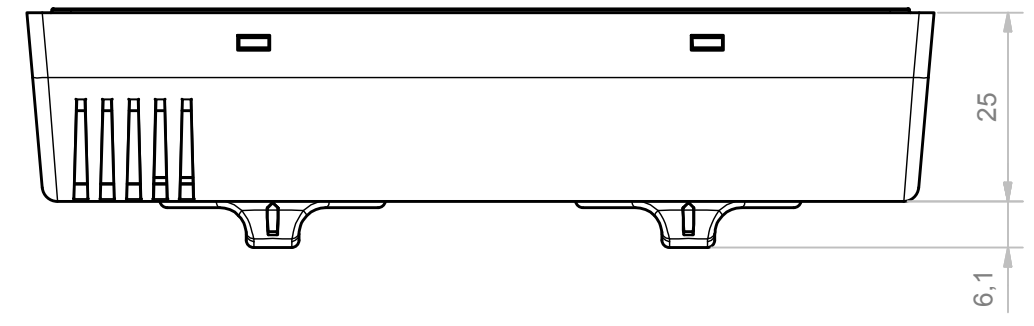
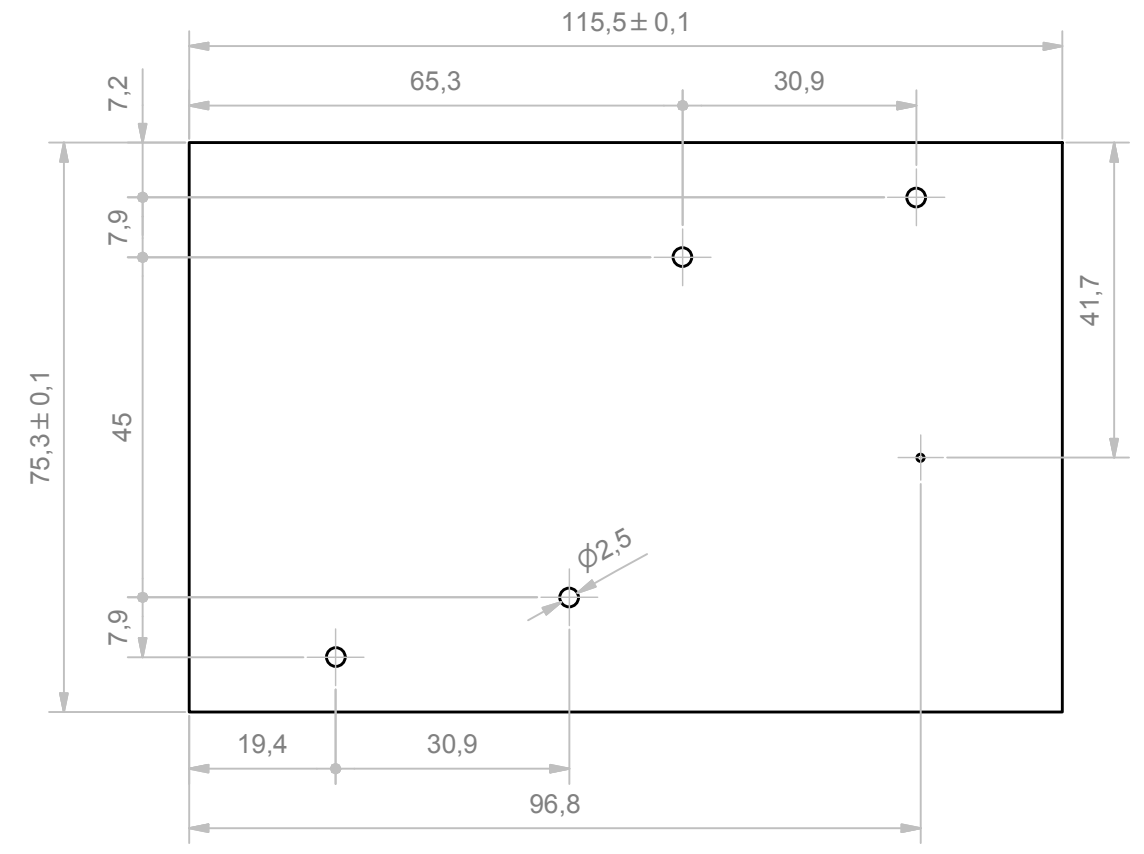
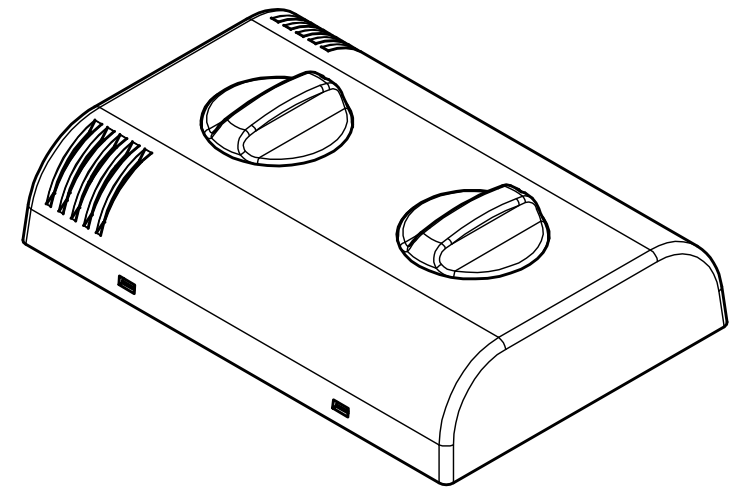
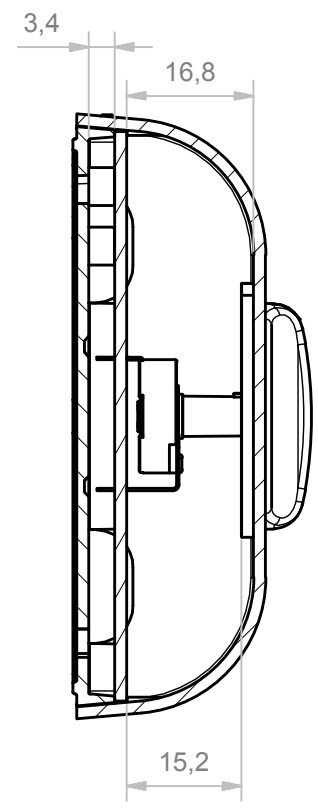


A-A (1:1)



RIF.	Q.TY	DESCRIPTION	CODE
1	2	KNOB D30 MM	V-01382
2	2	PIN THERMO	V-01384
3	1	COVER THERMO 120 WITH 2 HOLES FOR KNOB D30	
4	1	BASE THERMO 120 WITH SPACERS	V-01381

RESERVED PROPERTY: The present drawing cannot be reproduced or communicated to 3d parties, even partially, without the authorization of ITALTRONIC Srl. Italtronic reserves to protect its own rights according to the law.

GENERAL TOLERANCE	<b>UNI EN 22768/1 Media (m)</b>	Drawn:	Checked:	Revision description
SHEET NR.	Dimension in mm	DRAWING BY	Rigato N.	Fanin F.
1 / 1		 Manual modification are not allowed	Date: 07/03/2017	Replace nr.
Denomination:		COMPLETE ENCLOSURE THERMO 120 WITH 2 KNOBS D30 AND SPACERS		
		ITALTRONIC S.R.L. VIA AUSTRIA 25/D 35127 PADOVA - ITALY www.italtronic.com		Drawing nr. <b>T-06831-00</b>

5 4 3 2 1

Scale: 1 : 1

Part number:

Drawing nr.  
**T-06831-00**