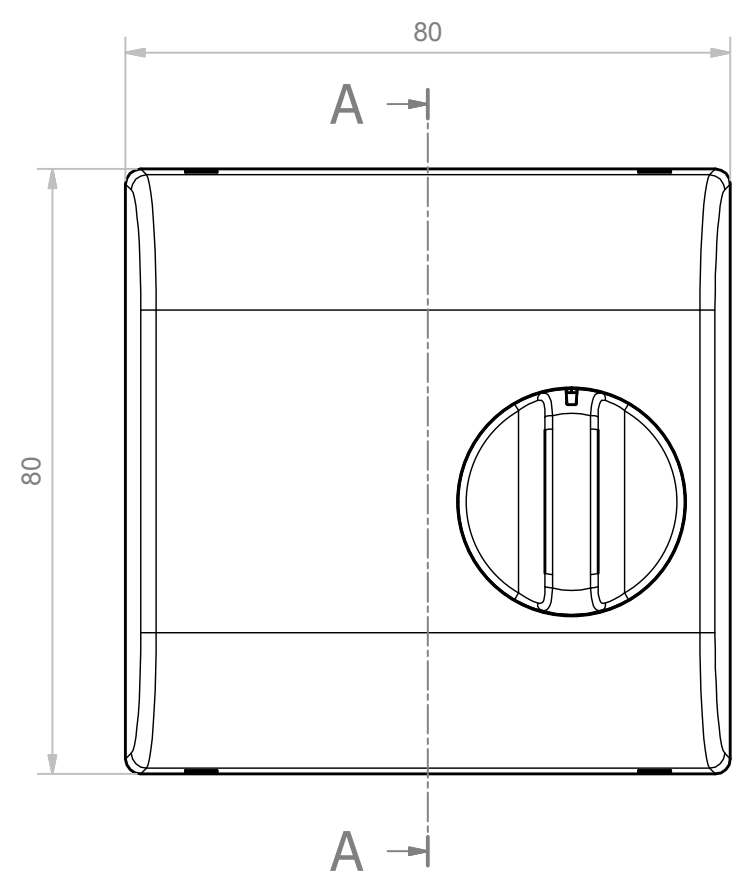
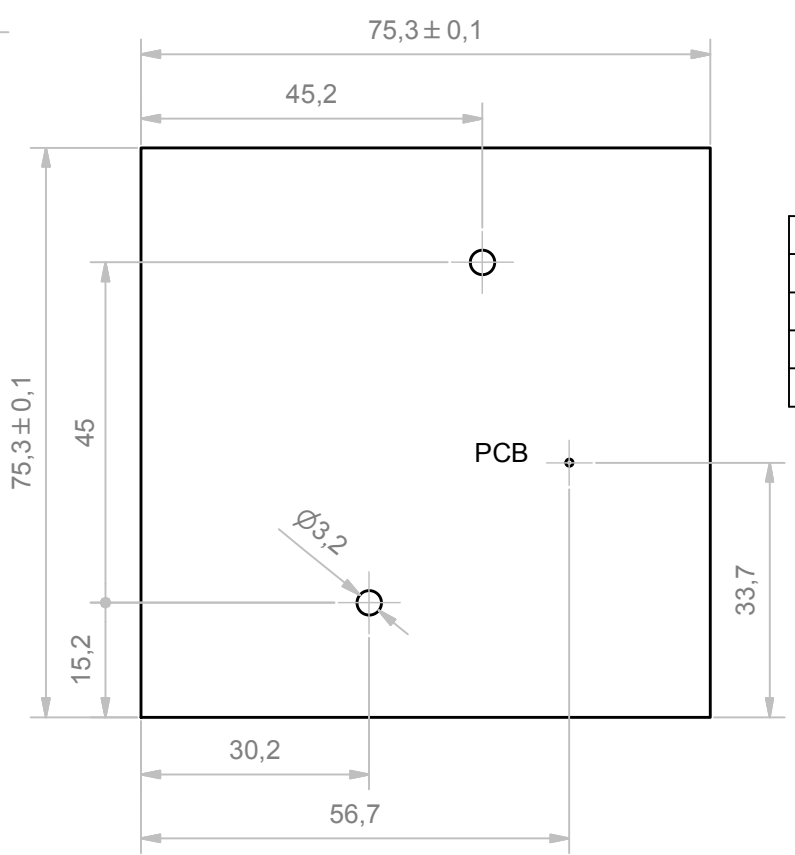
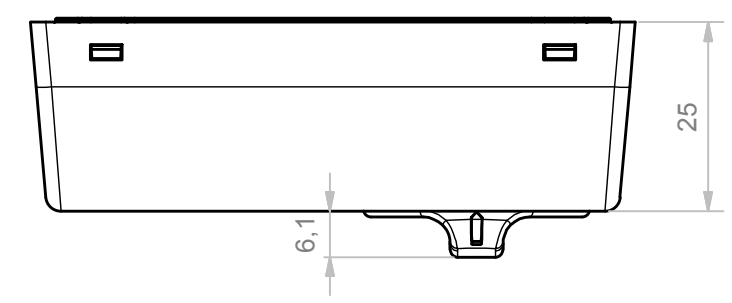
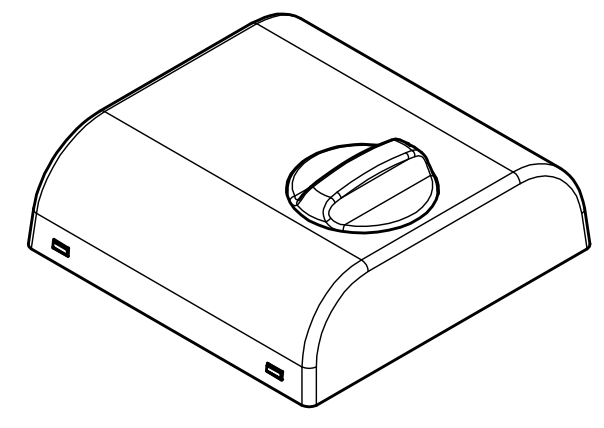
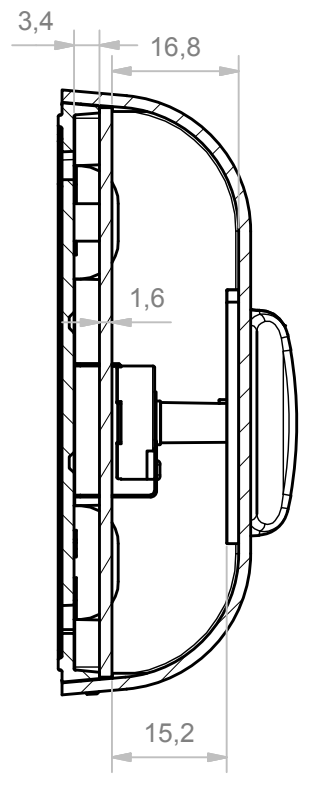


6 | 5 | 4 | 3 | 2 | 1



A-A (1:1)



RIF.	Q.TY	DESCRIPTION	CODE
1	1	KNOB D30 MM	V-01382
2	1	COVER THERMO 80 CLOSED WITH HOLE FOR KONB D30	T-02535
3	1	PIN THERMO	V-01384
4	1	BASE THERMO 80 WITH SPACERS 4 MM	V-01378

RESERVED PROPERTY: The present drawing cannot be reproduced or communicated to 3d parties, even partially, without the authorization of ITALTRONIC Srl. Italtronic reserves to protect its own rights according to the law.

GENERAL TOLERANCE	UNI EN 22768/1 Media (m)	Drawn:	Checked:	Revision description
SHEET NR.	Dimension in mm	DRAWING BY	Rigato N.	Fanin F.
1 / 1		 Manual modification are not allowed	Date: 03/03/2017	Replace nr.
 UN PARTNER PER IL FUTURO		Denomination: COMPLETE ENCLOSURE THERMO 80 WITH KNOB AND SPACERS		
		Drawing nr. T-06809-00		

ITALTRONIC S.R.L.
VIA AUSTRIA 25/D 35127
PADOVA - ITALY
www.italtronic.com

D
C
B
A

D
C
B
A

6 | 5 | 4 | 3 | 2 | 1