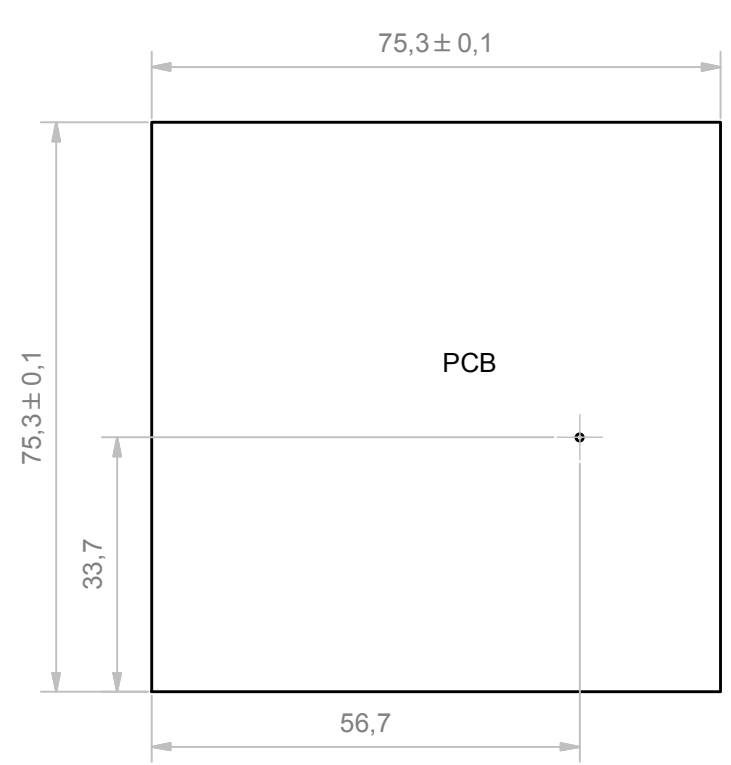
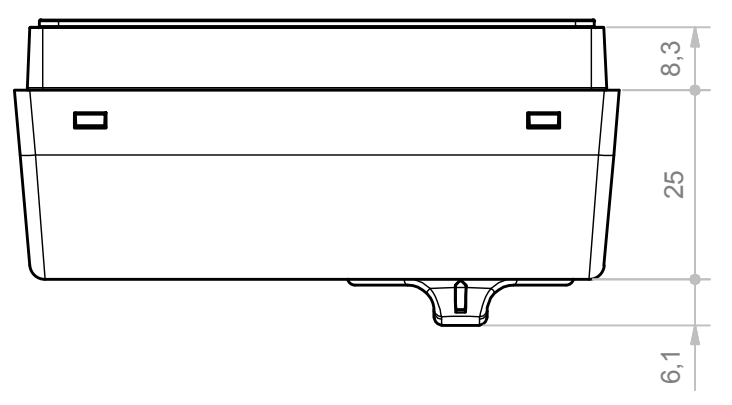
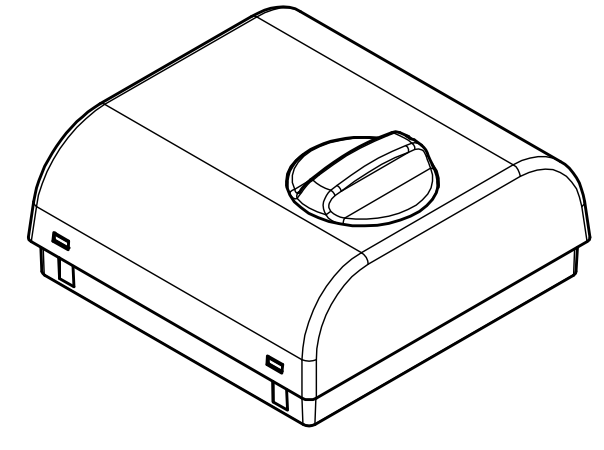
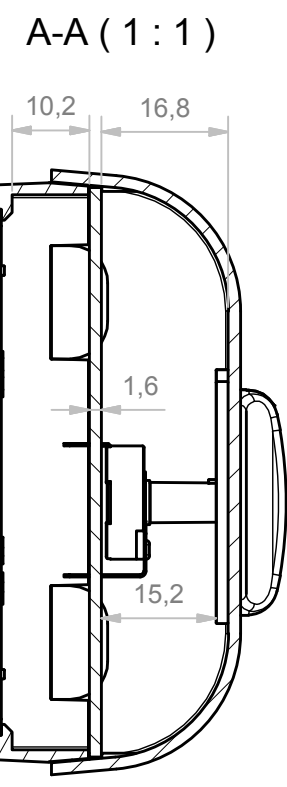
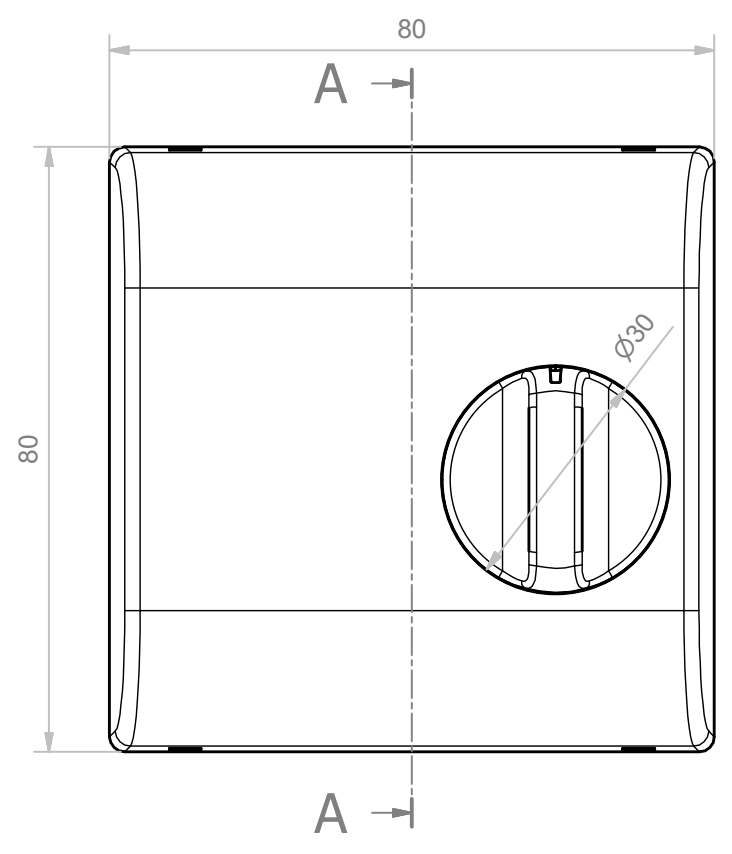


6 | 5 | 4 | 3 | 2 | 1



RIF.	Q.TY	DESCRIPTION	CODE
1	1	COVER THERMO 80 CLOSED WITH HOLE FOR KONB D30	T-02535
2	1	KNOB D30 MM	V-01382
3	1	BASE THERMO 80 CSF 14	T-02685
4	1	PIN THERMO	V-01384

RESERVED PROPERTY: The present drawing cannot be reproduced or communicated to 3d parties, even partially, without the authorization of ITALTRONIC Srl. Italtronic reserves to protect its own rights according to the law.

GENERAL TOLERANCE	UNI EN 22768/1 Media (m)	Drawn:	Checked:	Revision description
SHEET NR.	1 / 1	Dimension in mm	Rigato N.	Fanin F.
DRAWING BY		Date:	Replace nr.	Part number:
GAP		02/03/2017		
Manual modification are not allowed		Denomination:		
		COMPLETE ENCLOSURE THERMO 80 CLOSED CSF WITH KNOB D30		
				Drawing nr.
UN PARTNER PER IL FUTURO www.italtronic.com		VIA AUSTRIA 25/D 35127 PADOVA - ITALY www.italtronic.com		T-06813-00

5 4 3 2 1

Scale: 1 : 1

D
C
B
A

D
C
B
A

6 | 5 | 4 | 3 | 2 | 1