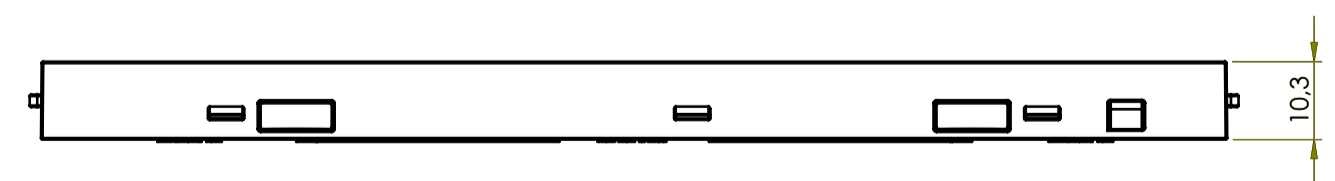
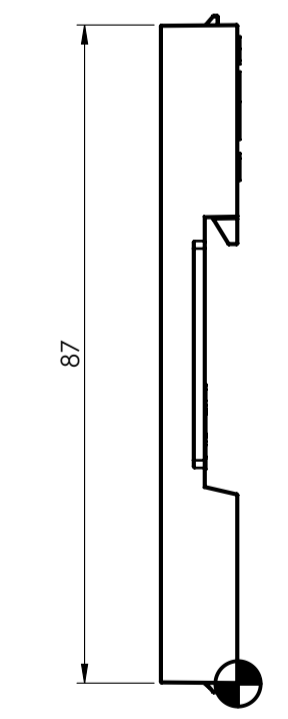
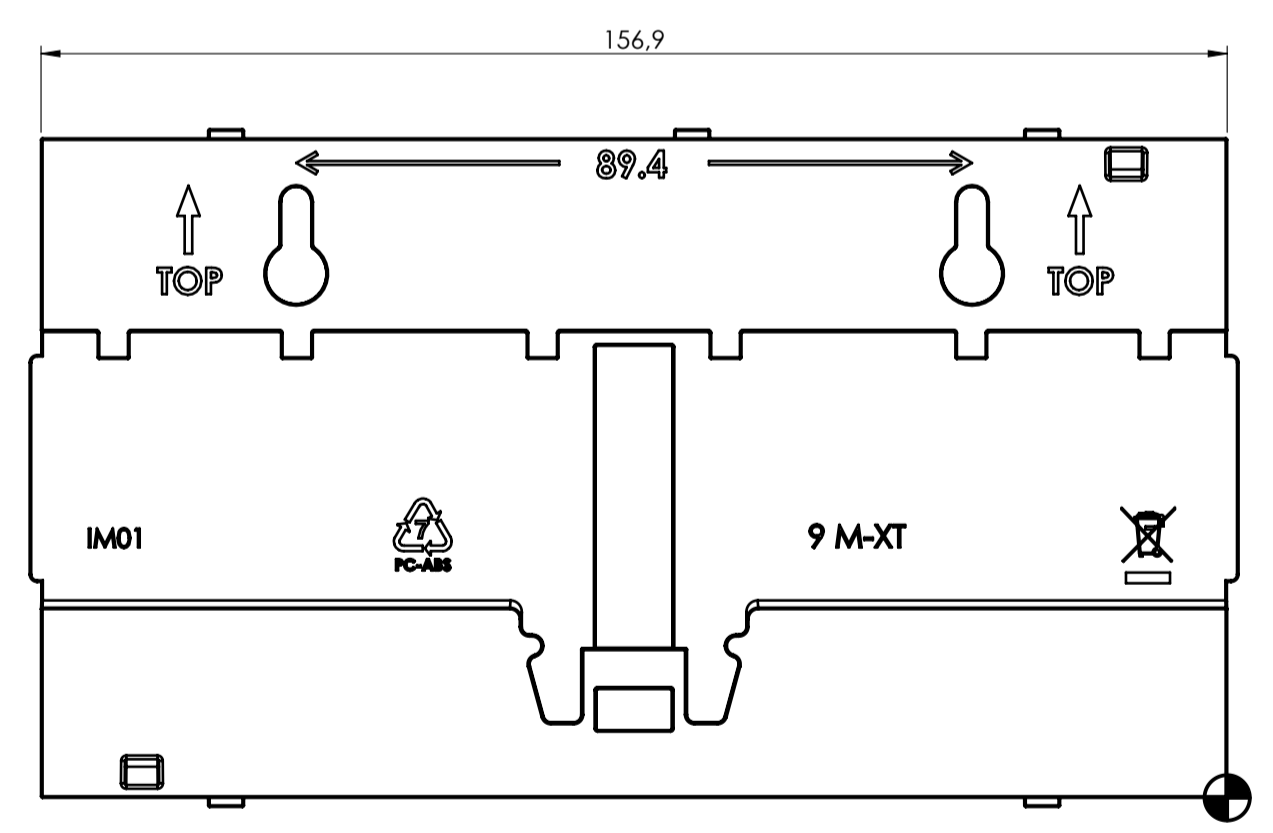
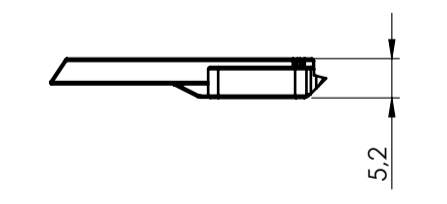
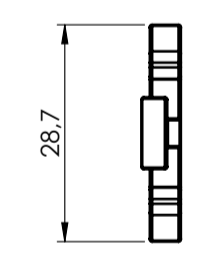
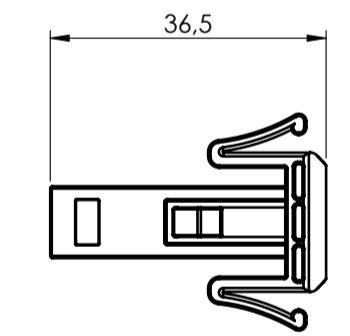


BASE



HOOK

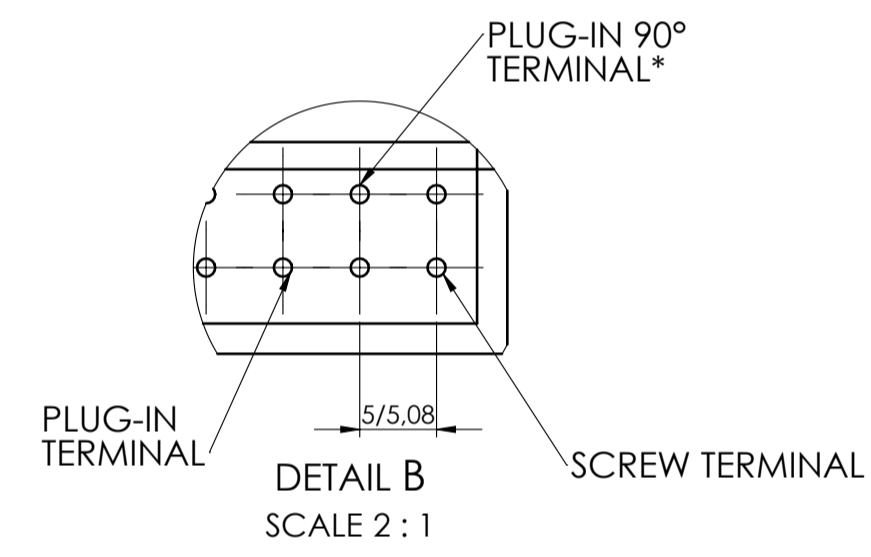
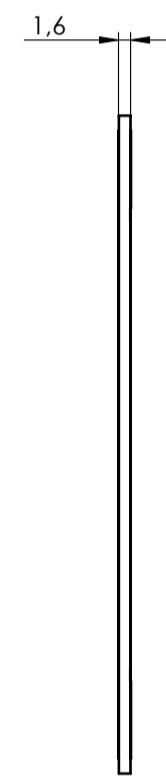
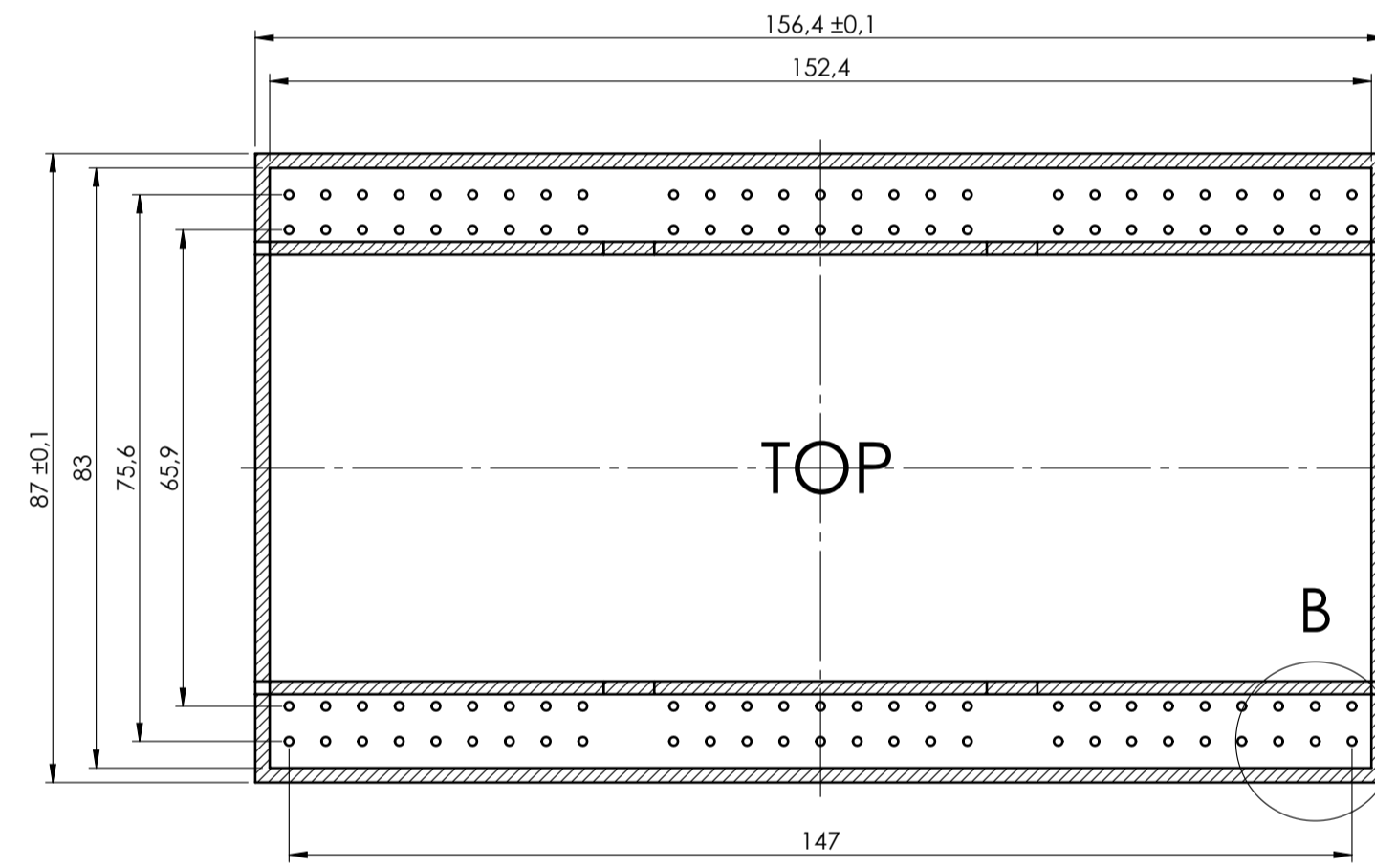


General information:  
 ● Workpiece zero point for mechanical processing  
 - Minimum recommended radius for machining = R1.0 mm  
 - Mounting rail like EN 60715: TH 35-7.5 or TH 35-15  
 - Recommended PCB outline on [www.italtronic.com](http://www.italtronic.com)  
 - Medium thickness = 1.5 mm

| General Tolerance 198 EN 22768/1 Media [m]                                                                                          |             |                          |                  | Sheet:          |           |
|-------------------------------------------------------------------------------------------------------------------------------------|-------------|--------------------------|------------------|-----------------|-----------|
| from 0.5 to 3                                                                                                                       | from 3 to 6 | from 6 to 30             | from 30 to 120   | from 120 to 400 | 1         |
| ±0.1                                                                                                                                | ±0.1        | ±0.2                     | ±0.3             | ±0.5            |           |
| Scale: 1:1                                                                                                                          | IM: M.S.    | Checked: R.N.            | Date: 14/03/2024 | Material:       | Process:  |
| Dimension in mm                                                                                                                     |             | Replaces the: M-05184-01 | Derived from:    | Weight: gr      | Cod. Mod: |
| Description:                                                                                                                        |             |                          |                  |                 |           |
| <br>KIT CONTENITORE MODULBOX XTS COMPACT 9MHC33-8<br>KIT ENCLOSURE MODULBOX XTS COMPACT 9MHC33-8<br>Drawing ref: <b>3_250_00018</b> |             |                          |                  | Rev: 00 A1      |           |

PCB A

Max height of the terminal:  
Modulbox XT/XTS: 18.5 mm



| General Tolerance IIR EN 22768/1 Media [m]                                                                |                          |               |                  |                 | Sheet:     |
|-----------------------------------------------------------------------------------------------------------|--------------------------|---------------|------------------|-----------------|------------|
| from 0.5 to 3                                                                                             | from 3 to 6              | from 6 to 30  | from 30 to 120   | from 120 to 400 | PCB        |
| ± 0.1                                                                                                     | ± 0.1                    | ± 0.2         | ± 0.3            | ± 0.5           | Process:   |
| Scale: 1:1                                                                                                | Drawn: M.S.              | Checked: R.N. | Date: 14/03/2024 | Material:       | Process:   |
| Dimension in mm                                                                                           | Replaces the: M-05184-01 | Derived from: | Weight: gr       | Cod. Mold:      |            |
| Description: KIT CONTENITORE MODULBOX XTS COMPACT 9MHC33-B<br>KIT ENCLOSURE MODULBOX XTS COMPACT 9MHC33-B |                          |               |                  |                 | Rev: 00 A1 |
| <br>NO COMPONENTS AREA<br>italtronic.com<br>3_250_00018                                                   |                          |               |                  |                 |            |