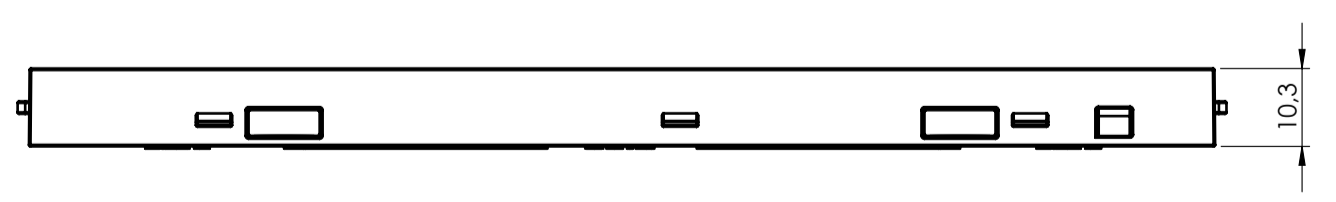
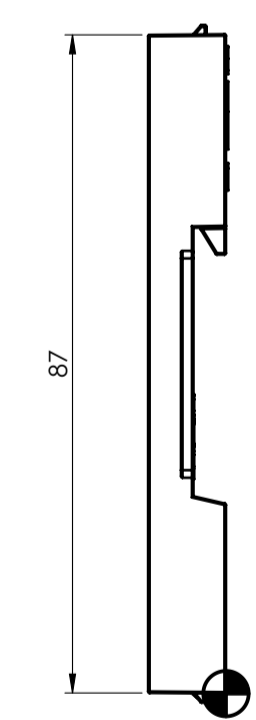
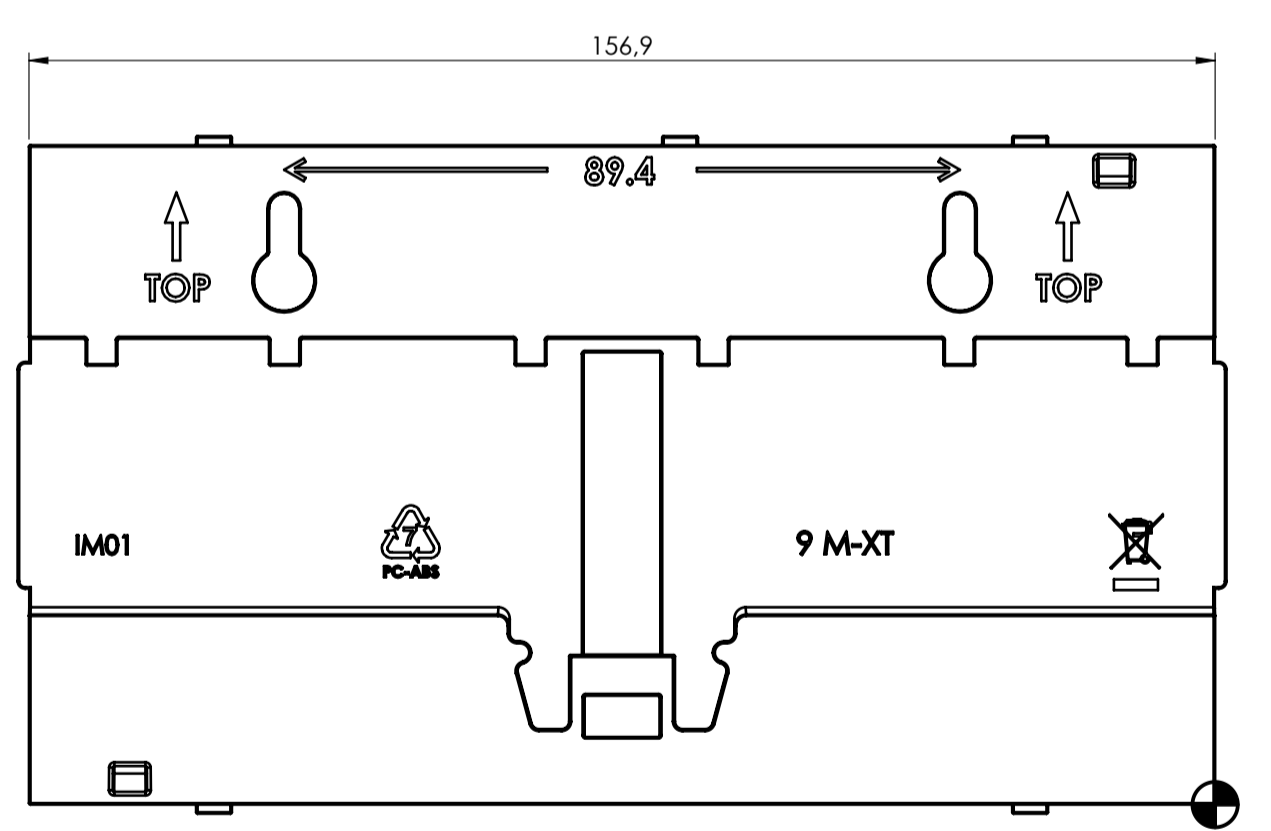
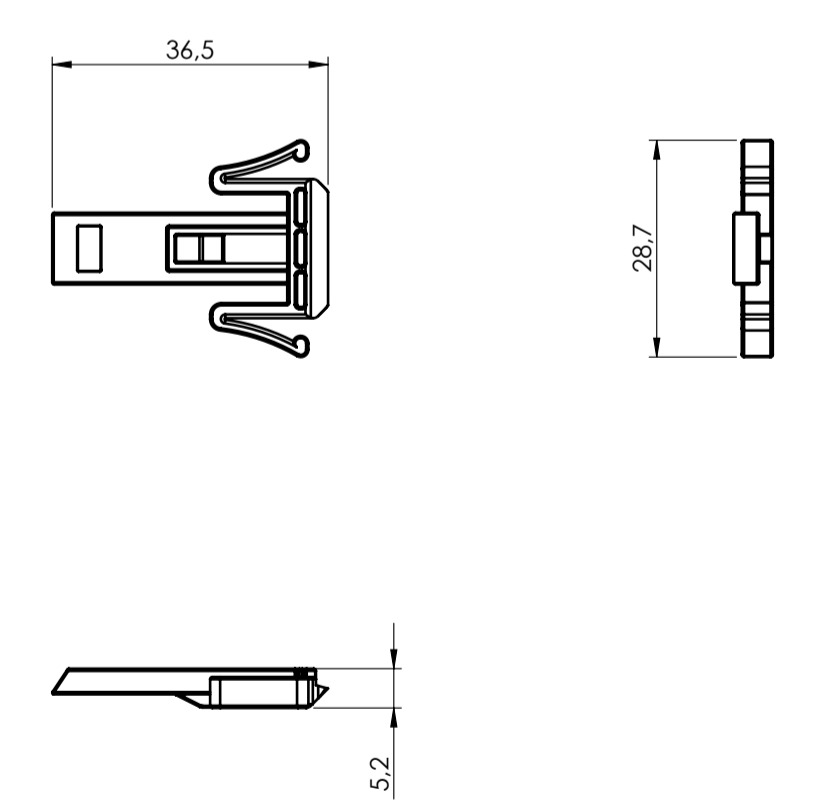


BASE



HOOK



General information:
 - Workpiece zero point for mechanical processing
 - Minimum recommended radius for machining = R1.0 mm
 - Mounting rail like EN 60715: TH 35-7.5 or TH 35-15
 - Recommended PCB outline on www.italtronic.com

RIF.	Q.TY	DRAWING	DESCRIPTION
1	1	2_250_00086	BASE 9M MODULBOX XT-XTS
2	1	2_250_00072	HOOK FOR MODULBOX XT-XTS
3	1	2_250_03666	BODY MODULBOX XTS 9MCS3-A CLOSED

General Tolerances IRIE EN 22768/1 (Media [mm])

from 0.5 to 3	from 3 to 6	from 6 to 30	from 30 to 120	from 120 to 400
± 0.1	± 0.1	± 0.2	± 0.3	± 0.5

Scale: 1:1
 Drawn by: R.N.
 Checked: R.N.
 Date: 04/05/2023
 Material: gr
 Process: --
 Cod. Mold: --

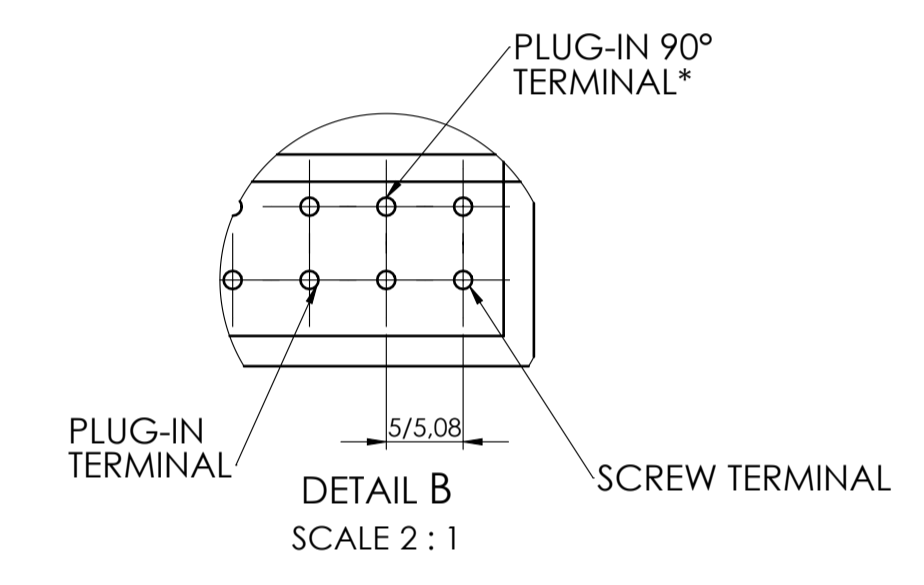
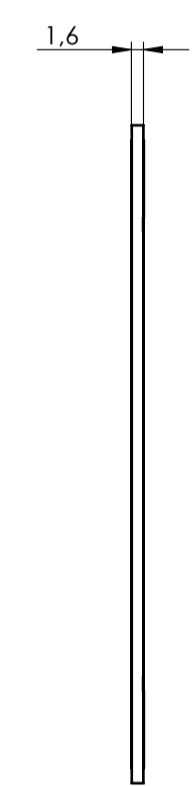
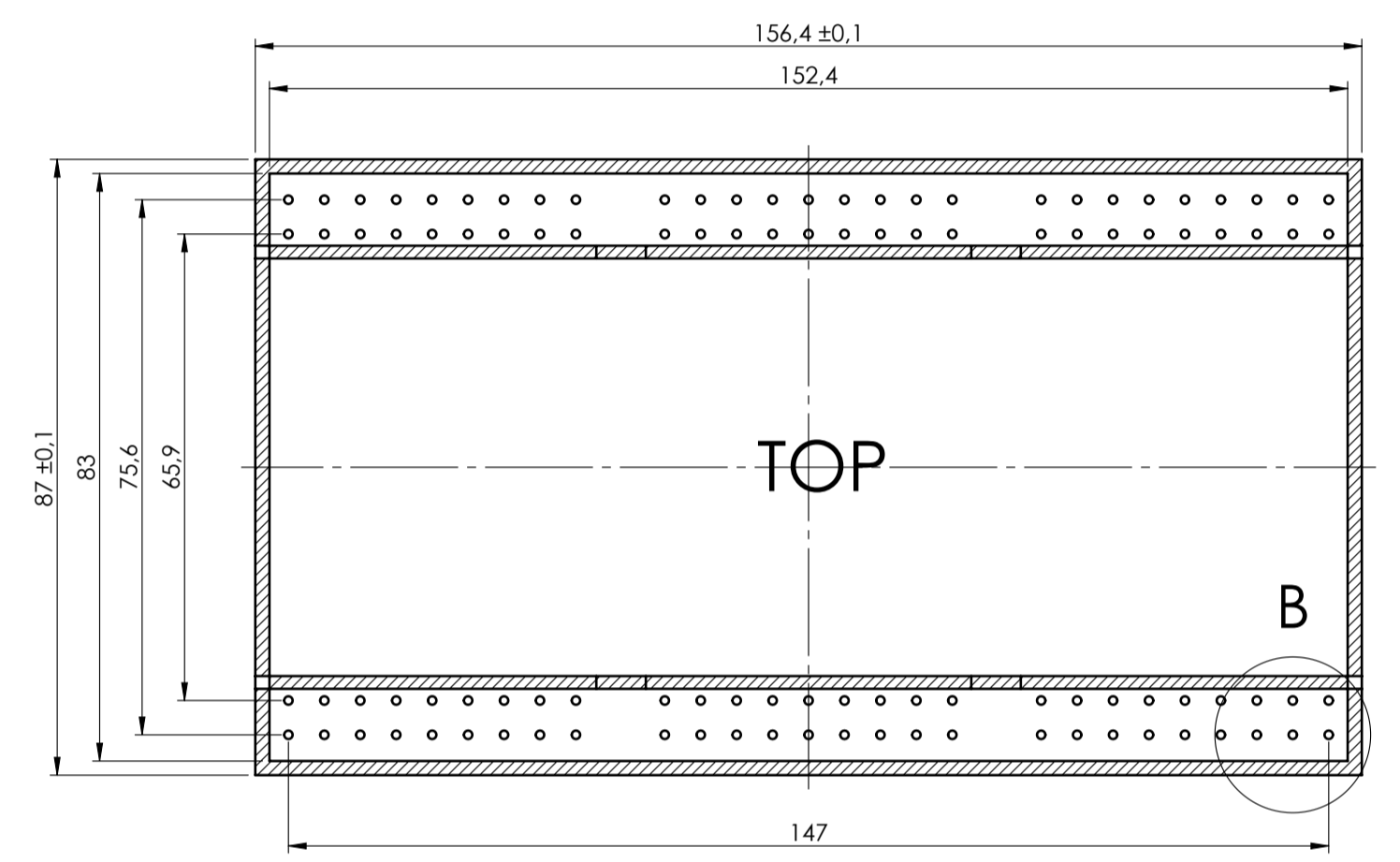
Dimension in mm

italtronic
 enclosures for electronics
italtronic.com

Description:
 KIT CONTENITORE MODULBOX XTS 9MCS3-A CHIUSO
 KIT ENCLOSURE MODULBOX XTS 9MCS3-A CLOSED
 Drawing n°: **3_250_00106**
 Rev: --
 A1

PCB A

Max height of the terminal:
Modulbox XT/XTS: 18,5 mm
Modulbox ONE: 20 mm



*To use the PLUG-IN terminals in Modulbox ONE use plug-in adapter P05000003E (5/5.08 pitch) and P05000004E (7.5/7.62 pitch)

General Tolerance IRI EN 22768/1 Media [m]				Sheet:	
from 0.5 to 3 ± 0.1	from 3 to 6 ± 0.1	from 6 to 30 ± 0.2	from 30 to 120 ± 0.3	from 120 to 400 ± 0.5	PCB
Scale:	1:1	Drawn:	R.N.	Date:	04/05/2023
Dimension in mm	Derived from:		Weight:	Cod. Mold:	--
Description:			KIT CONTENITORE MODULBOX XTS 9MCS3-A CHIUSO		
KIT ENCLOSURE MODULBOX XTS 9MCS3-A CLOSED			Drawing nr. 3_250_00106		
Rev.:			1		
Cod. Mod:			A1		

NO COMPONENTS AREA

