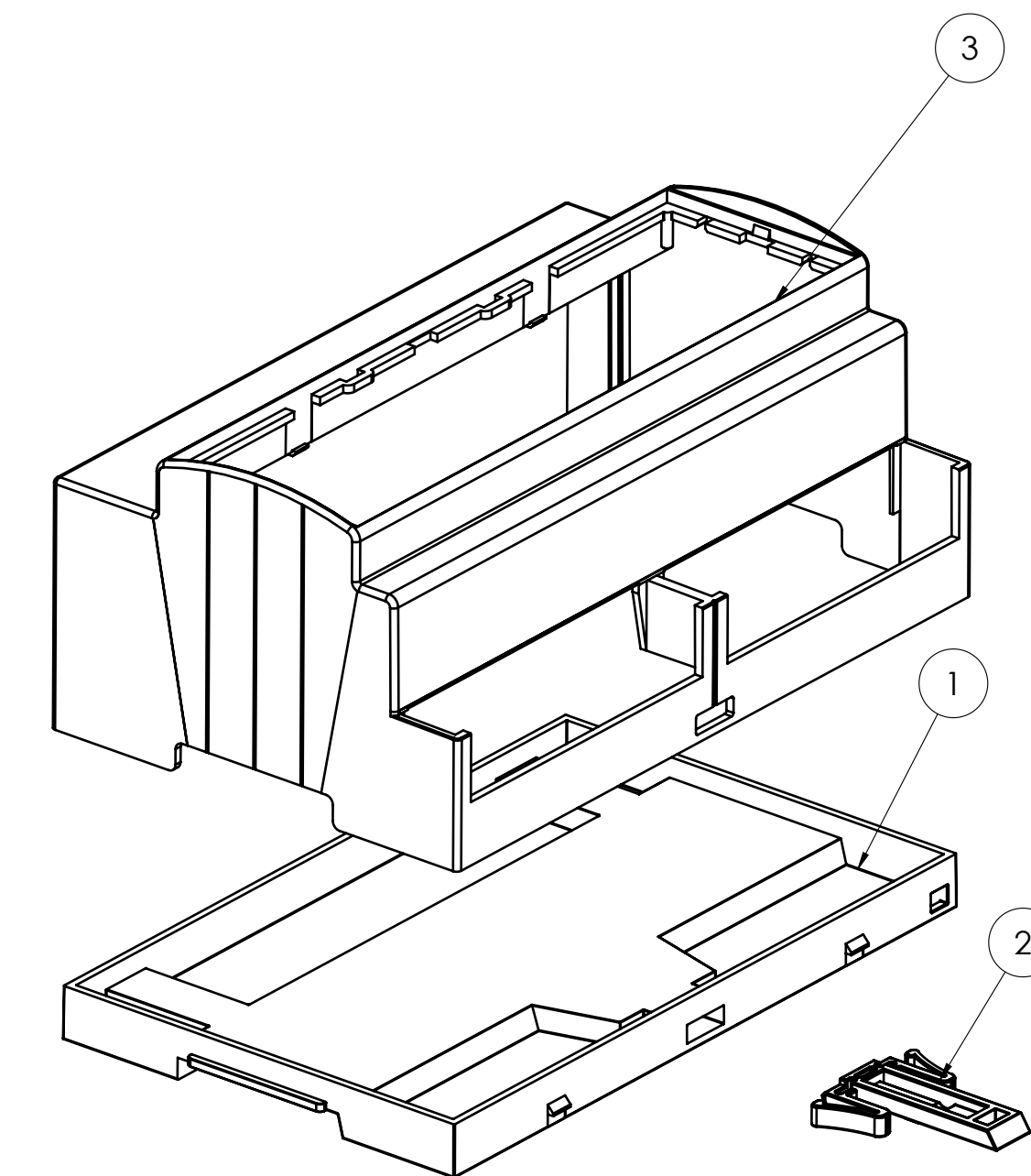
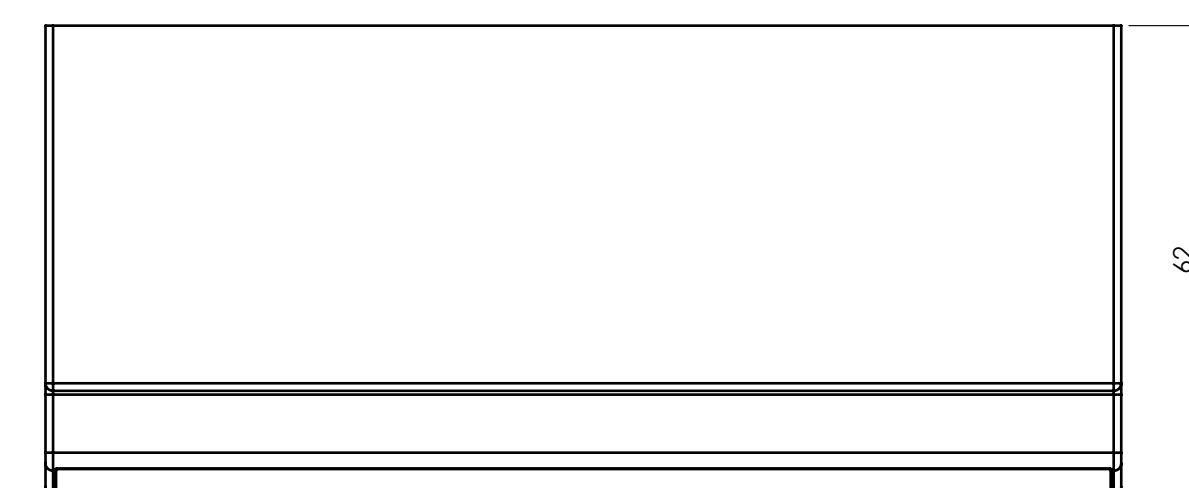
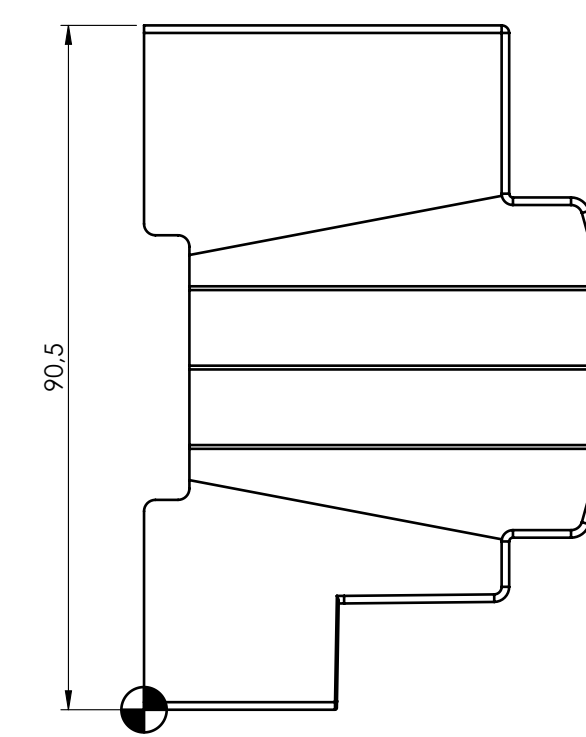
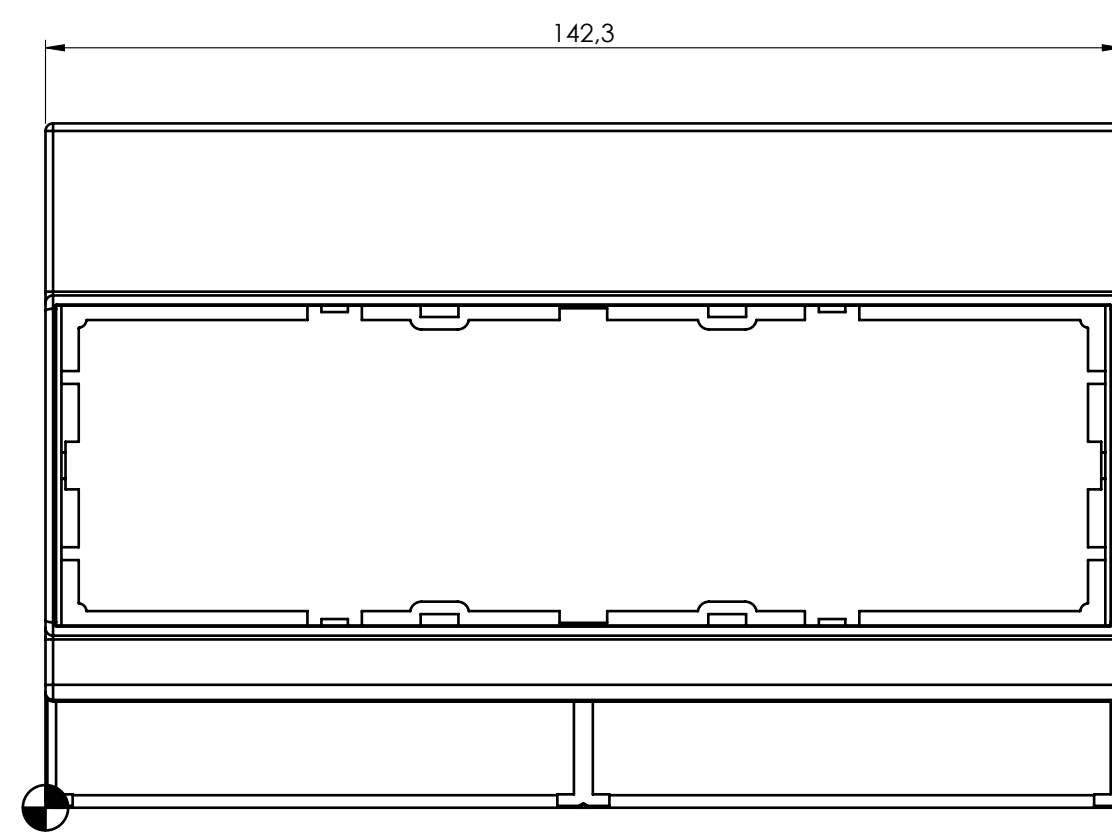
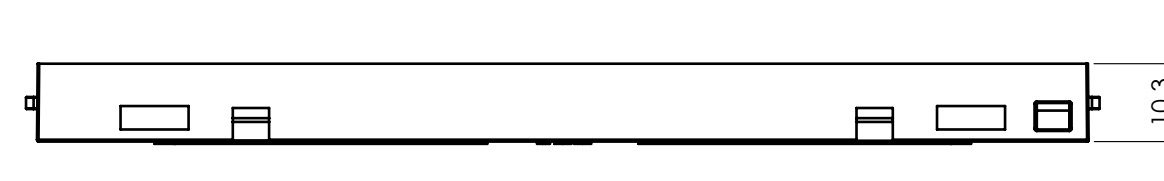
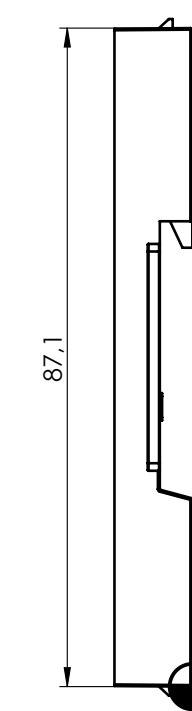
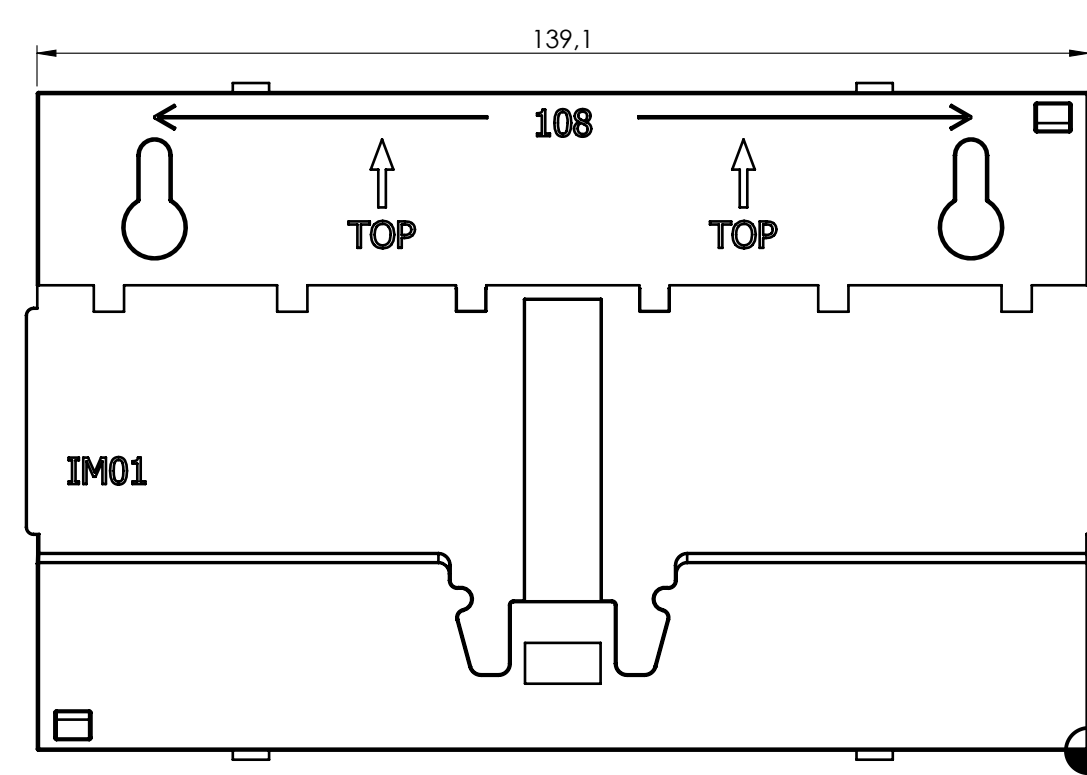
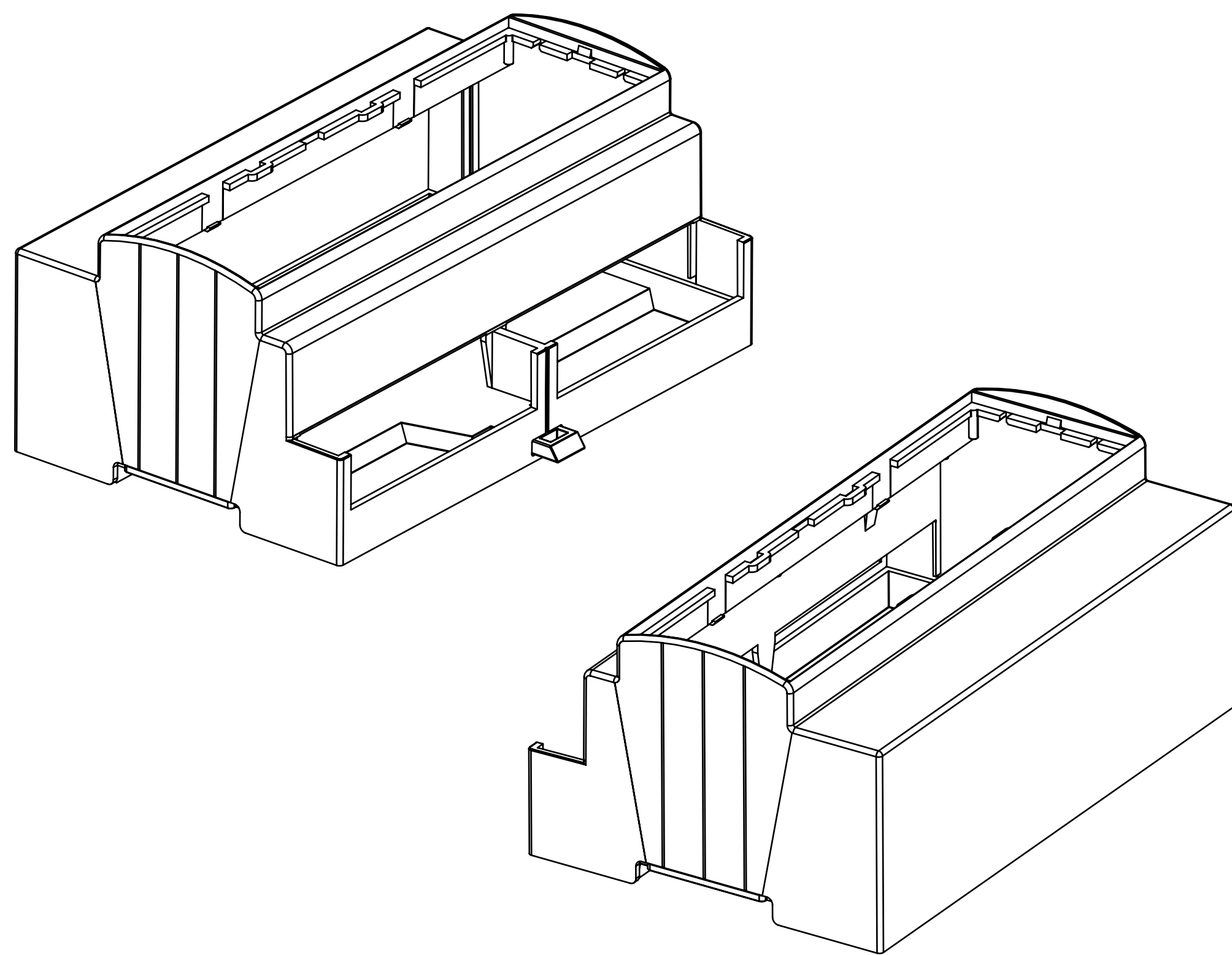


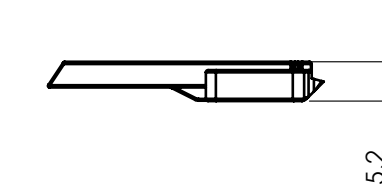
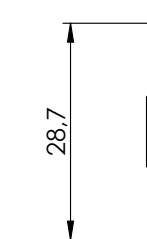
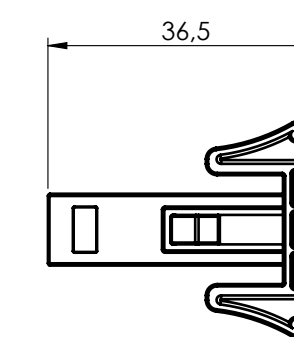
BODY ENCLOSURE



BASE



HOOK



General information:  
 - Workpiece zero point for mechanical processing  
 - Minimum recommended radius for machining = R1.0 mm  
 - Mounting rail like EN 60715; TH 35-7.5 or TH 35-15  
 - Recommended PCB outline on [www.italtronic.com](http://www.italtronic.com)

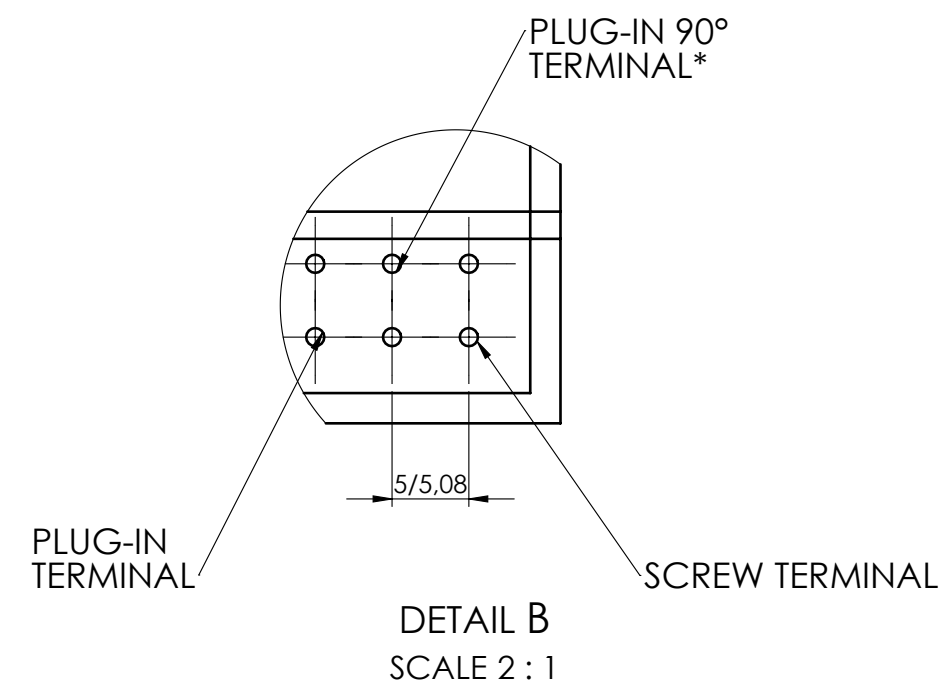
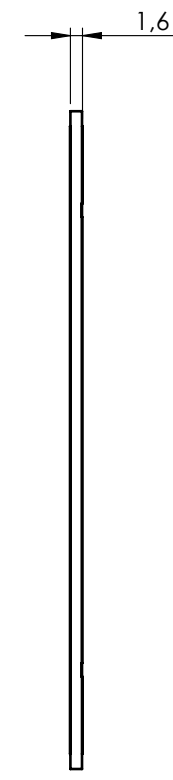
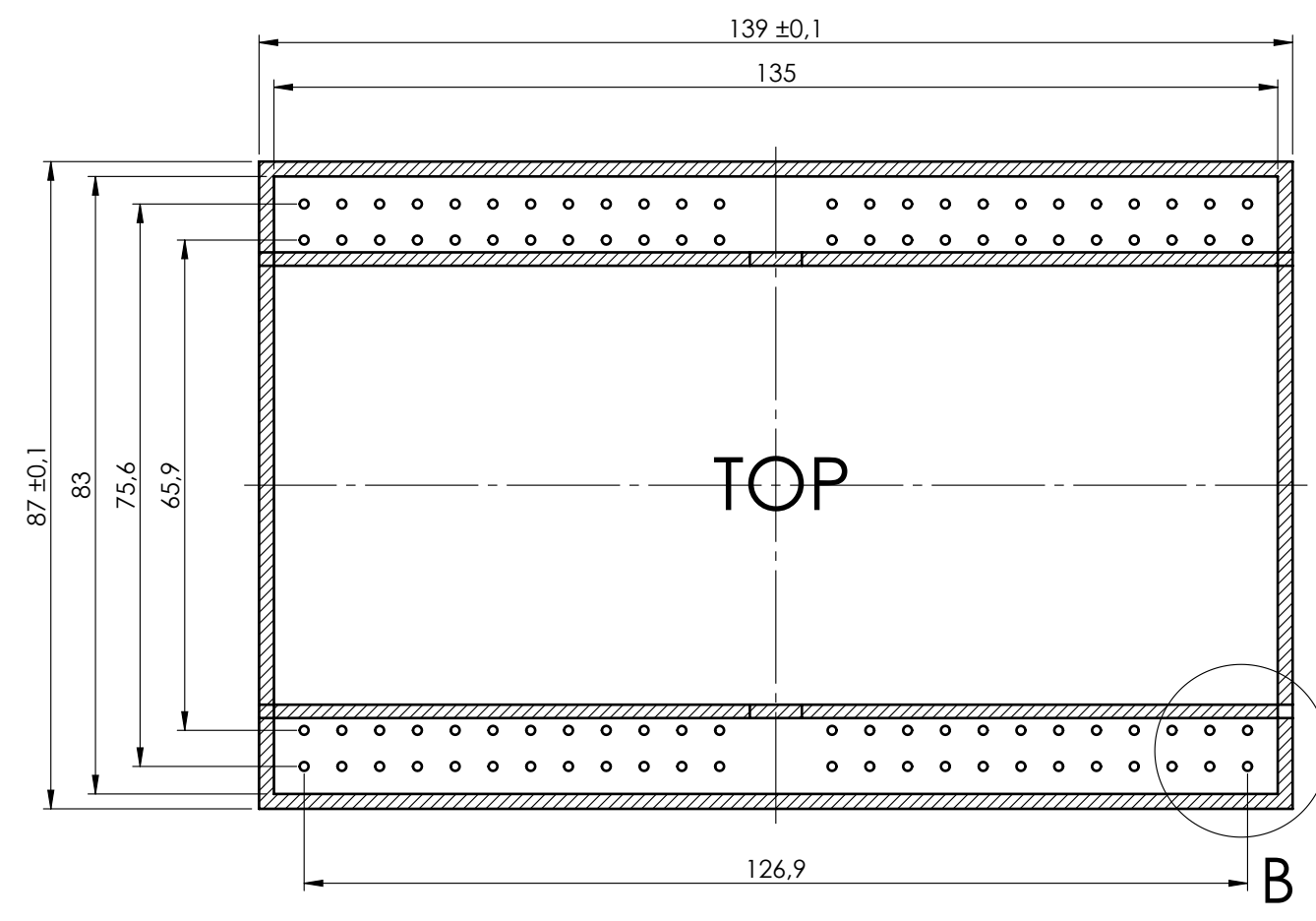
RIF.	Q.TY	DRAWING	DESCRIPTION
1	1	2_250_03649	BASE MODULBOX XT/XTS - BM
2	1	2_250_00072	HOOK FOR MODULBOX XT-XTS
3	1	2_250_03690	BODY MODULBOX XTS BM53-B

General Tolerances (RfE EN 22768/1) Medio [mm]

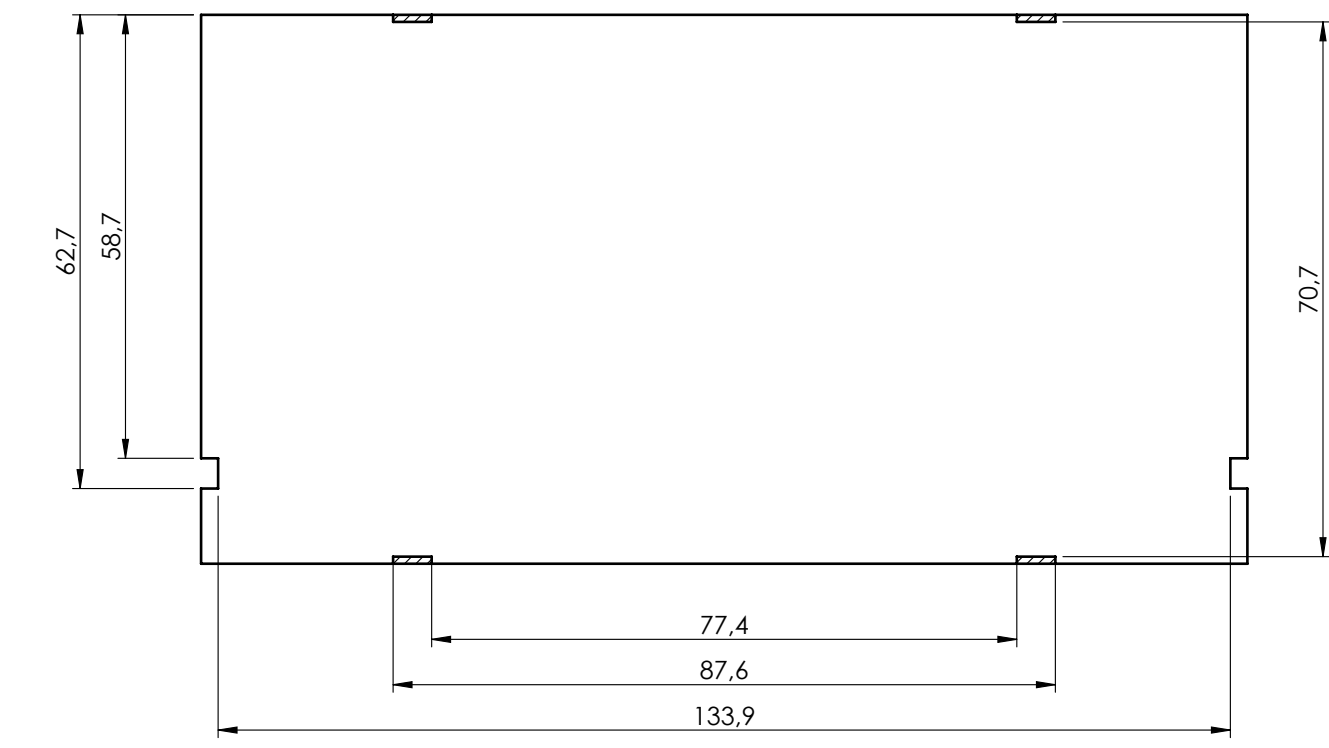
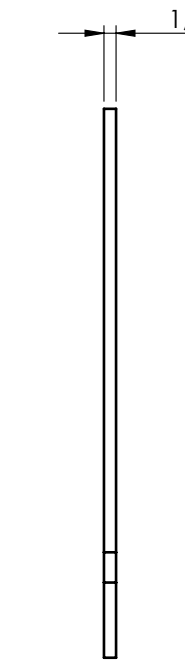
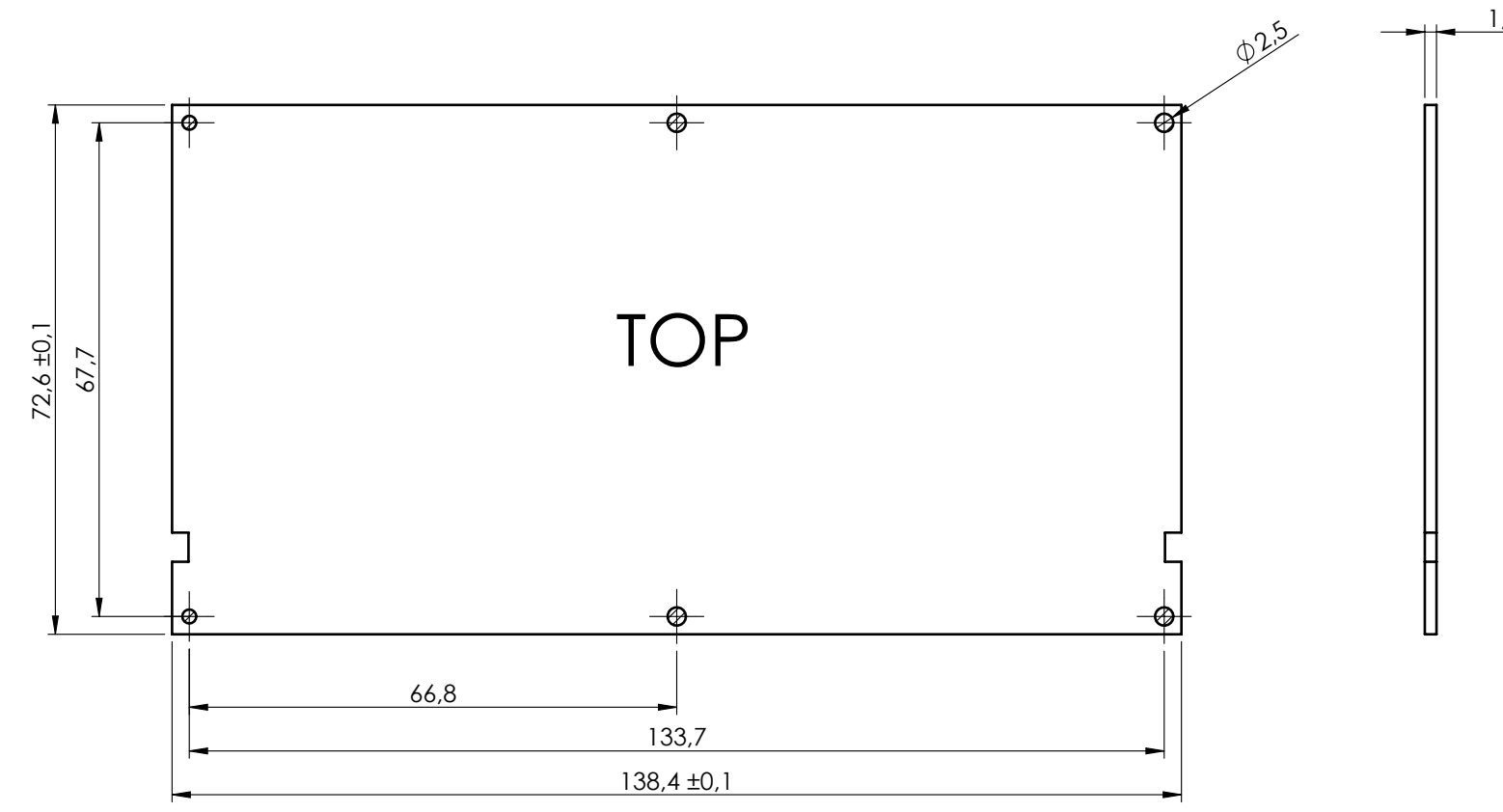
from 0.5 to 3	from 3 to 6	from 6 to 30	from 30 to 120	from 120 to 400
±0.1	±0.1	±0.2	±0.3	±0.5

Scale: 1:1  
 Drawn: R.N.  
 Checked: 18/05/2023  
 Date: 18/05/2023  
 Material: gr  
 Process: --  
 Description: KIT CONTENITORE MODULBOX XTS BMH53-B  
 KIT ENCLOSURE MODULBOX XTS BMH53-B  
 Drawing nr: 3\_250\_00117  
 Rev.: 00 A1

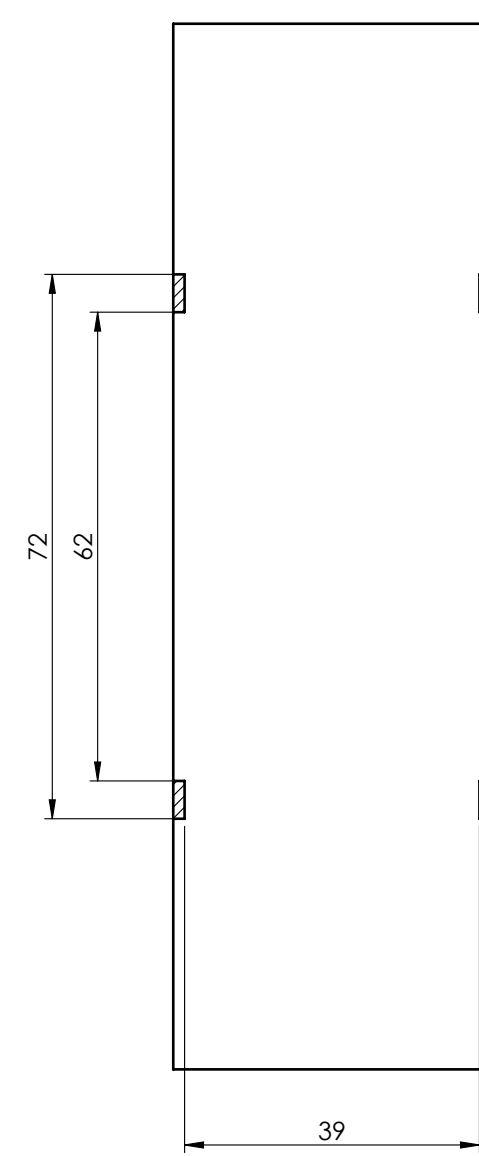
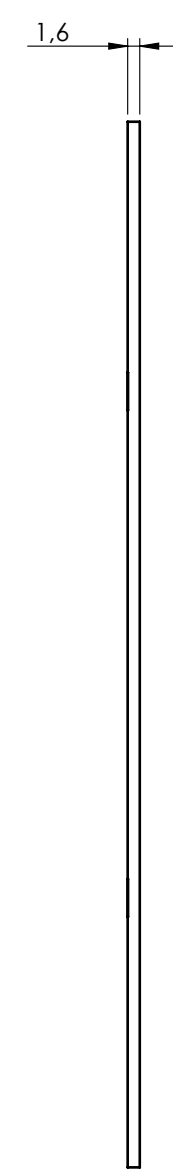
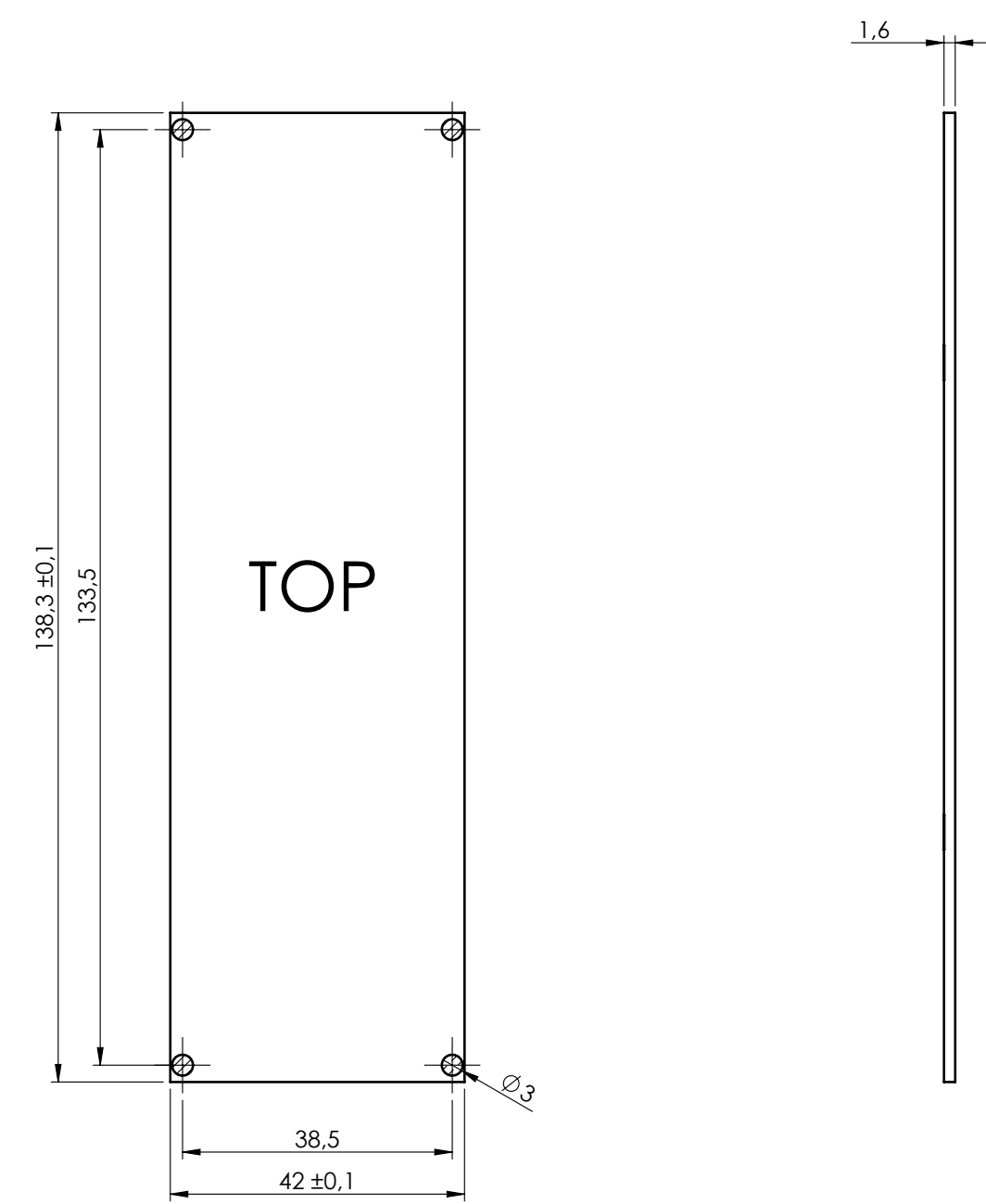
PCB A



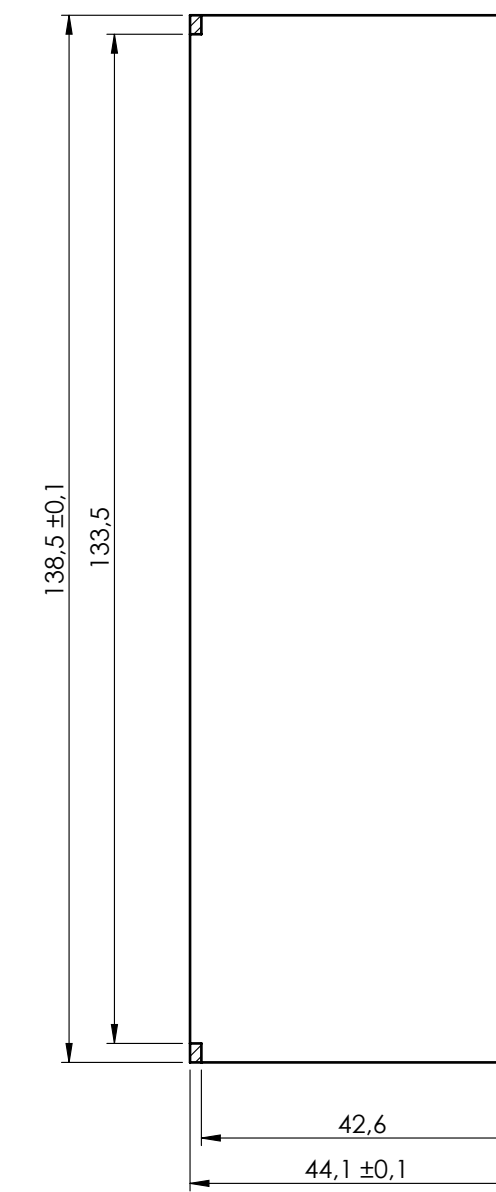
PCB B



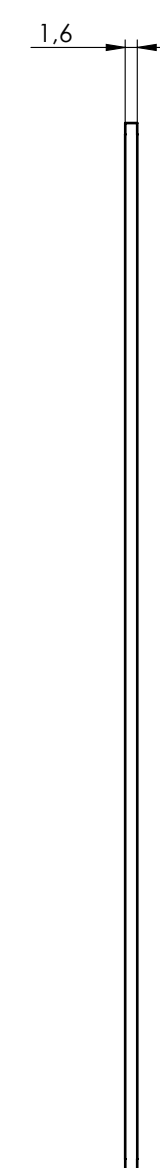
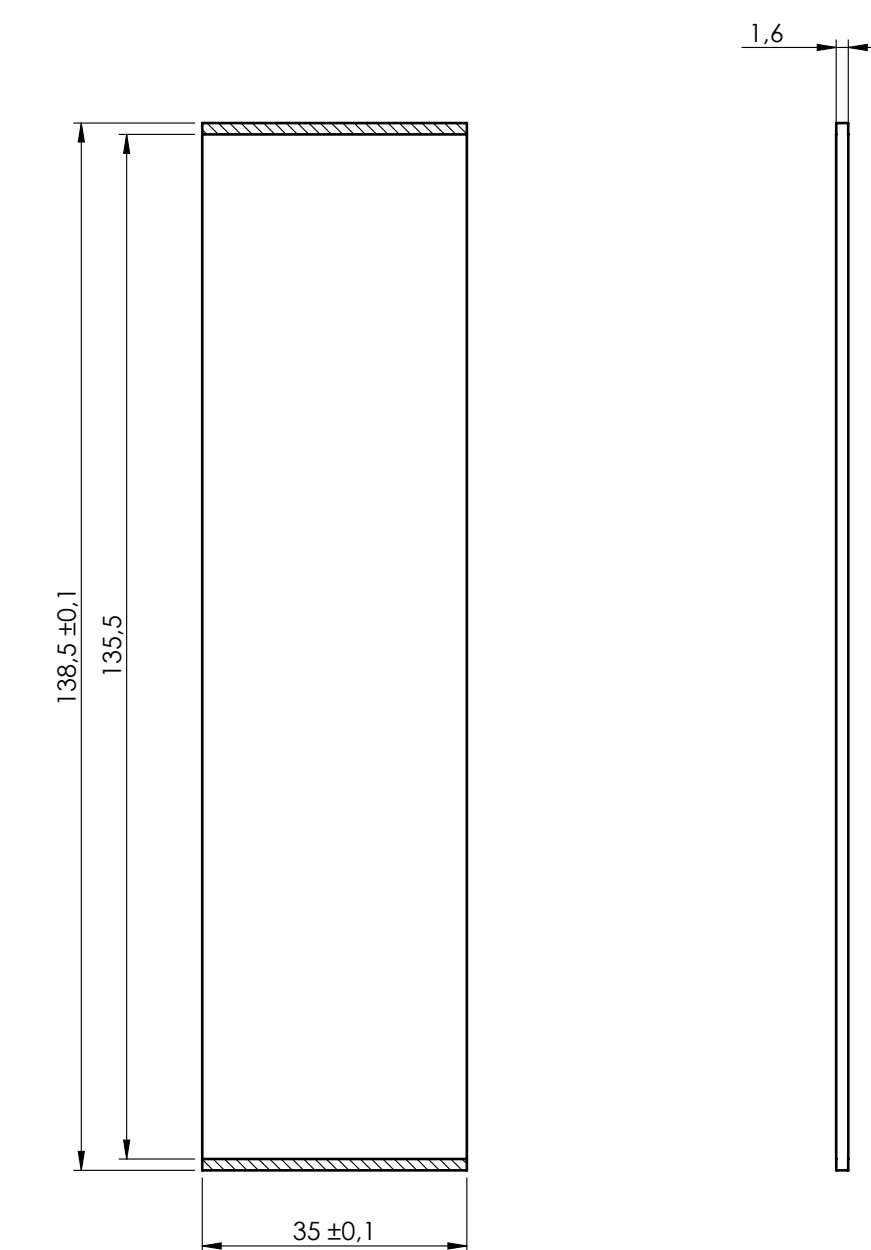
PCB C



PCB V2



PCB V1



General Tolerance UNE EN 22768/1 Media (m)					Sheet:
from 0.5 to 3 ± 0.1	from 3 to 6 ± 0.1	from 6 to 30 ± 0.2	from 30 to 120 ± 0.3	from 120 to 400 ± 0.5	PCB
Scale:	Drawn:	Checked:	Date:	Material:	Process:
1:1		R.N.	18/05/2023		
Dimension in mm	Description:		Weight:	Cod. Mold:	
	KIT CONTENITORE MODULBOX XTS BMH53-B KIT ENCLOSURE MODULBOX XTS BMH53-B		gr	--	
 enclosures for electronics italtionics.com		Derived from: Drawing n°:	3_250_00117	Rev.: 00	A1