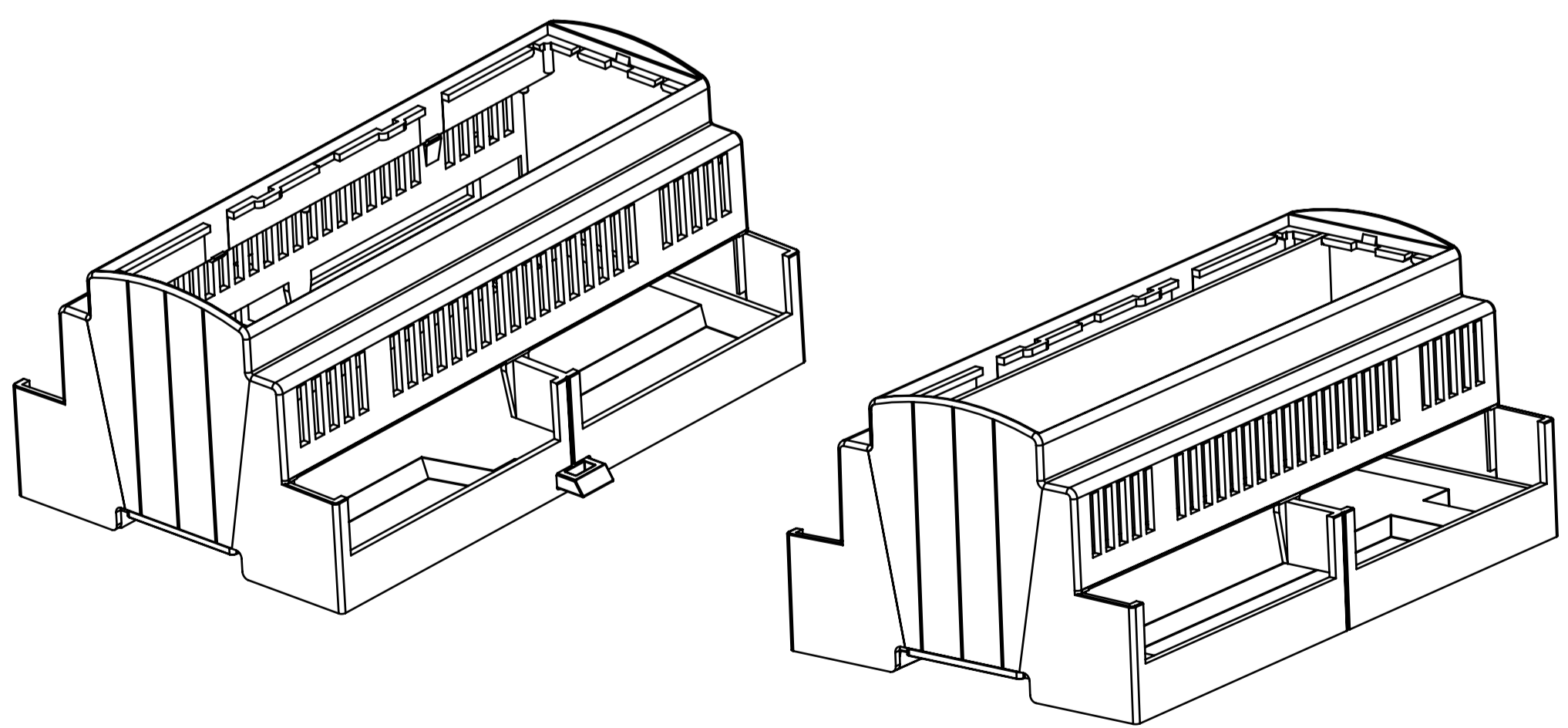
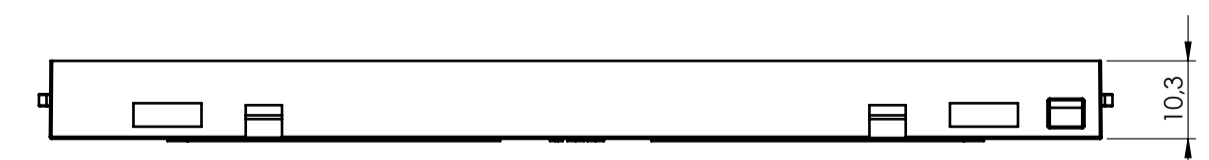
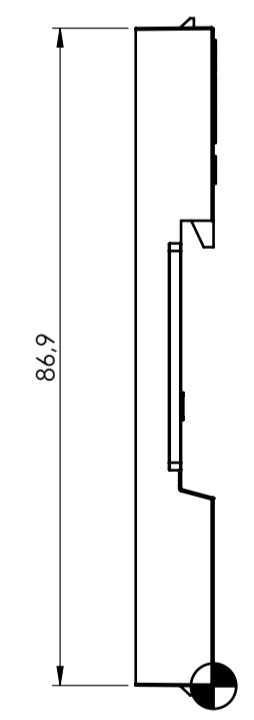
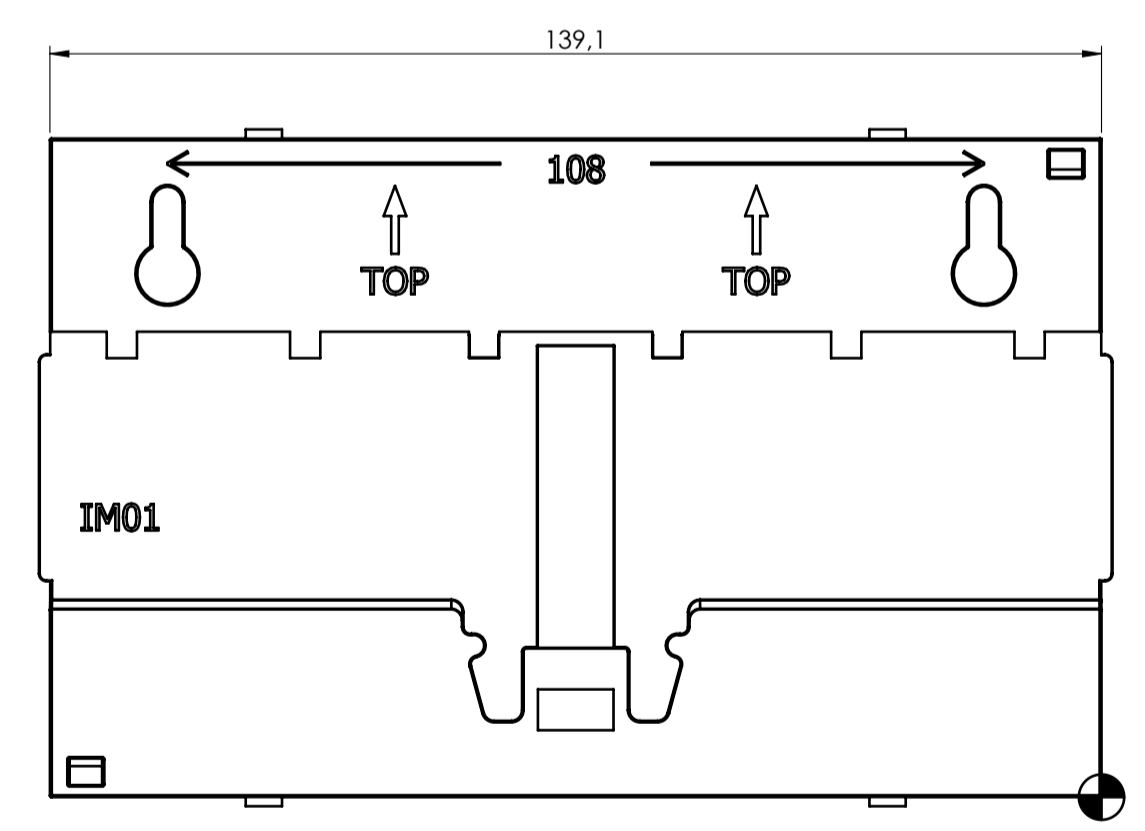


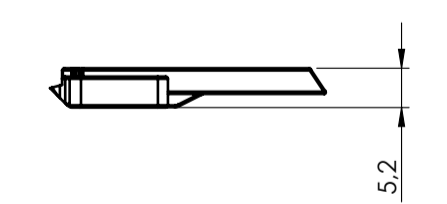
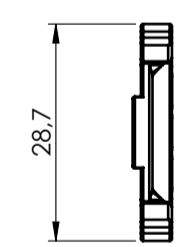
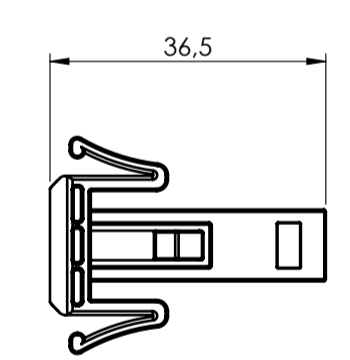
BODY ENCLOSURE



BASE



HOOK



General information:
 - Workpiece zero point for mechanical processing
 - Minimum recommended radius for machining = R1.0 mm
 - Mounting rail like EN 60715: TH 35-7.5 or TH 35-15
 - Recommended PCB outline on www.italtronic.com

RIF.	Q.TY	DRAWING	DESCRIPTION
1	1	2_250_03665	BODY MODULBOX XT/XTS-BM
2	1	2_250_03649	BASE MODULBOX XT/XTS - BM
3	1	2_250_00072	HOOK FOR MODULBOX XT-XTS

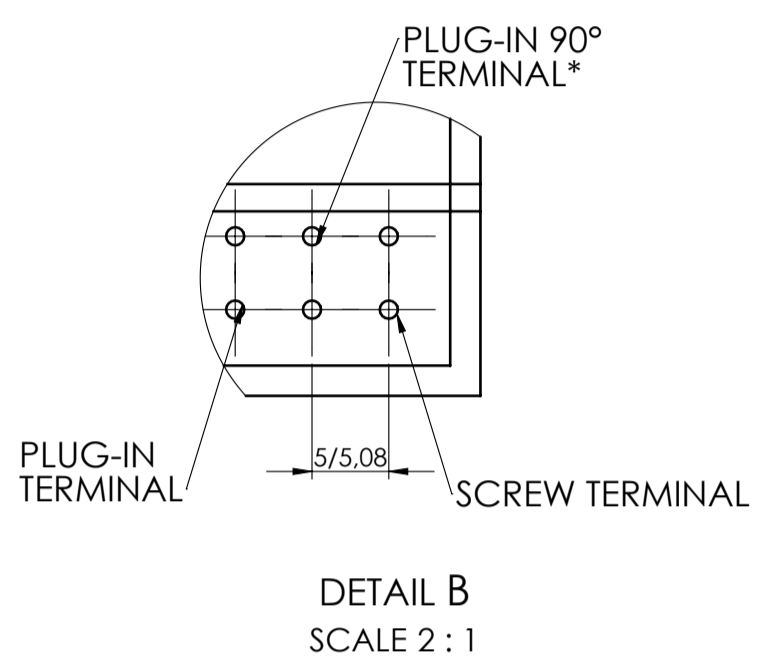
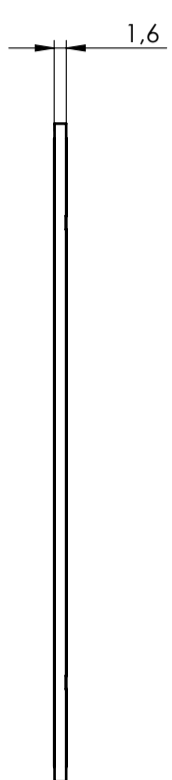
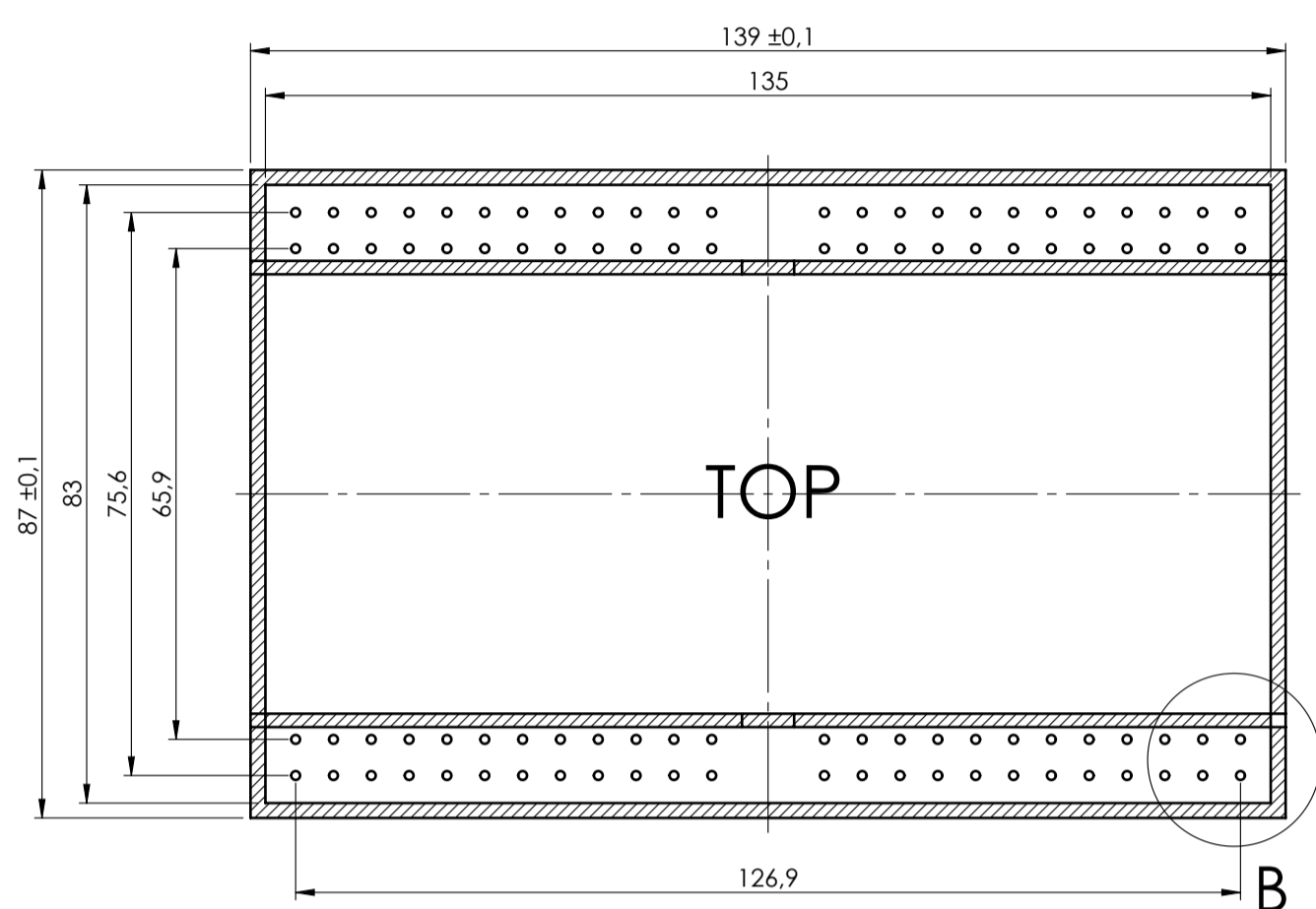
Dimension in mm	from 0.5 to 3	from 3 to 6	from 6 to 30	from 30 to 120	from 120 to 400	Sheet
General Tolerances (DIN EN 22768/1) Media [mm]	± 0.1	± 0.1	± 0.2	± 0.3	± 0.5	1
Scale:	1:1	Drawn:	Checked:	Date:	Material:	Process:
			R.N.	04/05/2023		
			Derived from:	Weight:	Cod. Mold:	
				gr	--	

Dimension in mm	from 0.5 to 3	from 3 to 6	from 6 to 30	from 30 to 120	from 120 to 400
General Tolerances (DIN EN 22768/1) Media [mm]	± 0.1	± 0.1	± 0.2	± 0.3	± 0.5

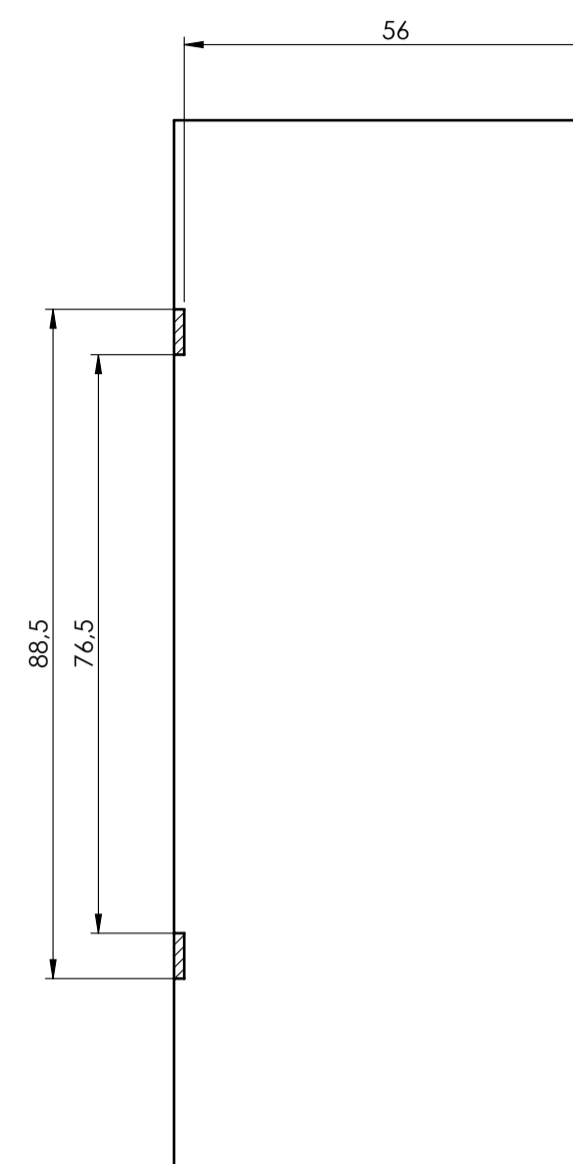
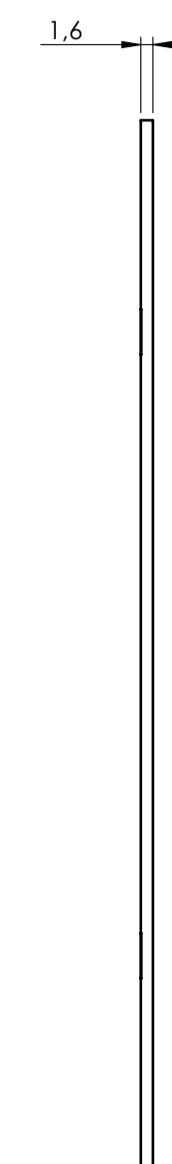
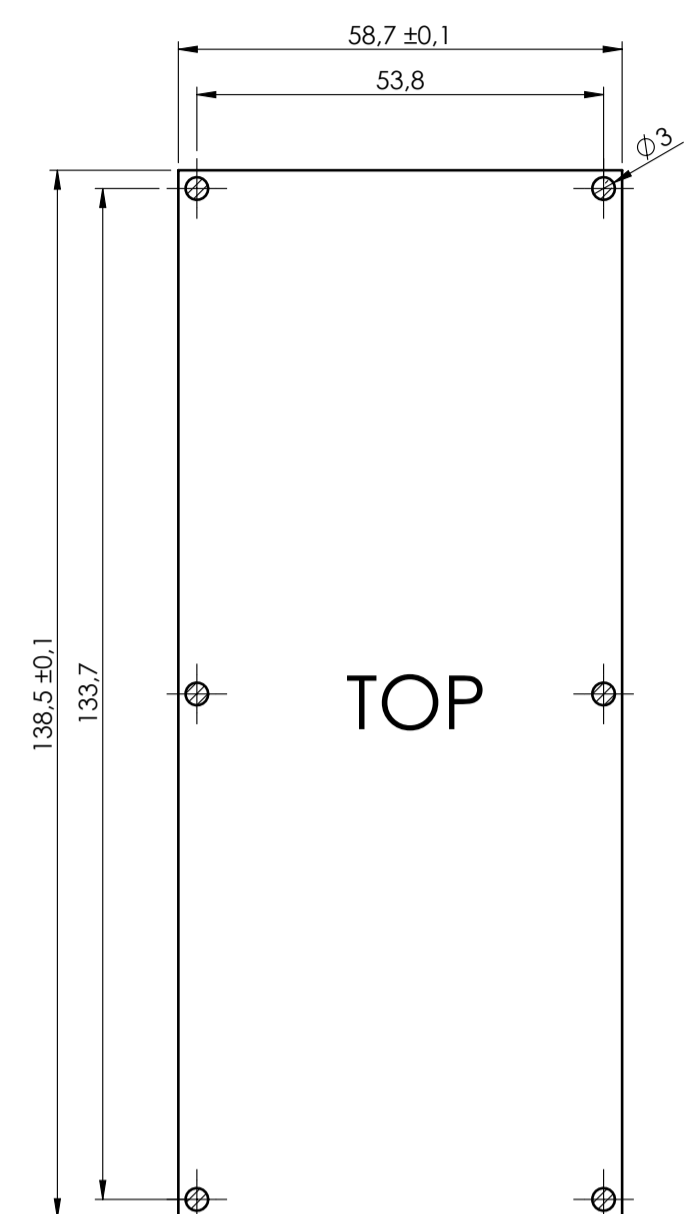
Description:
 KIT CONTENITORE MODULBOX XT/XTS-BM VENTILATO
 KIT CONTENITORE MODULBOX XT/XTS-BM VENTILATO WITH VENTS
 Drawing nr: **3_250_00102**
 File: **00_A1**
 italtronic.com

PCB A

Max height of the terminal:
 Modulbox XT/XTS: 18,5 mm
 Modulbox ONE: 20 mm

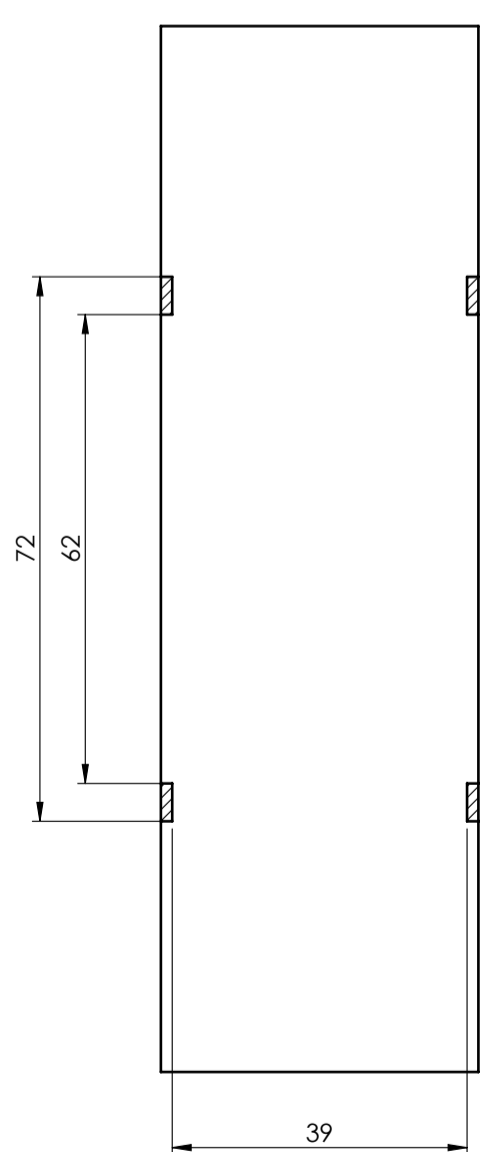
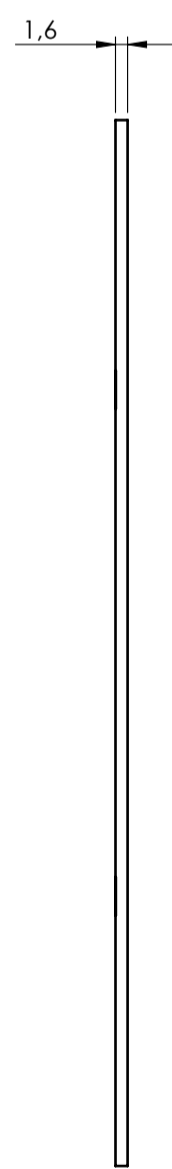
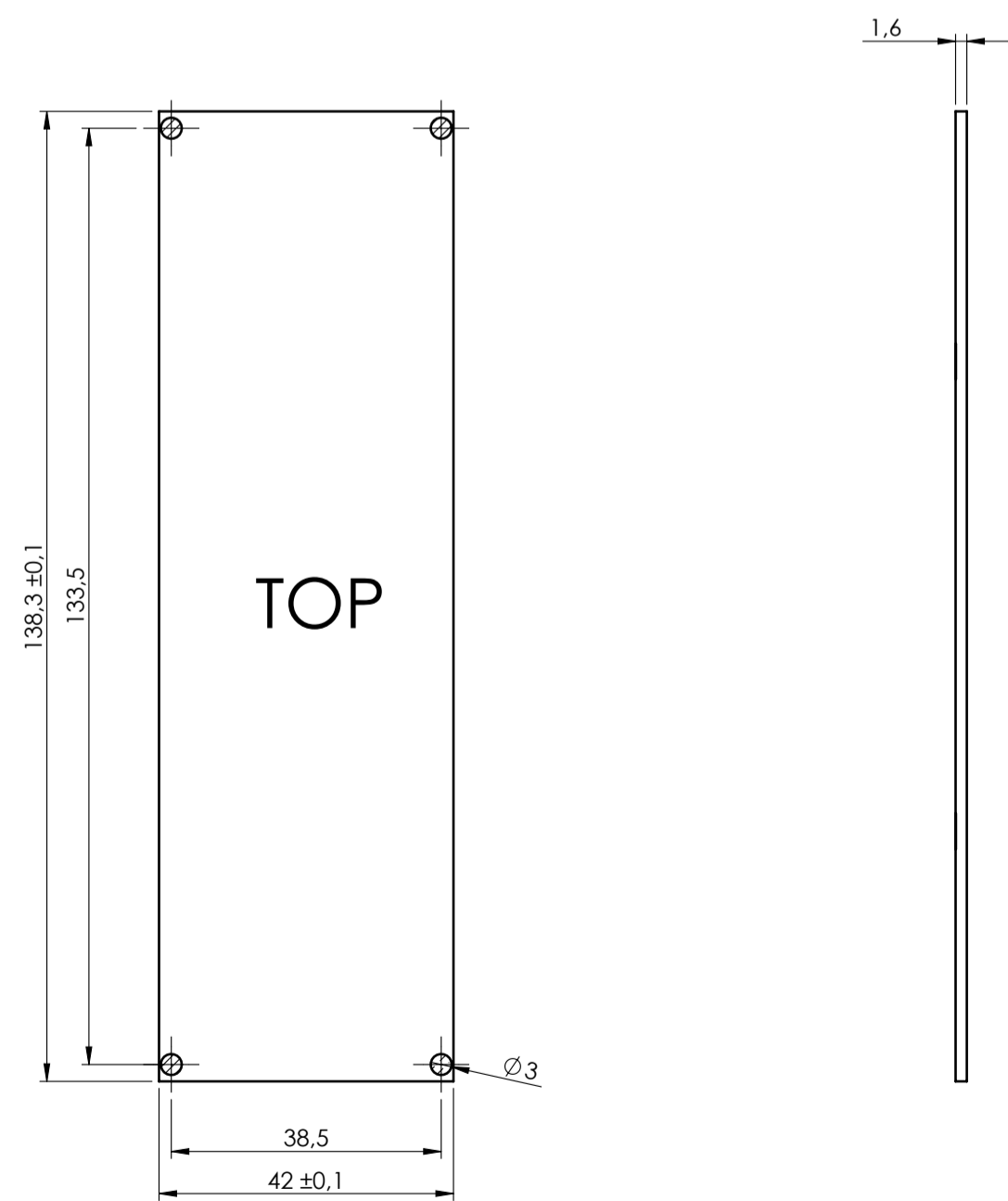


PCB B

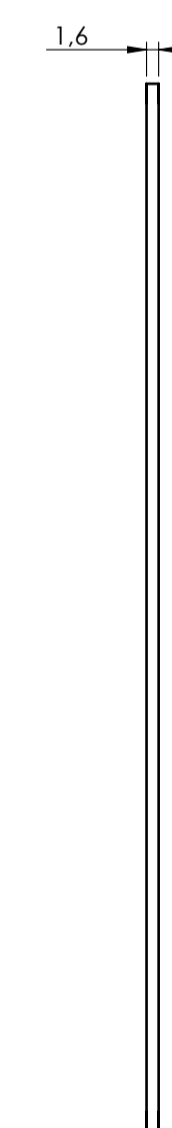
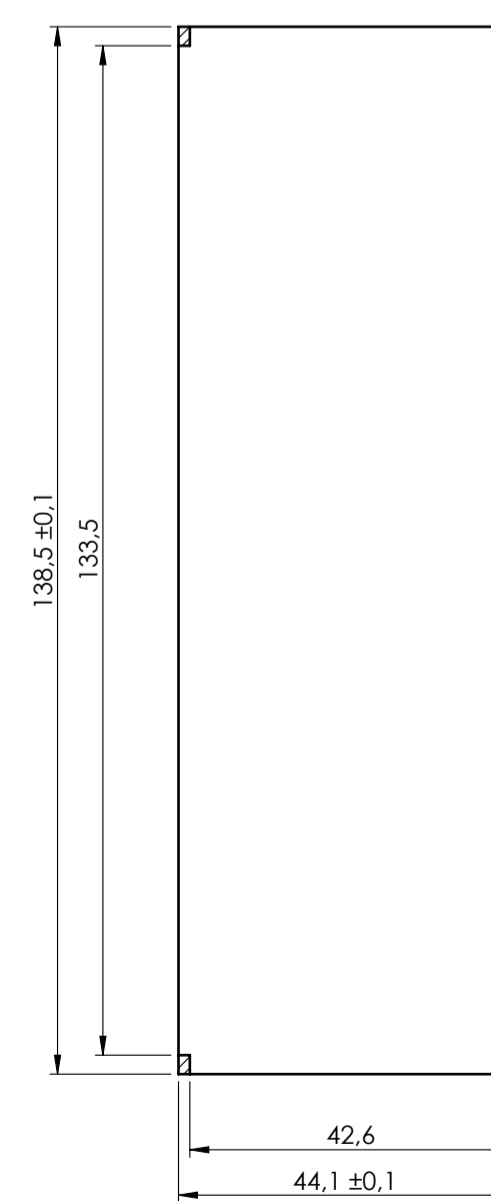


*To use the PLUG-IN terminals in Modulbox ONE use plug-in adapter P05000003E (5/5.08 pitch) and P05000004E (7.5/7.62 pitch)

PCB C



PCB V2



General Tolerance IIR EN 22768/1 Media (m)				Sheet:	
from 0.5 to 3 ± 0.1	from 3 to 6 ± 0.1	from 6 to 30 ± 0.2	from 30 to 120 ± 0.3	from 120 to 400 ± 0.5	PCB
Scale:	Drawn:	Checked:	Date:	Material:	Process:
1:1		R.N.	04/05/2023		
Dimension in mm	Derived from:		Weight:	Cod. Mold:	
	R.N.		gr	--	
Description:			File:		
KIT CONTENITORE MODULBOX XTS 8MH53V-A VENTILATO			3_250_00102		
KIT CONTENITORE MODULBOX XTS 8MH53V-A WITH VENTS			00 A1		
Italtronic enclosures for electronics italtronic.com					

NO COMPONENTS AREA