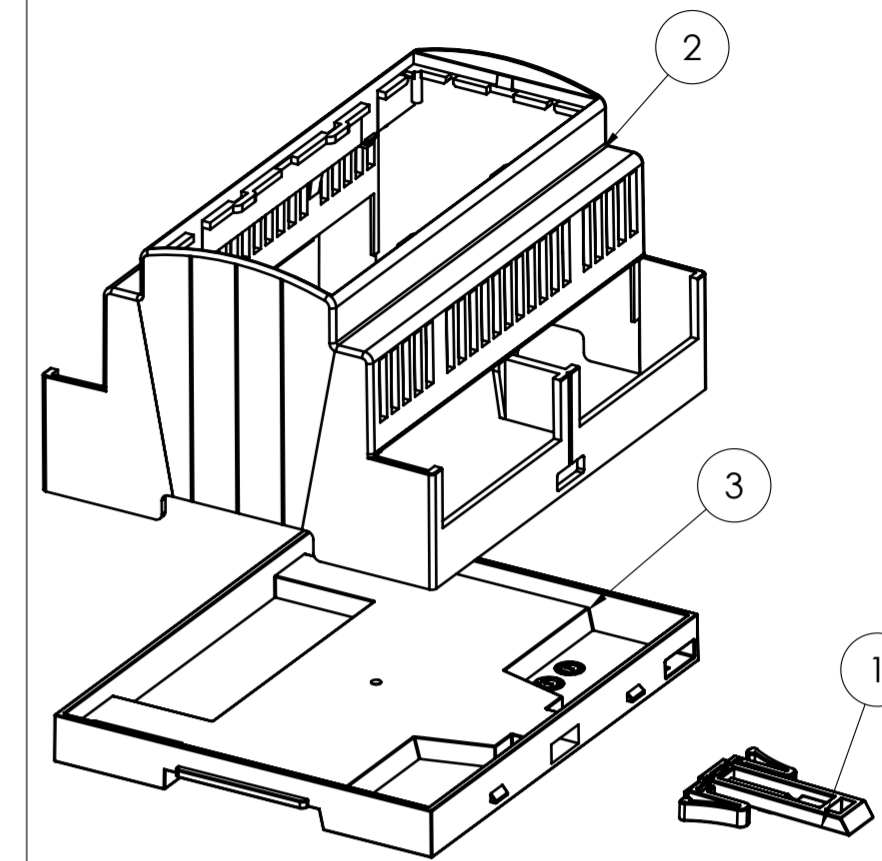
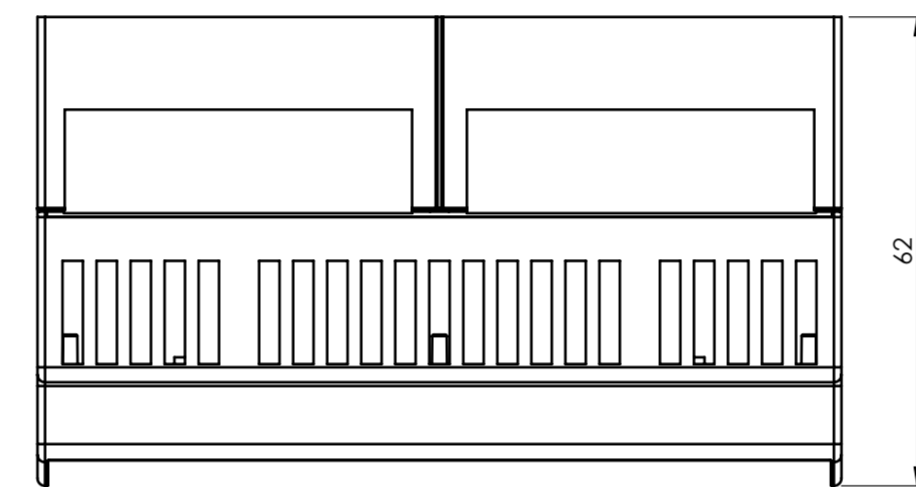
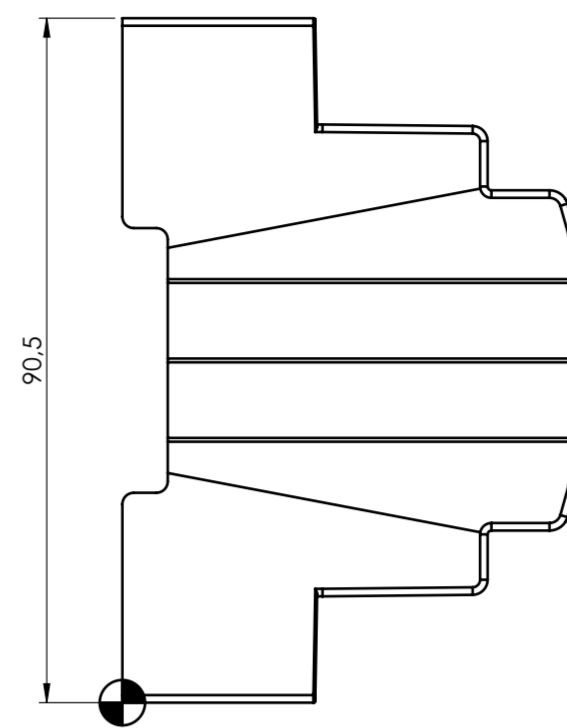
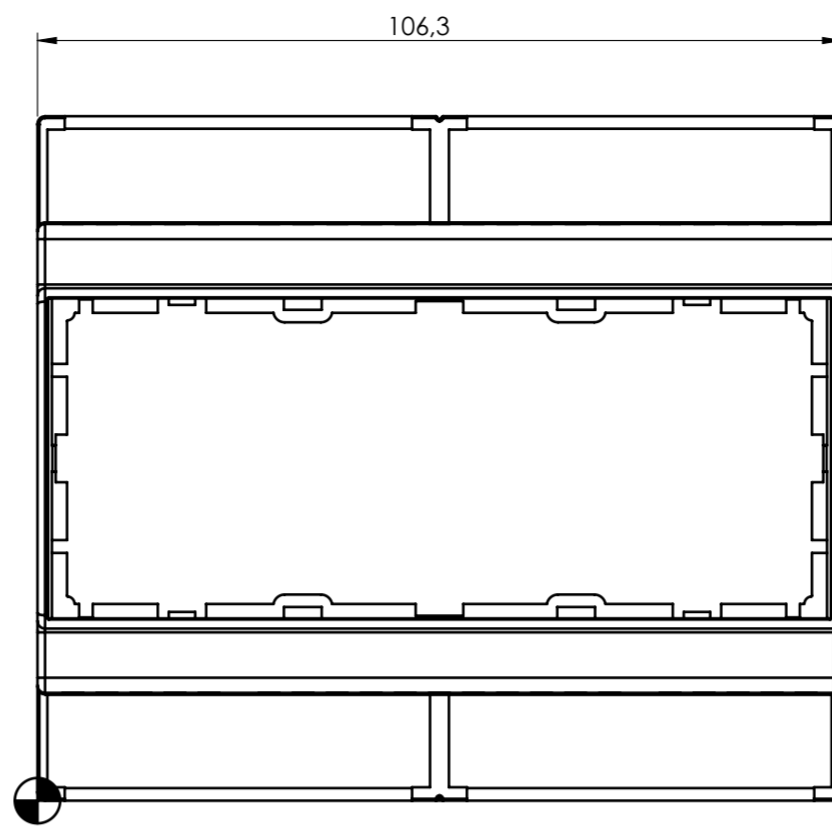
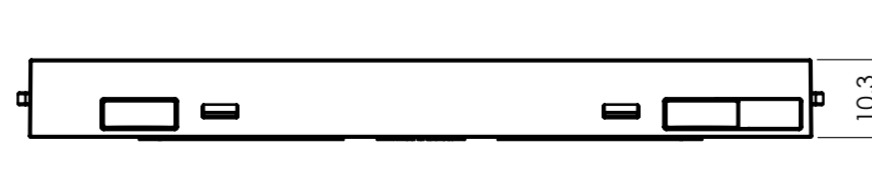
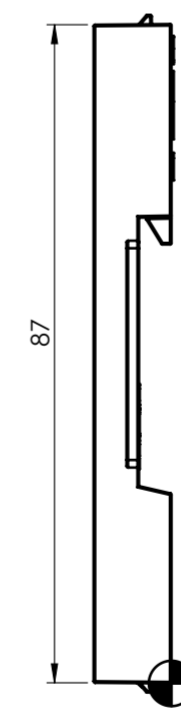
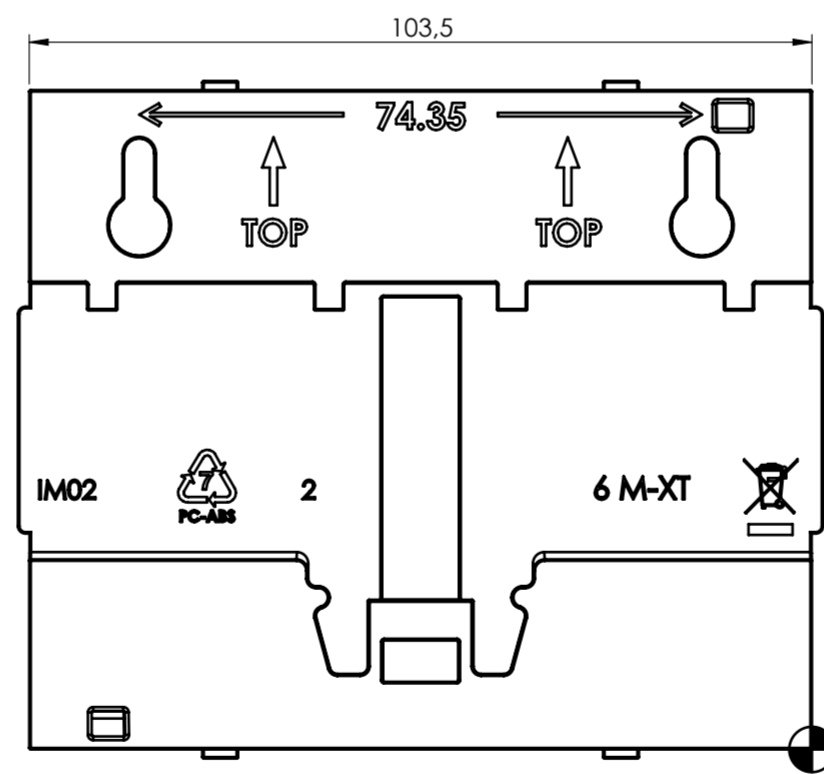


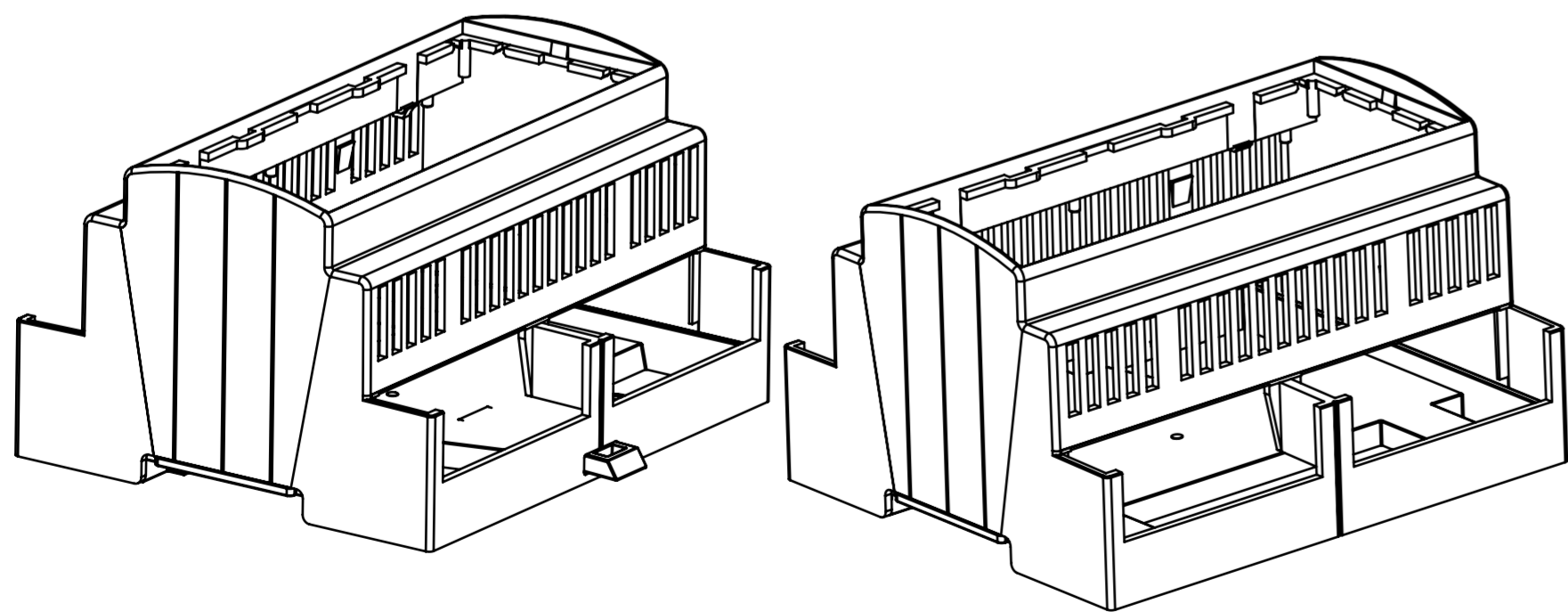
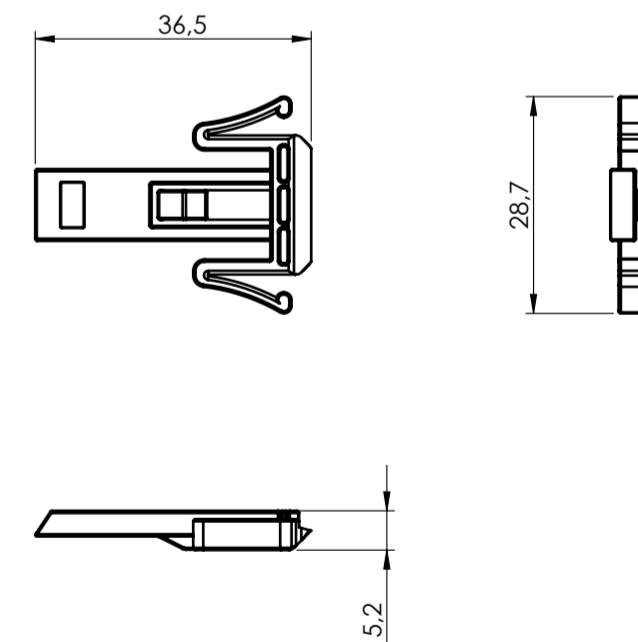
BODY ENCLOSURE



BASE



HOOK



General information:  
 - Workpiece zero point for mechanical processing  
 - Minimum recommended radius for machining = R1.0 mm  
 - Mounting rail like EN 60715; TH 35-7.5 or TH 35-15  
 - Recommended PCB outline on [www.italtronic.com](http://www.italtronic.com)

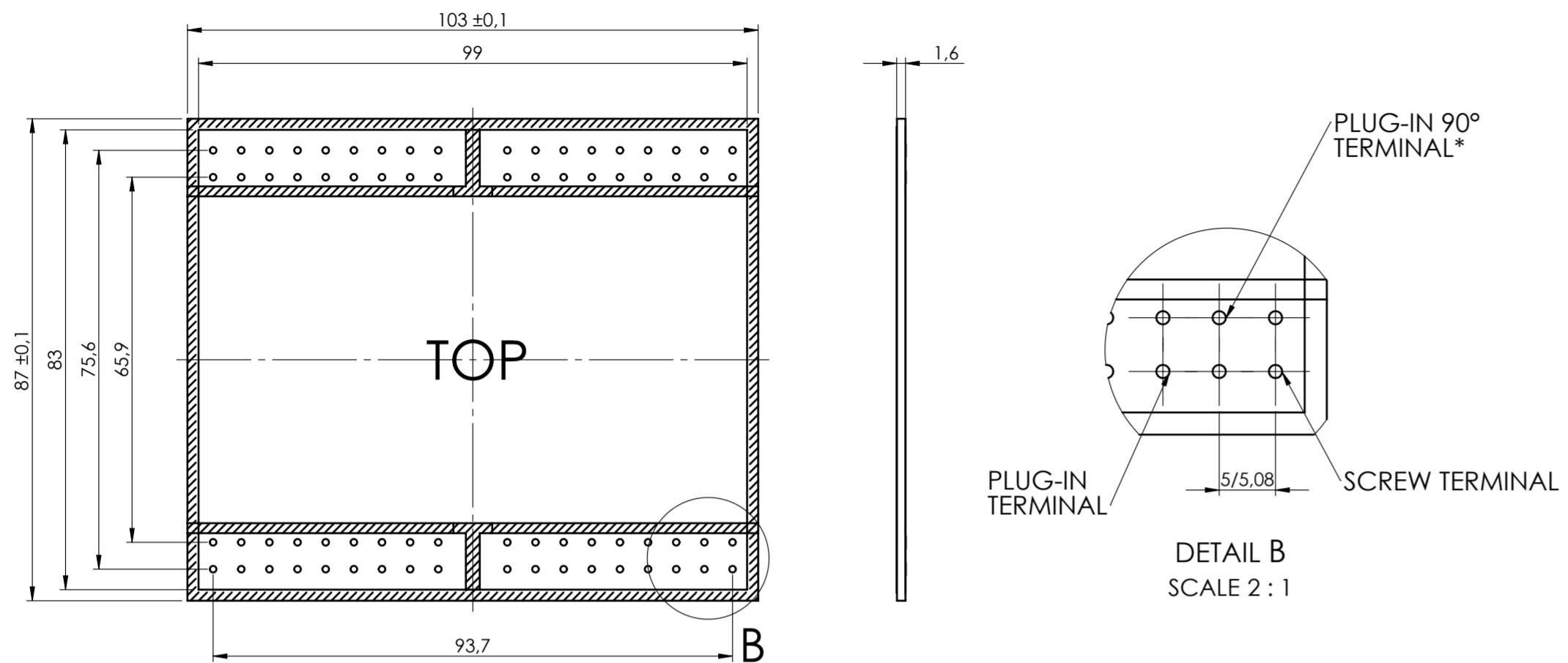
RIF.	Q.TY	DRAWING	DESCRIPTION
1	1	2_250_00072	HOOK FOR MODULBOX XT-XTS
2	1	2_250_03654	BODY MODULBOX XTS 6MH53V-A
3	1	2_250_00137	BASE MODULBOX XT/XTS - 6M

General Tolerance UNI EN 22768/1 Media (m)					Sheet:
from 0.5 to 3	from 3 to 6	from 6 to 30	from 30 to 120	from 120 to 400	1
± 0.1	± 0.1	± 0.2	± 0.3	± 0.5	
Scale:	IM:	Drawn:	Checked:	Date:	Material:
1:1	--		R.N.	02/05/2023	Process:
Dimension in mm		Replaces the:		Derived from:	Weight:
		M-04107-01			gr
Description:					Cod. Mold:
KIT CONTENITORE MODULBOX XTS 6MH53V-A VENTILATO					--
KIT ENCLOSURE MODULBOX XTS 6MH53V-A WITH VENTS					
Drawing nr.:					Rev.:
3_250_00093					- A2

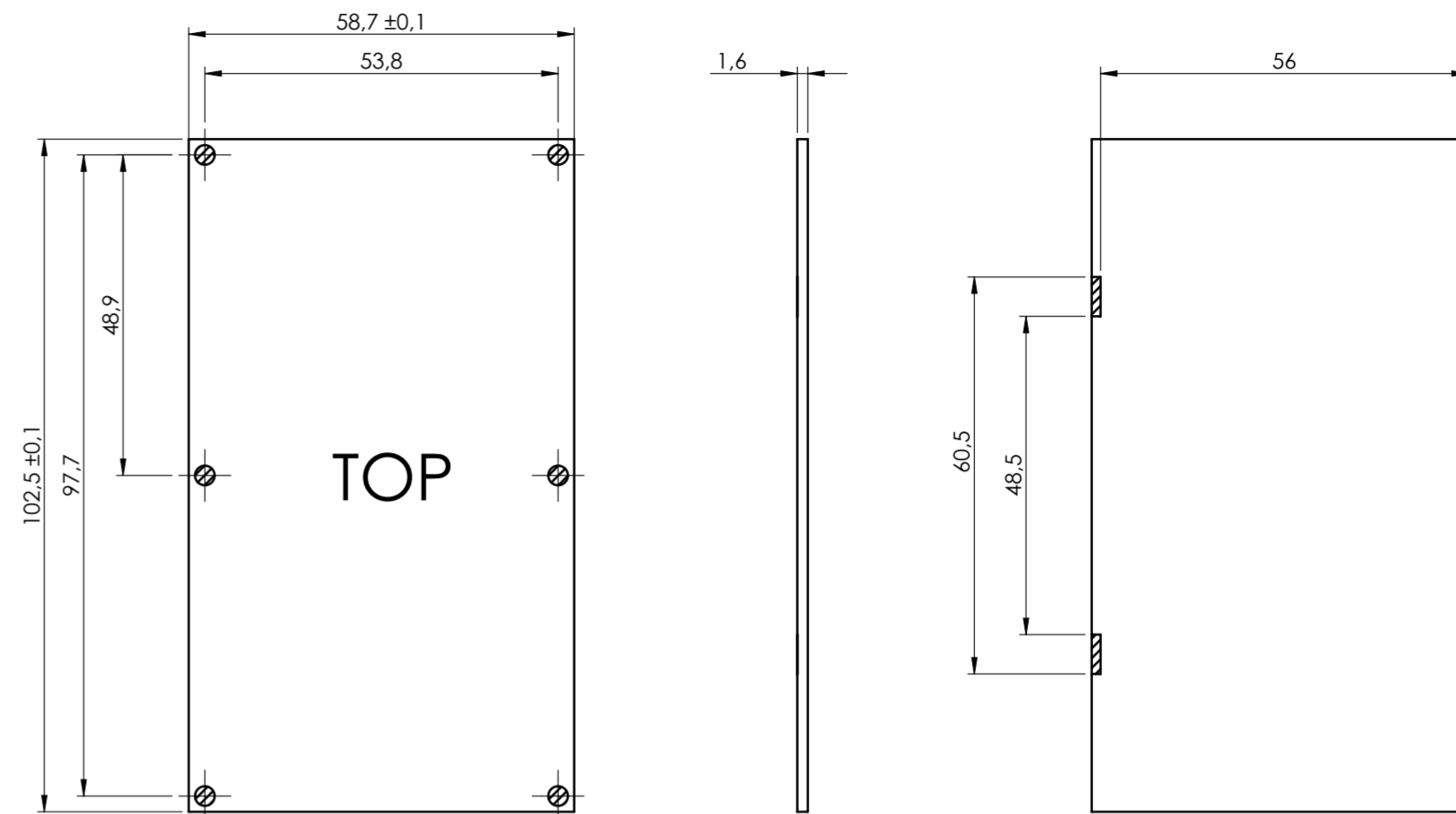


PCB A

Max height of the terminal:  
 Modulbox XT/XTS: 18.5 mm  
 Modulbox ONE: 20 mm

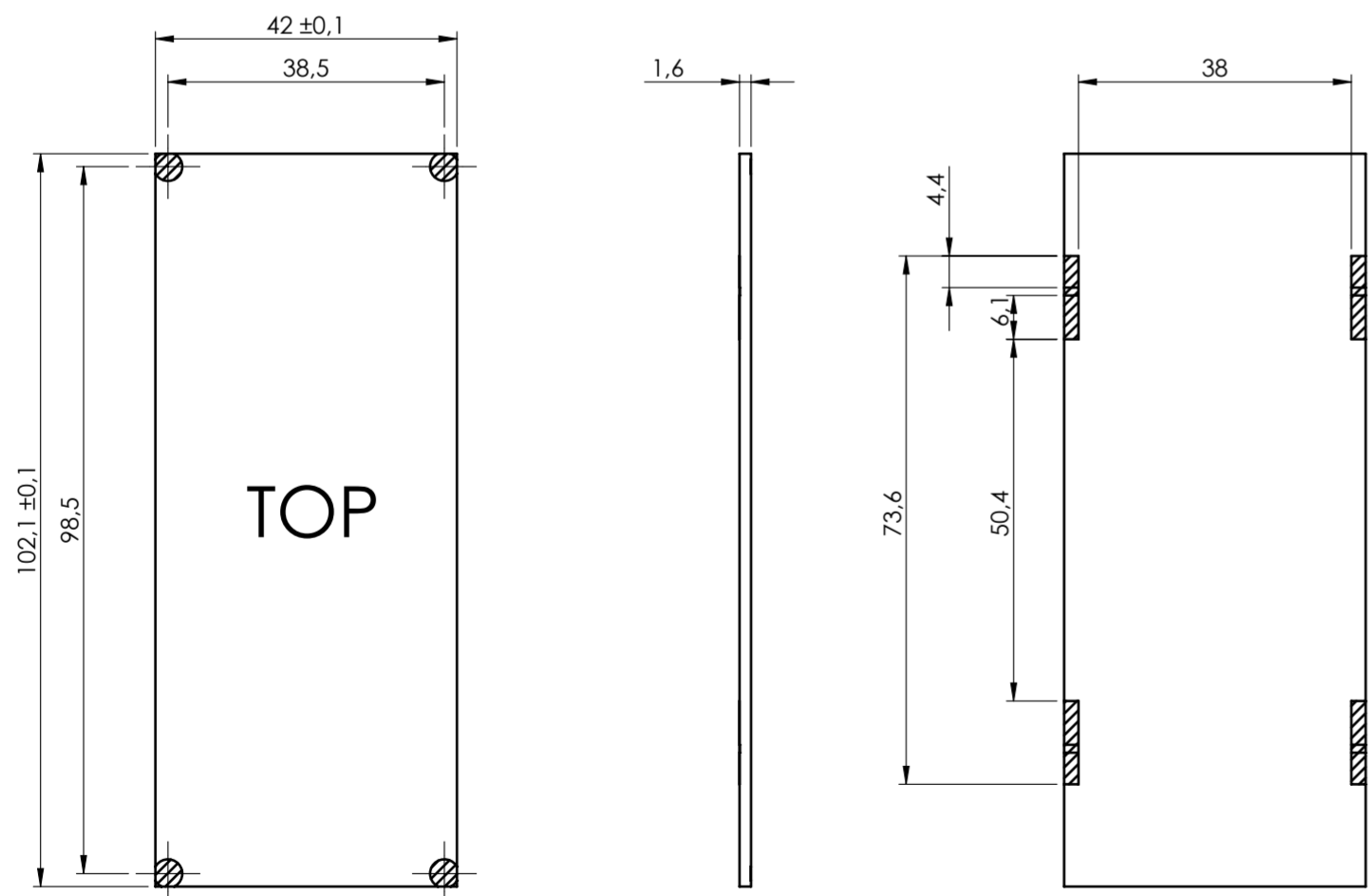


PCB B

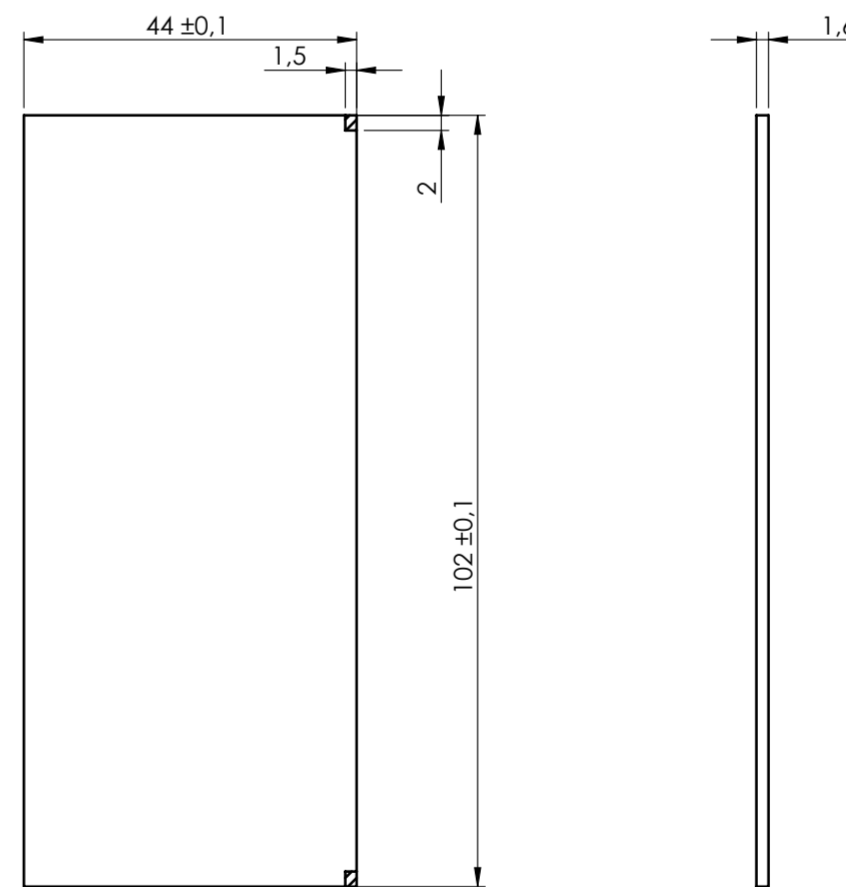


\*To use the PLUG-IN terminals in Modulbox ONE use plug-in adapter P05000003E (5/5.08 pitch) and P05000004E (7.5/7.62 pitch)

PCB C



PCB V2



General Tolerance UNI EN 22768/1 Media (m)					Sheet:
from 0.5 to 3 ± 0.1	from 3 to 6 ± 0.1	from 6 to 30 ± 0.2	from 30 to 120 ± 0.3	from 120 to 400 ± 0.5	PCB
Scale: 1:1	Drawn:	Checked: R.N.	Date: 02/05/2023	Material:	Process:
Dimension in mm		Derived from:	Weight: gr	Cod. Mold: --	
 italtronic enclosures for electronics italtronic.com		Description: KIT CONTENITORE MODULBOX XTS 6MH53V-A VENTILATO KIT ENCLOSURE MODULBOX XTS 6MH53V-A WITH VENTS		Drawing nr.: <b>3_250_00093</b> Rev.: - A2	

NO COMPONENTS AREA