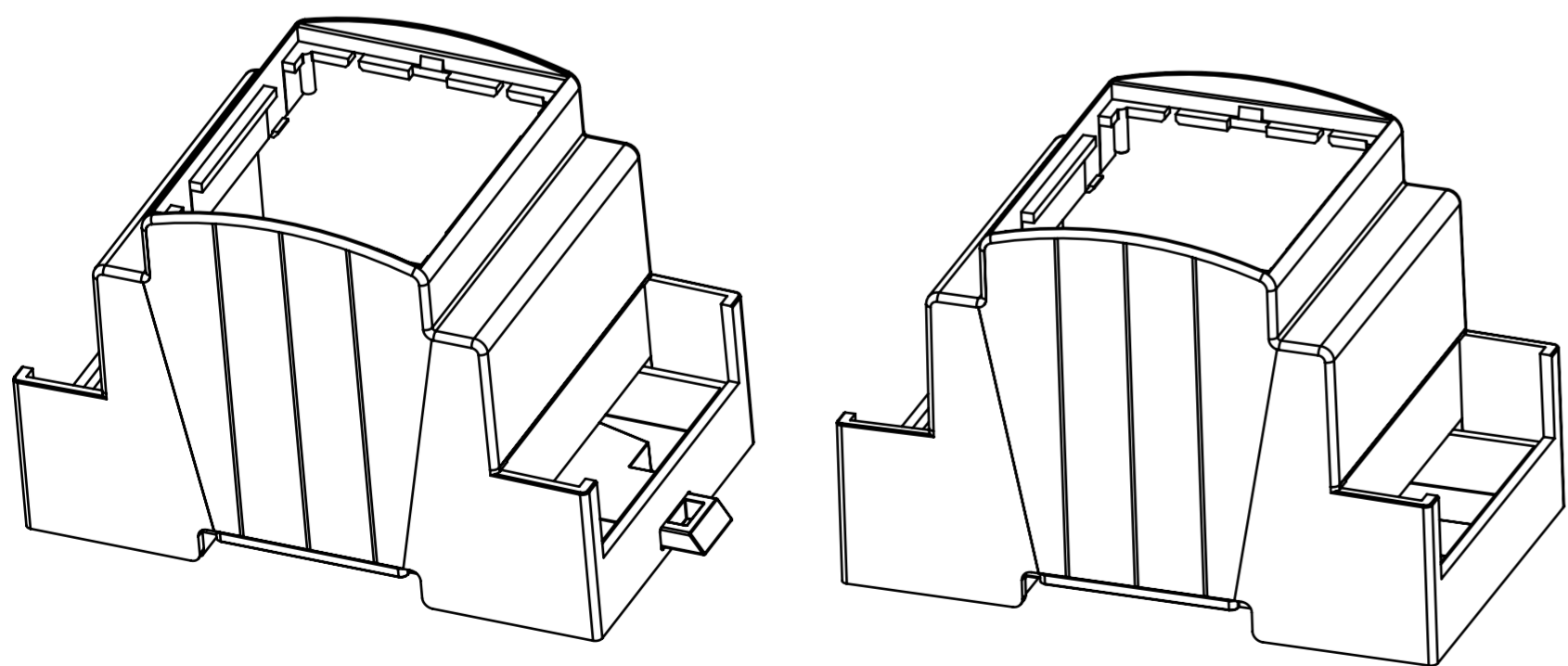
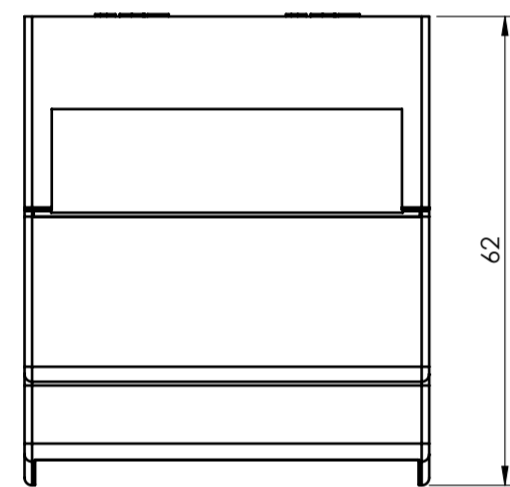
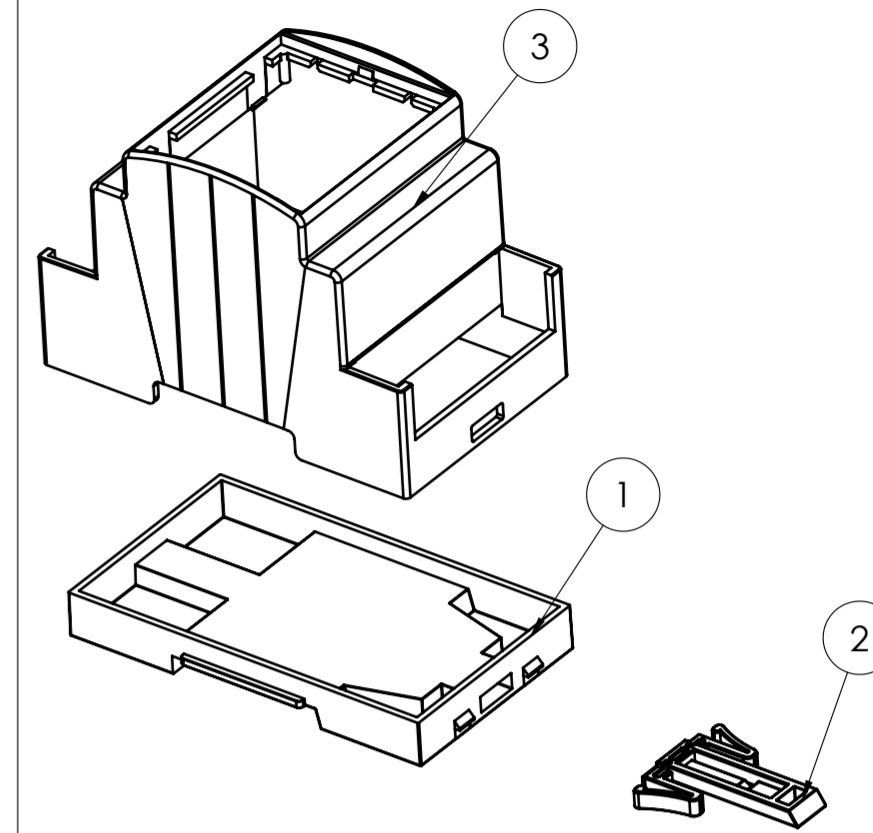
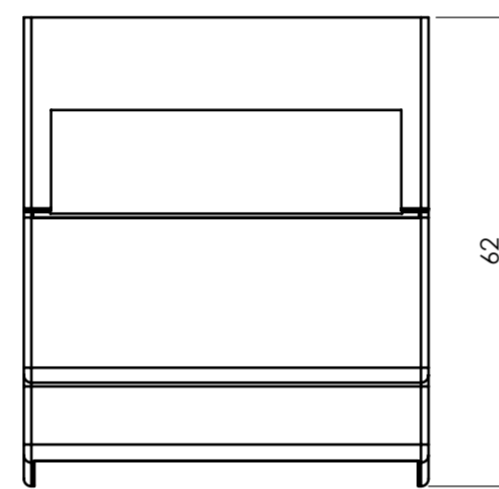
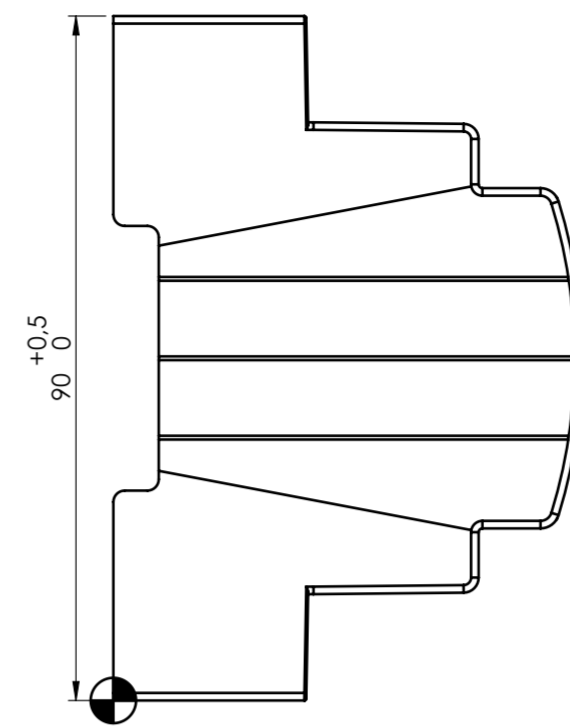
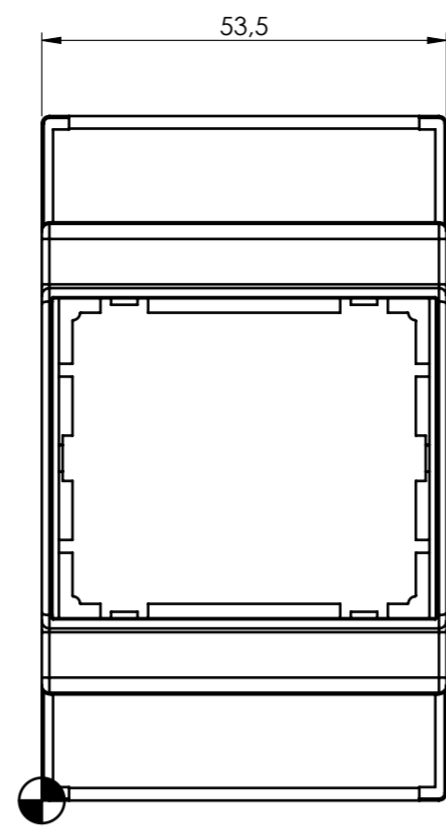


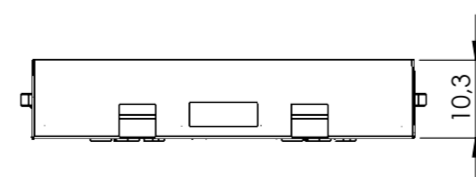
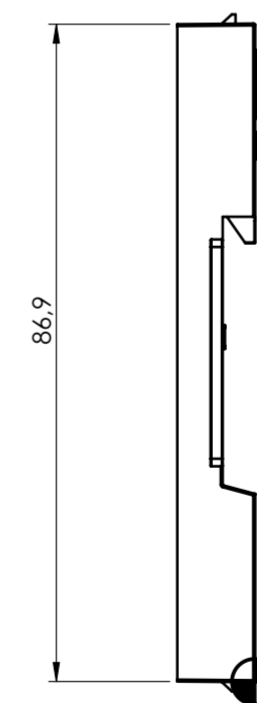
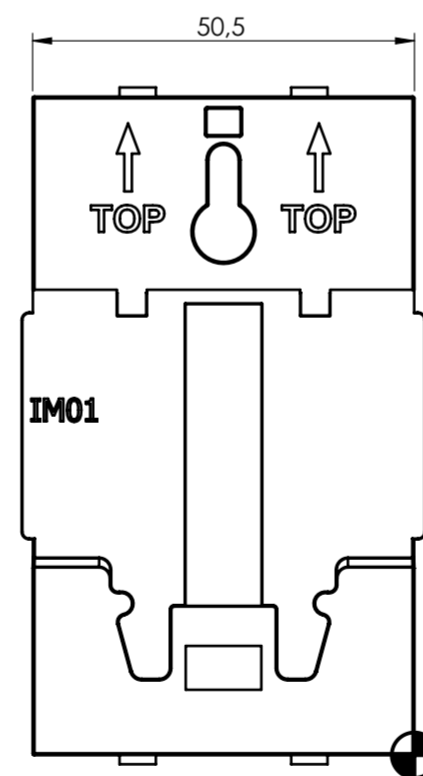
SECTION A-A



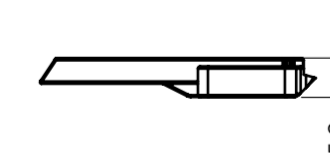
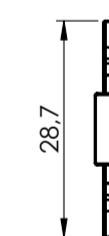
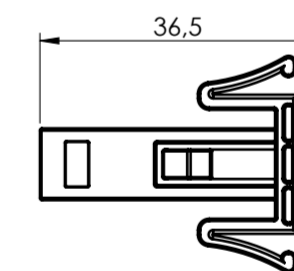
BODY ENCLOSURE



BASE



HOOK



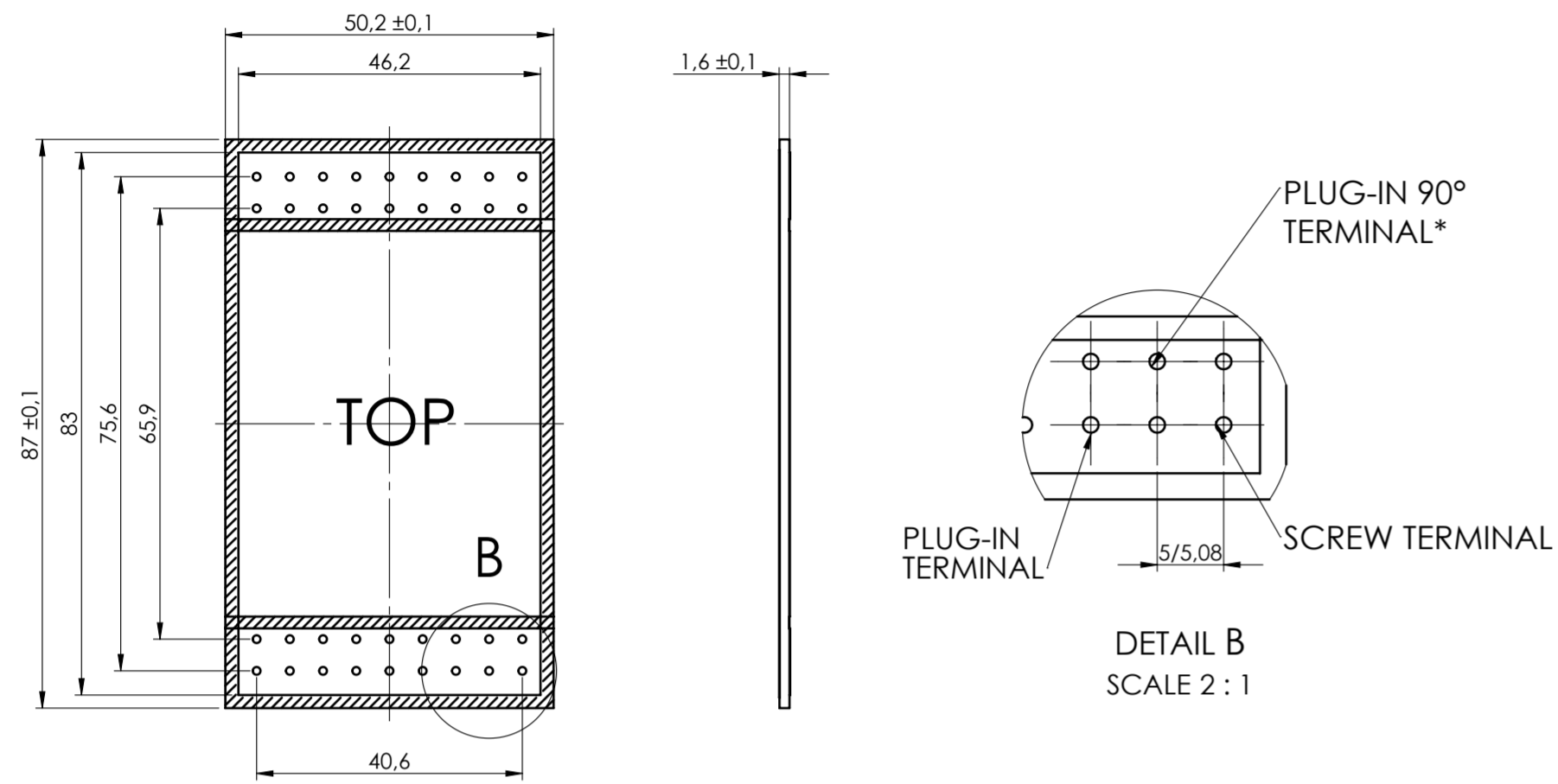
General information:  
 - Workpiece zero point for mechanical processing  
 - Minimum recommended radius for machining = R1.0 mm  
 - Mounting rail like EN 60715: TH 35-7.5 or TH 35-15  
 - Recommended PCB outline on [www.italtronic.com](http://www.italtronic.com)

RIF.	Q.TY	DRAWING	DESCRIPTION
1	1	2_250_03677	BASE MODULBOX XT/XTS - 3M
2	1	2_250_00072	HOOK FOR MODULBOX XT-XTS
3	1	2_250_00060	BODY ENCOLOSURE XTS 3M53-A

General Tolerance UNI EN 22768/1 Media (m)					Sheet:
from 0.5 to 3 ± 0.1	from 3 to 6 ± 0.1	from 6 to 30 ± 0.2	from 30 to 120 ± 0.3	from 120 to 400 ± 0.5	1
Scale:	IM:	Drawn:	Checked:	Date:	Material:
1:1	--	R.N.	R.N.	14/04/2023	--
Dimension in mm		Replaces the:		Derived from:	Weight:
		M-04067-01		--	gr

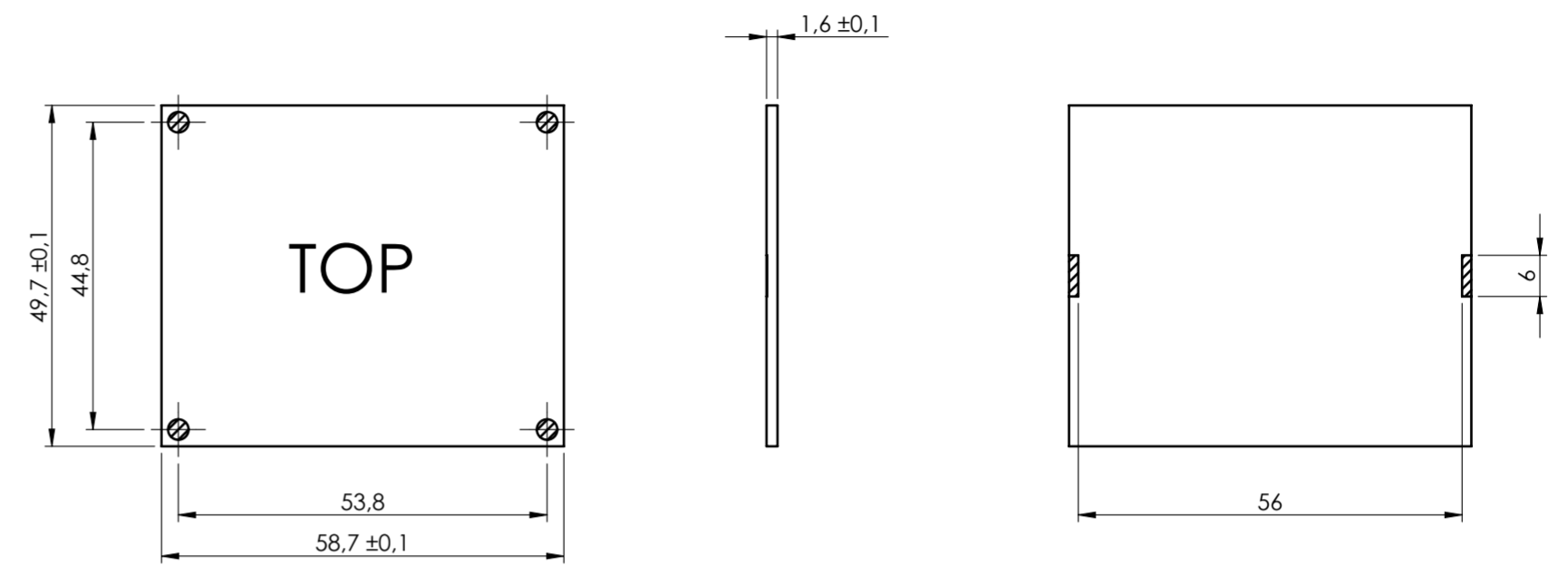
 enclosures for electronics italtronic.com		Description: KIT CONTENITORE MODULBOX XTS 3M53-A KIT ENCLOSURE MODULBOX XTS 3M53-A Drawing nr.: <b>3_250_00040</b>	Rev.: - A2
--	--	--	---------------

Max height of the terminal:  
 Modulbox XT/XTS: 18.5 mm  
 Modulbox ONE: 20 mm

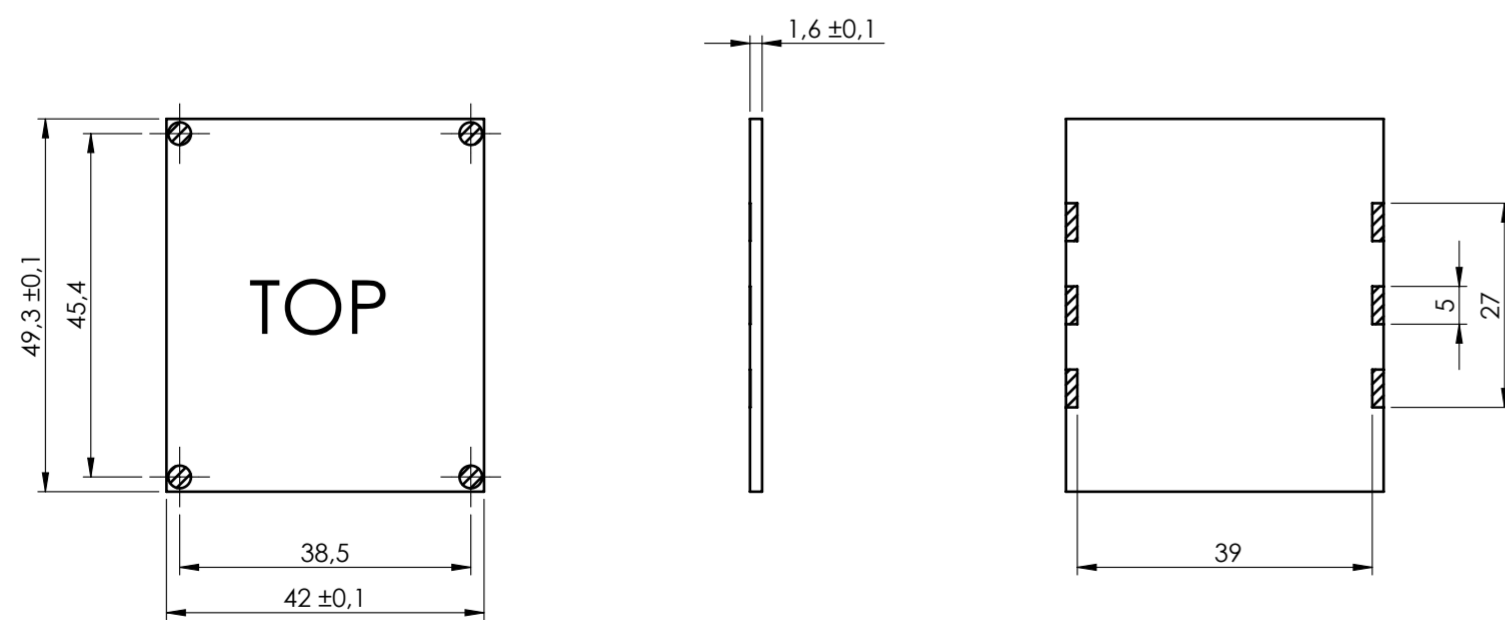


\*To use the PLUG-IN terminals in Modulbox ONE use plug-in adapter P05000003E (5/5.08 pitch) and P05000004E (7.5/7.62 pitch)

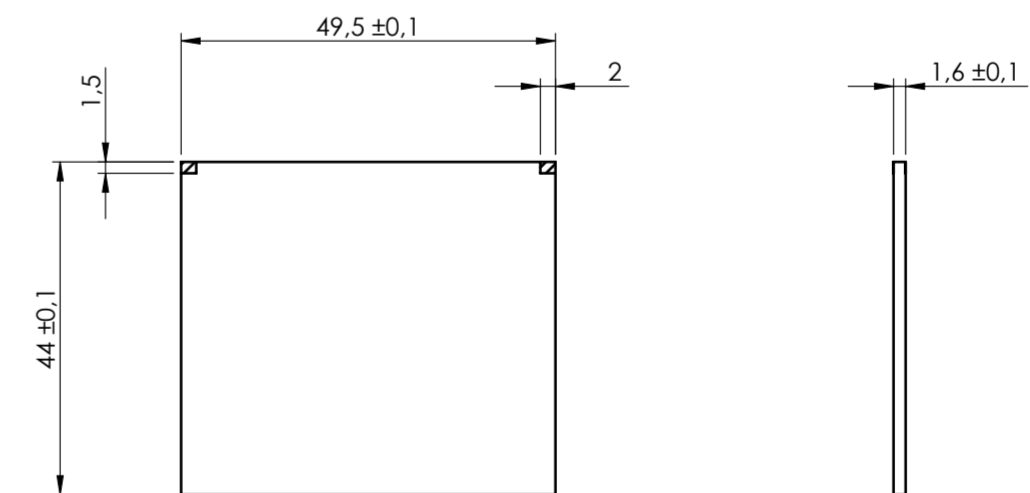
PCB B




PCB C



PCB V2



General Tolerance UNI EN 22768/1 Media (m)					Sheet:
from 0.5 to 3 ± 0.1	from 3 to 6 ± 0.1	from 6 to 30 ± 0.2	from 30 to 120 ± 0.3	from 120 to 400 ± 0.5	PCB
Scale: 1:1	IM: --	Drawn: R.N.	Checked: R.N.	Date: 14/04/2023	Process:
Dimension in mm		Replaces the: M-04067-01	Derived from: --	Weight: gr	Cod. Mold: --
 Description: KIT CONTENITORE MODULBOX XTS 3MS3-A KIT ENCLOSURE MODULBOX XTS 3MS3-A Drawing nr.: <b>3_250_00040</b>					Rev.: -
					A2

NO COMPONENTS AREA