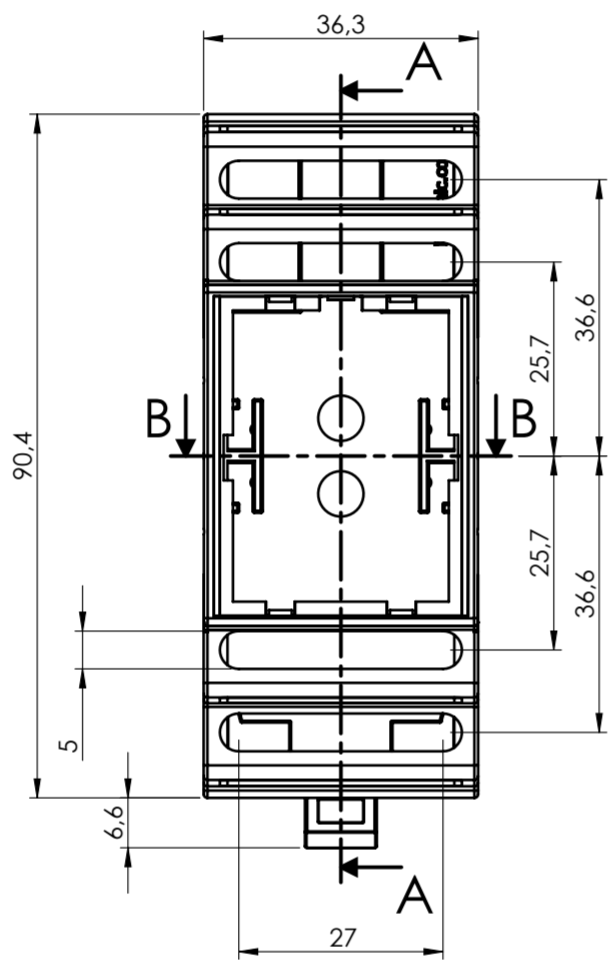
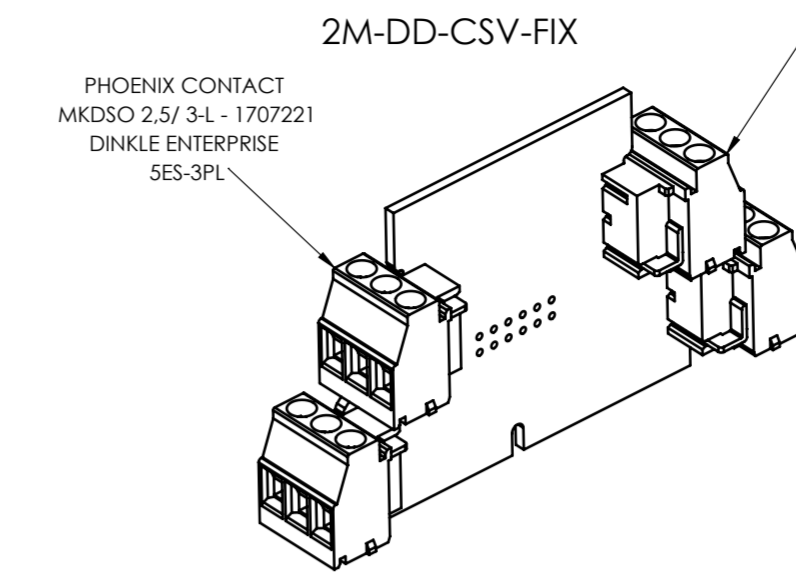
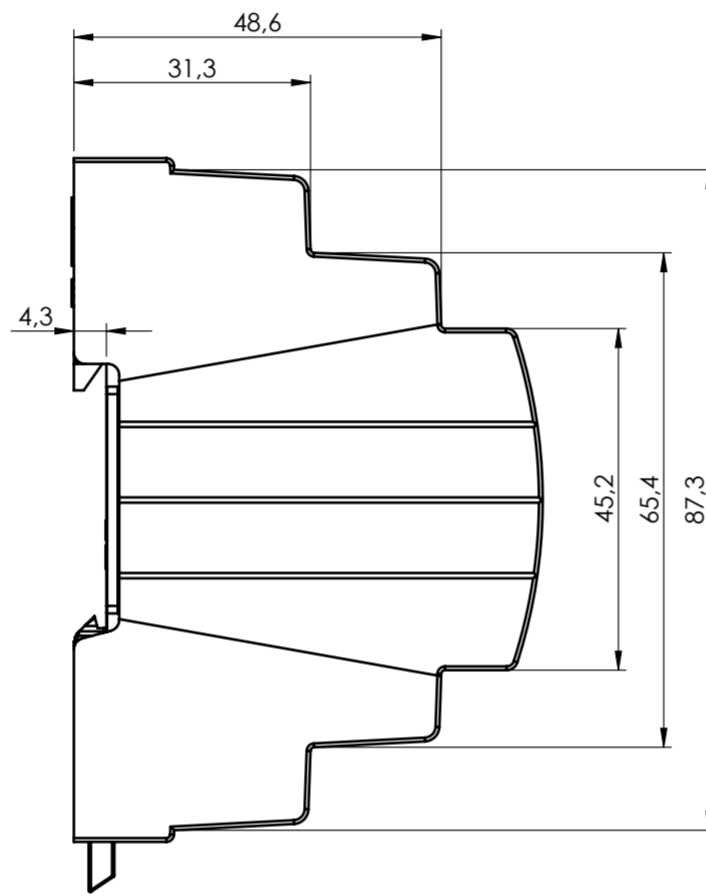
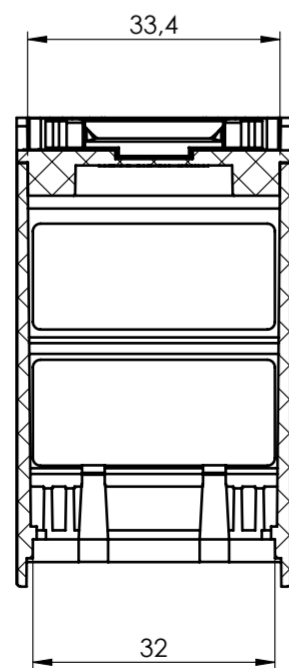


SECTION A-A

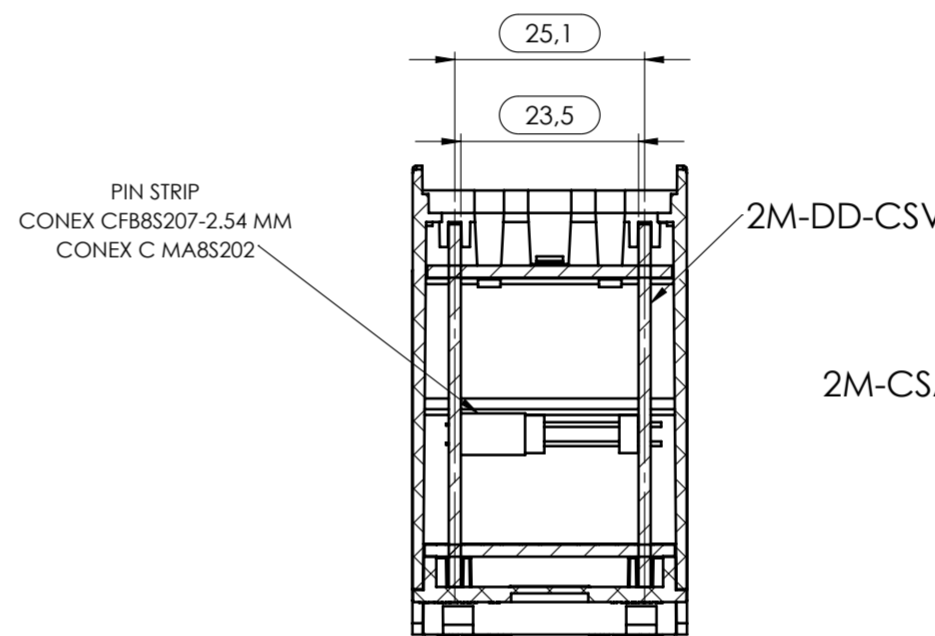
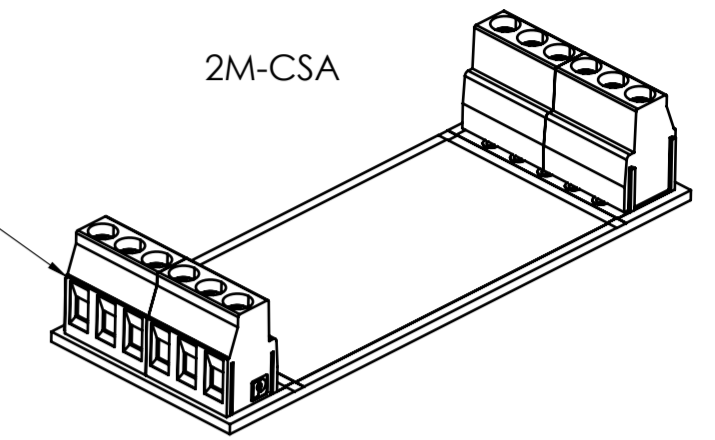


SECTION B-B

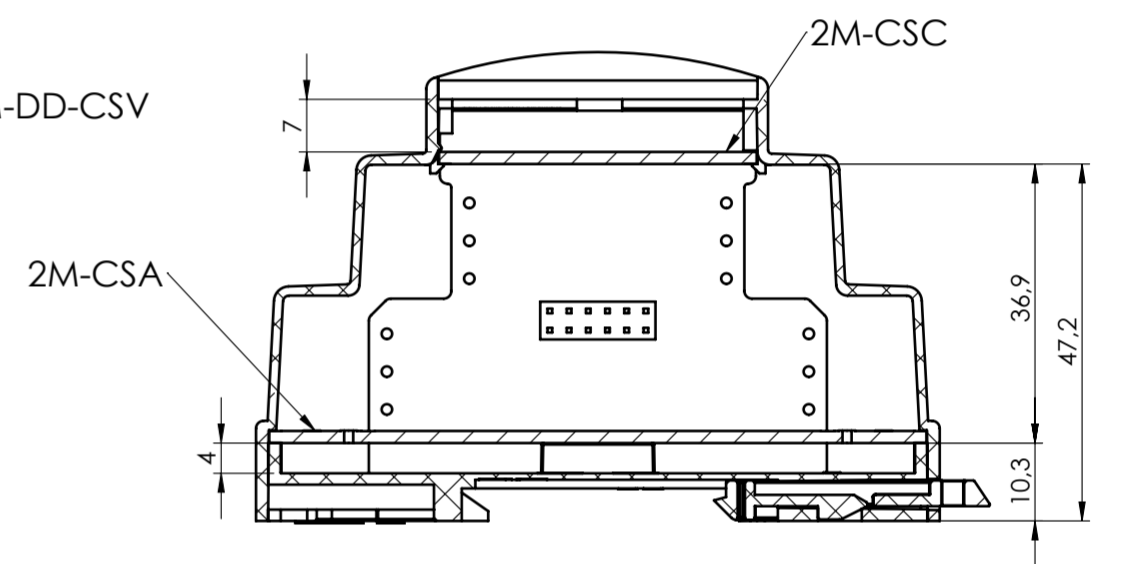


PHOENIX CONTACT  
MKDSO 2.5/3-R - 1707218  
DINKLE ENTERPRISE  
5ES-3PR

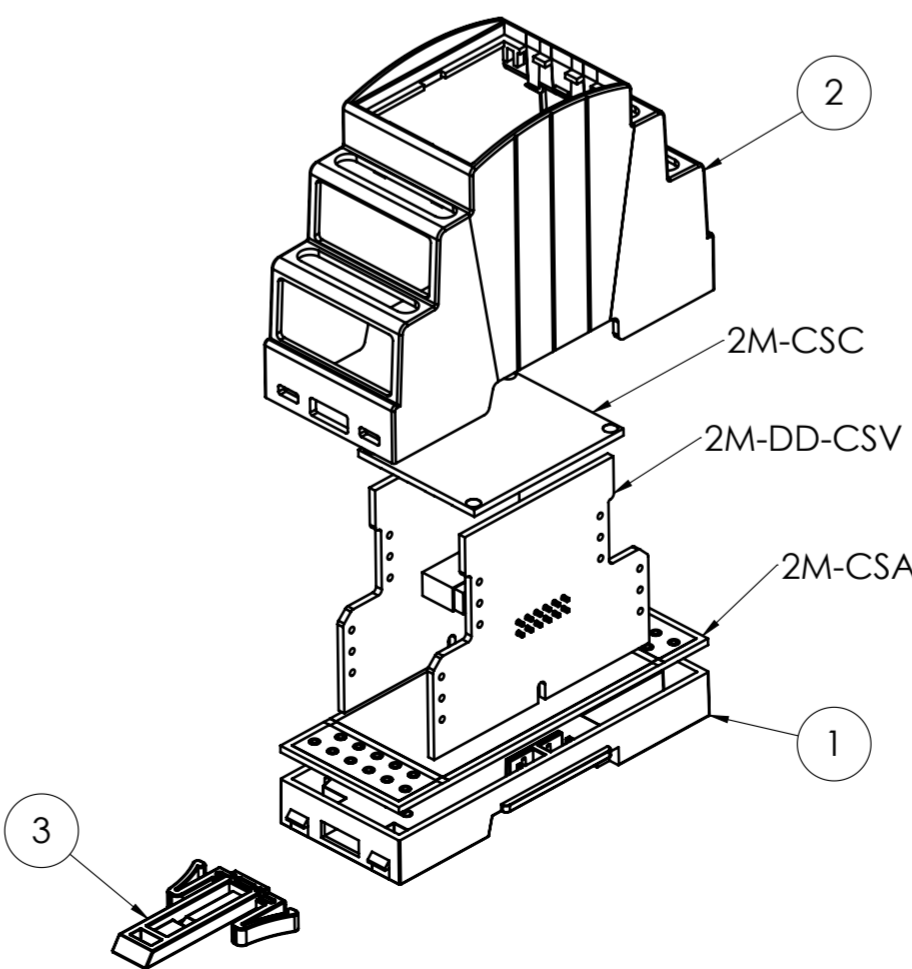
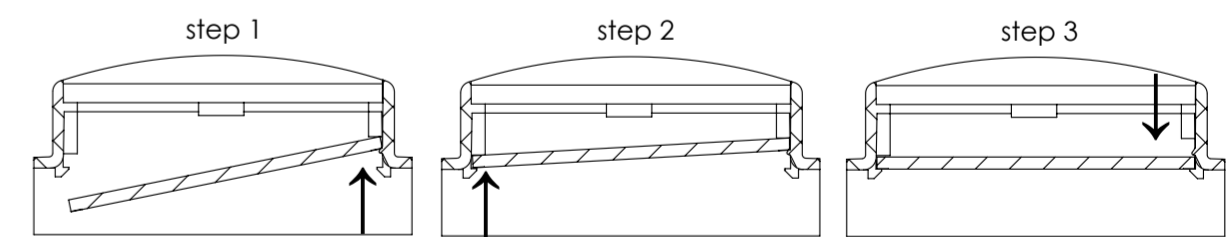
PHOENIX CONTACT  
MKDSN 2.5/3 - 1890976  
EUROCLAMP MV253-5,08-V  
SAURO MSD03005



PIN STRIP  
CONEX CFB8S207-2.54 MM  
CONEX C MA8S202



PCB-C assembly



RIF.	Q.TY	DRAWING	DESCRIPTION
1	1	2_250_00150	BASE MODULBOX XT-XTS 2M VERSION DD
2	1	2_250_00141	BODY MODULBOX XTS DD 2MH53-A2F
3	1	2_250_00072	HOOK FOR MODULBOX XT-XTS

General Tolerance UNI EN 22768/1 Media (m)					Sheet:
from 0.5 to 3	from 3 to 6	from 6 to 30	from 30 to 120	from 120 to 400	1
± 0.1	± 0.1	± 0.2	± 0.3	± 0.5	
Scale:	Drawn:	Checked:	Date:	Material:	Process:
1:1	R.N.	R.N.	02/04/2021		
Dimension in mm	Derived from:			Weight:	Cod. Mold:
	---			gr	--


 Description:  
 KIT CONTENITORE MODULBOX XTS DD 2M53-A2F  
 KIT ENCLOSURE MODULBOX XTS DD 2M53-A2F  
 Drawing nr.: **3\_250\_00073** Rev.: **01 A2**  
 italtronic.com