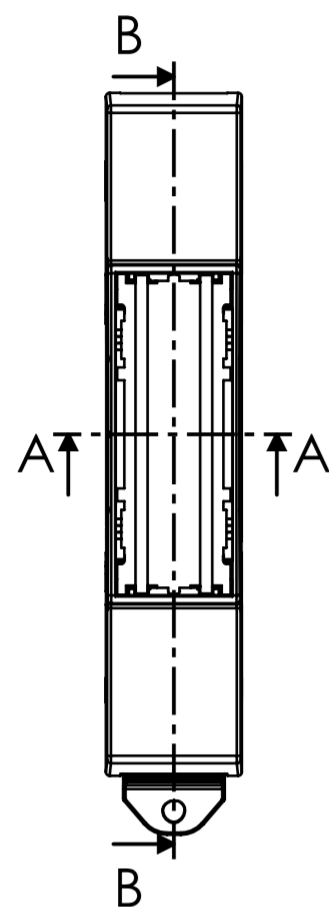
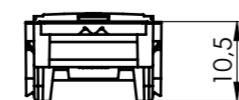
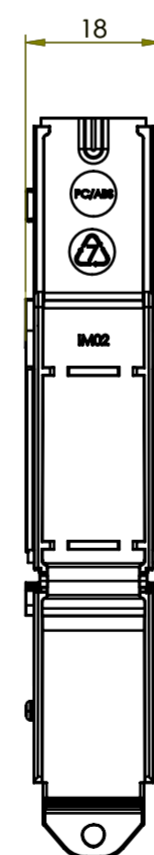
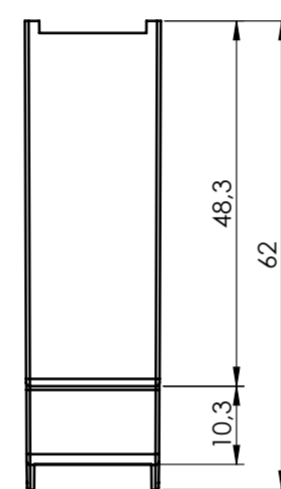
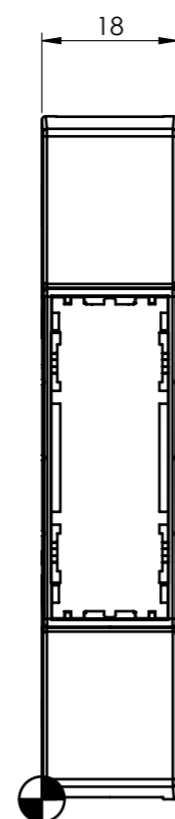
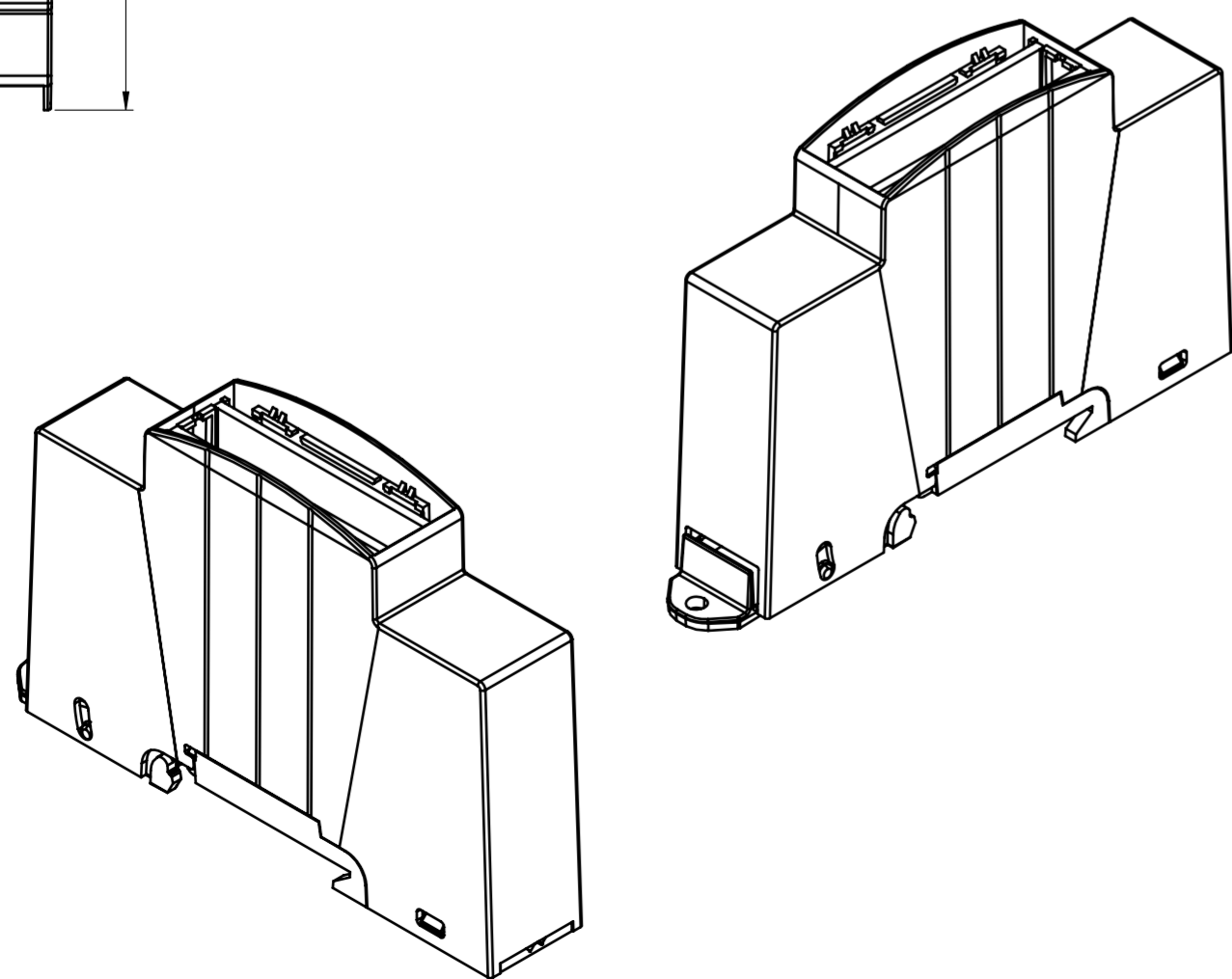
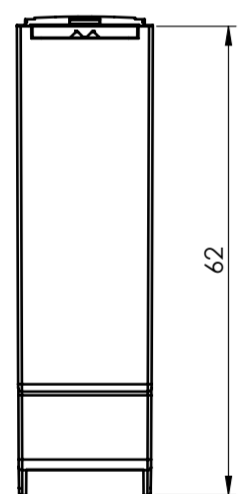
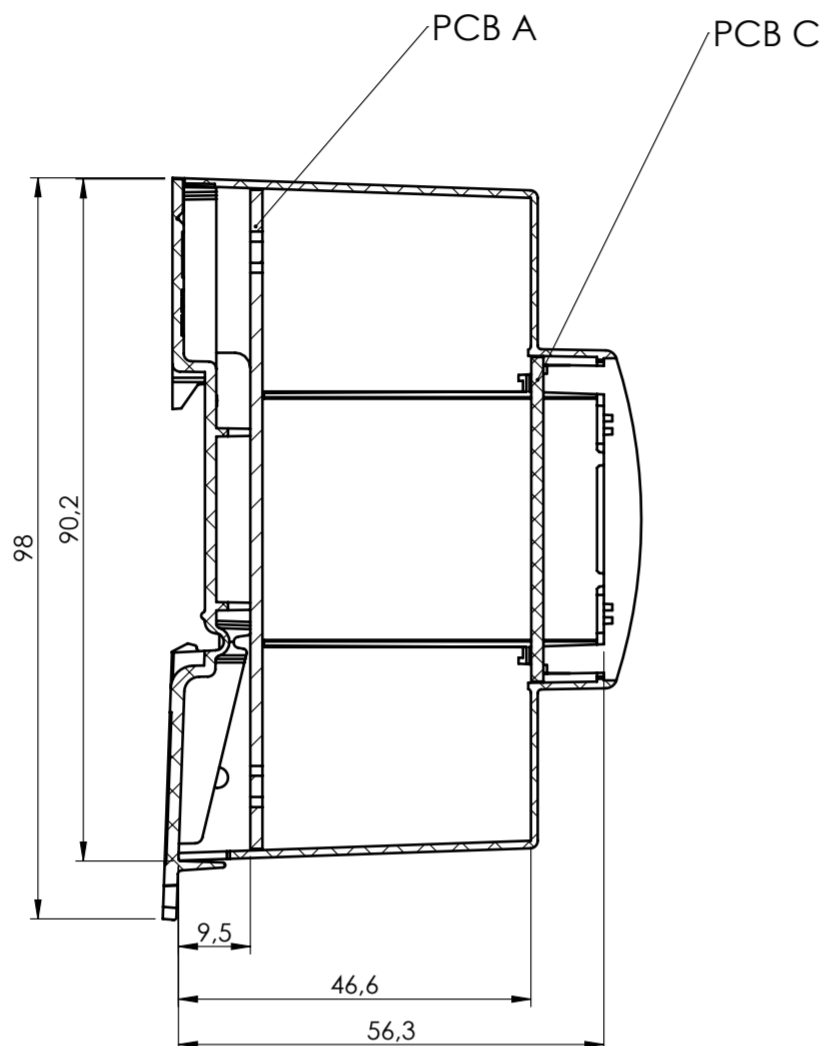


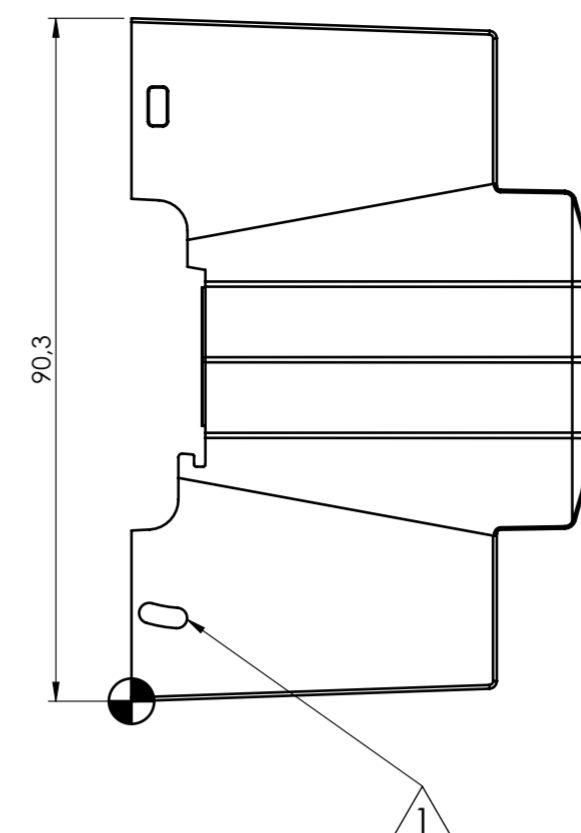
SECTION A-A



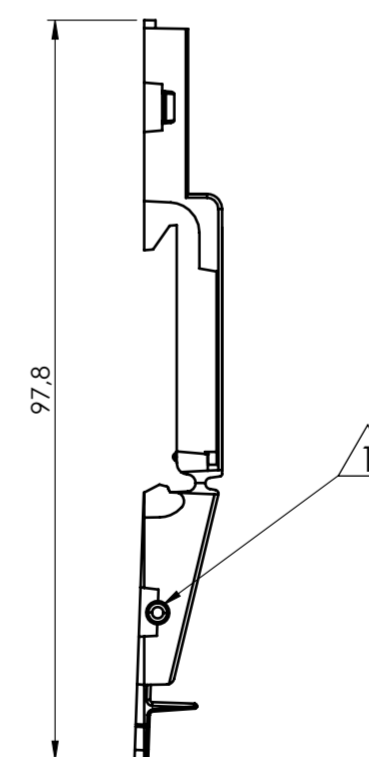
SECTION B-B



BODY ENCLOSURE

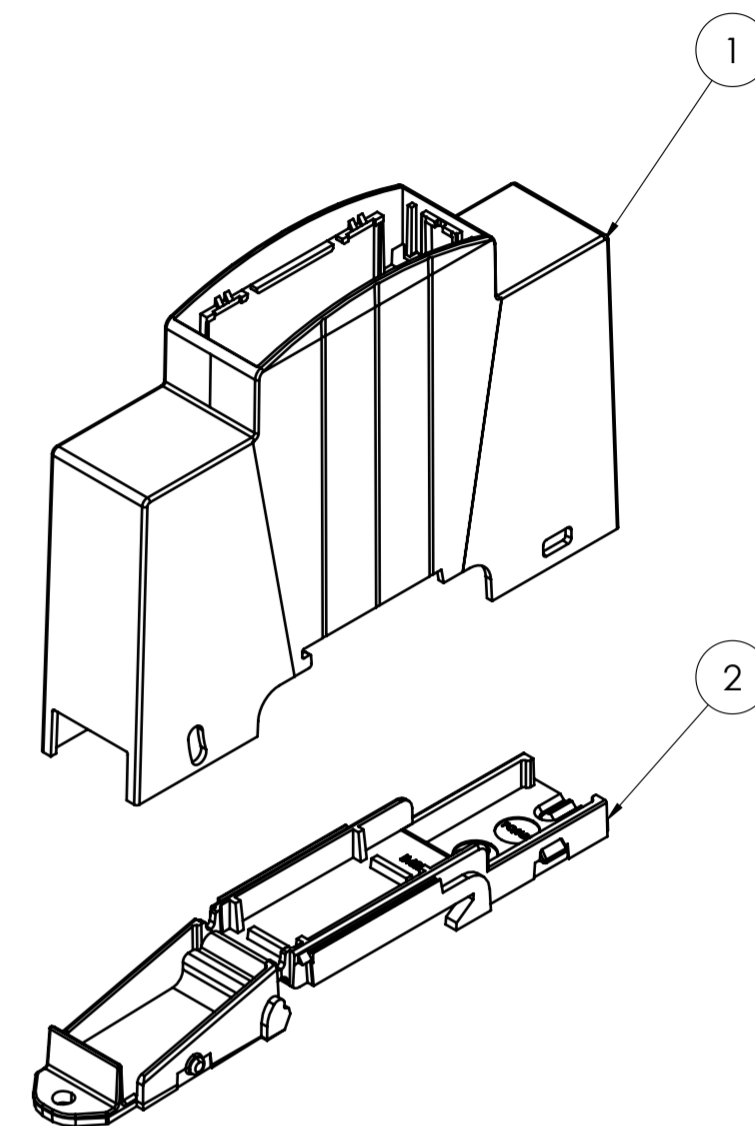


BASE



- General information:
- Workpiece zero point for mechanical processing
 - Minimum recommended radius for machining = R1.0 mm
 - Mounting rail like EN 60715: TH 35-7.5 or TH 35-15
 - Recommended PCB outline on www.italtronic.com

Revisions			
Rev.	Description	Date	Mod. by
1	Modificato il sistema di aggancio della base.	12/06/2024	M.S.



RIF.	Q.TY	DRAWING	DESCRIPTION
1	1	2_250_00133	BODY ENCLOSURE MODULBOX XTS 1M53-C
2	1	2_250_00092	BASE MODULBOX XTS 1M

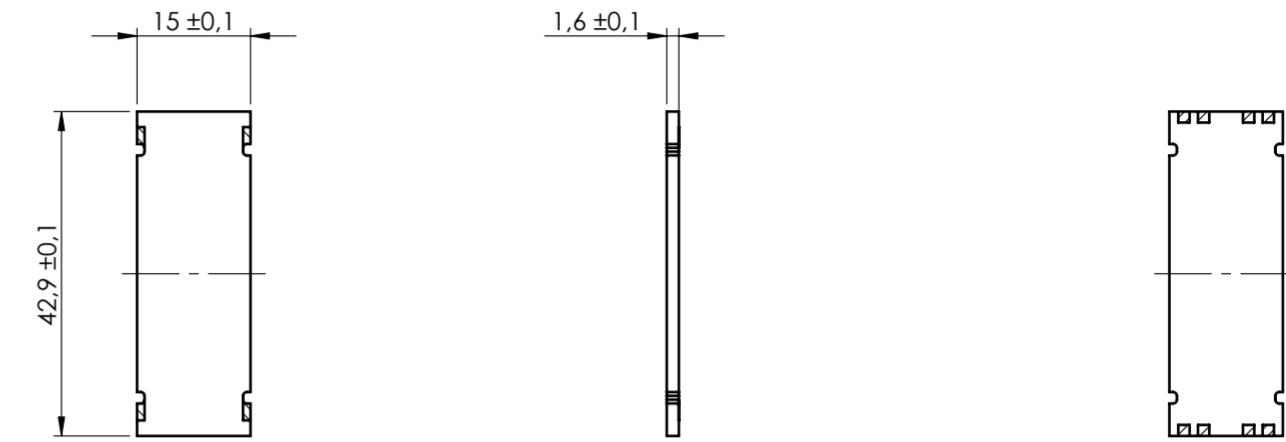
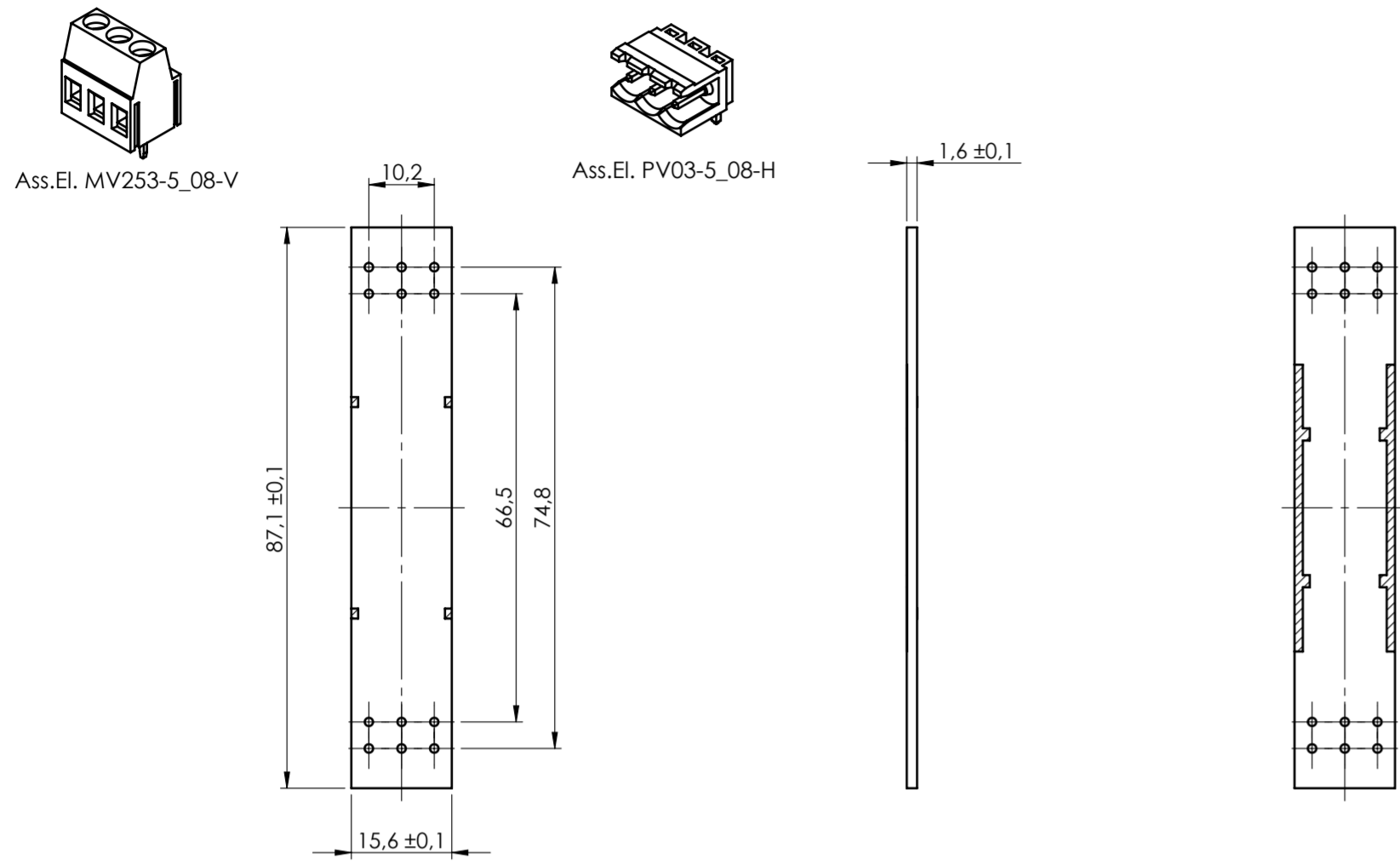
General Tolerance UNI EN 22768/1 Media (m)						Sheet:
from 0.5 to 3 ± 0.1	from 3 to 6 ± 0.1	from 6 to 30 ± 0.2	from 30 to 120 ± 0.3	from 120 to 400 ± 0.5		1
Scale:	IM:	Drawn:	Checked:	Date:	Material:	Process:
1:1	--	R.N.	R.N.	03/05/2022		
Dimension in mm		Replaces the:		Derived from:	Weight:	Cod. Mold:
		M-06132-00		--	gr	--

Description:		Rev.:
KIT CONTENITORE MODULBOX XTS 1M53-C		01
KIT ENCLOSURE MODULBOX XTS 1M53-C		A2
Drawing nr.:		
3_250_00080		

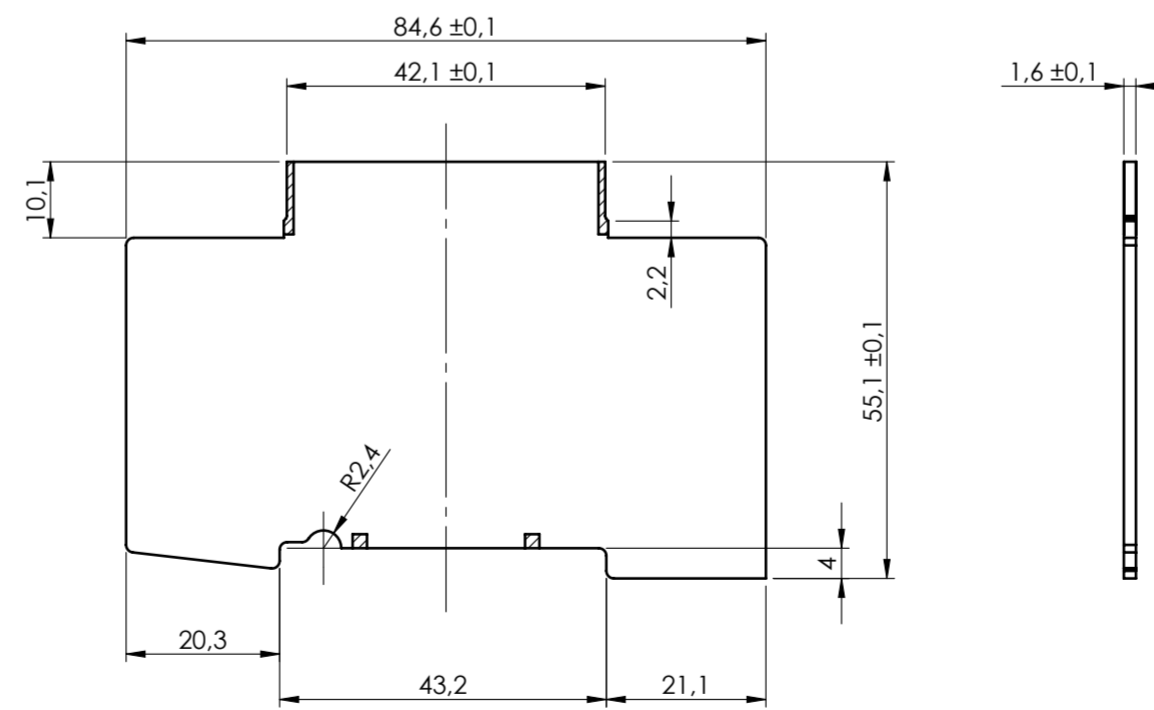


PCB A

PCB C



PCB V



NO COMPONENTS AREA

General Tolerance UNI EN 22768/1 Media (m)					Sheet:
from 0.5 to 3 ± 0.1	from 3 to 6 ± 0.1	from 6 to 30 ± 0.2	from 30 to 120 ± 0.3	from 120 to 400 ± 0.5	PCB
Scale:	Drawn:	Checked:	Date:	Material:	Process:
1:1	R.N.	R.N.	03/05/2022		
Dimension in mm		Derived from:	Weight:	Cod. Mold:	
		--	gr	--	
 enclosures for electronics italtronic.com		Description: KIT CONTENITORE MODULBOX XTS 1M53-C KIT ENCLOSURE MODULBOX XTS 1M53-C			Rev.:
		Drawing nr.:	3_250_00080		01 A2