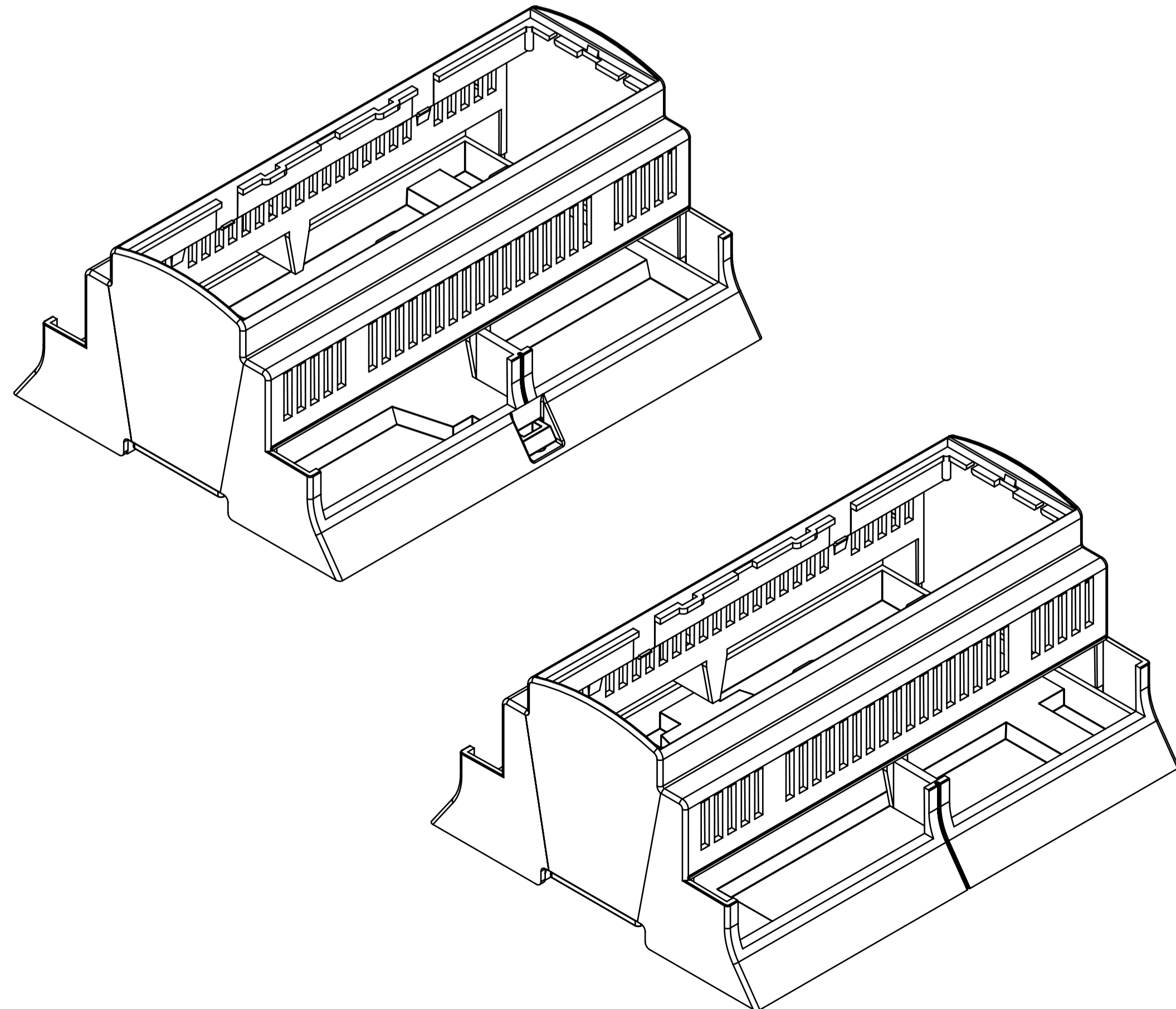
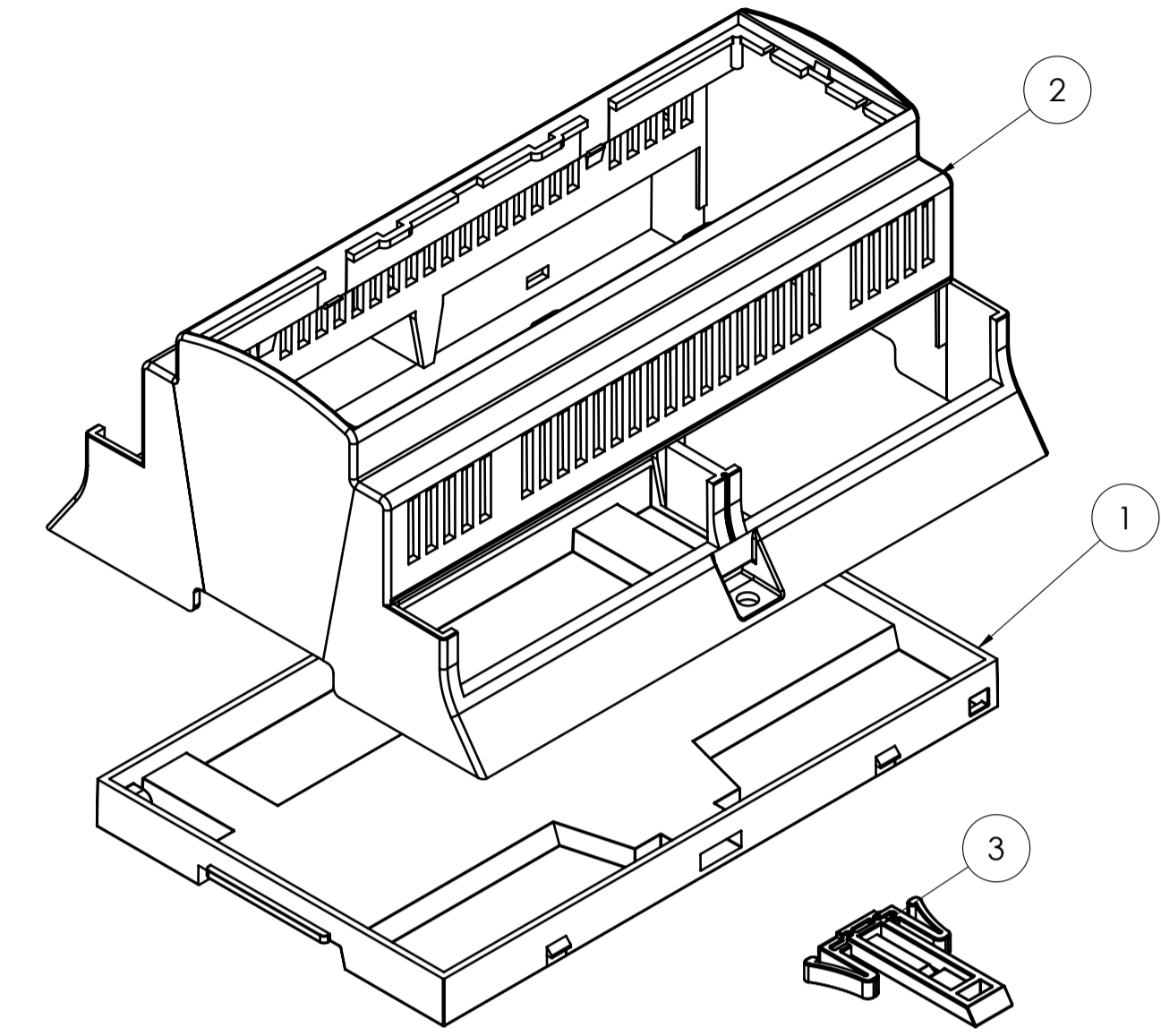
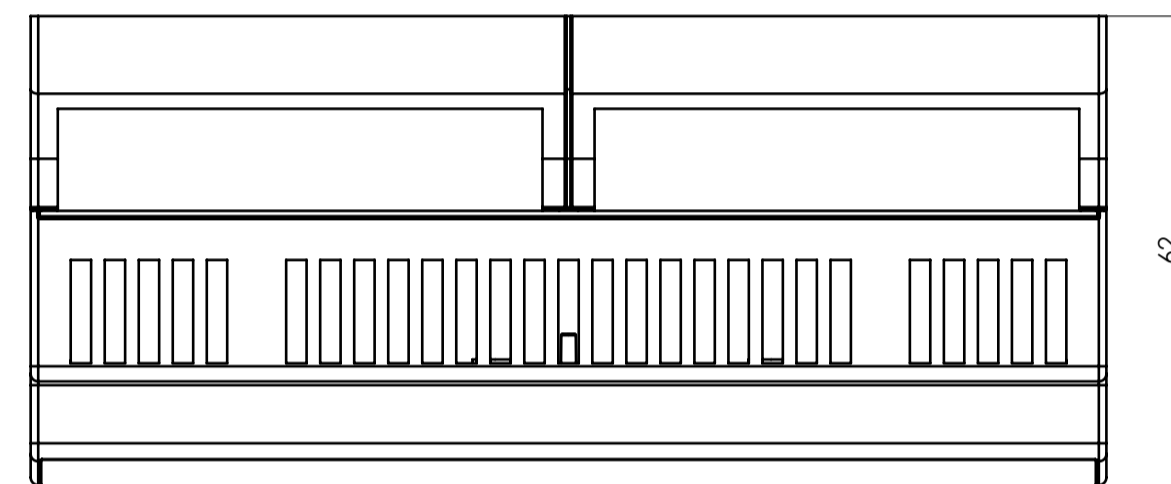
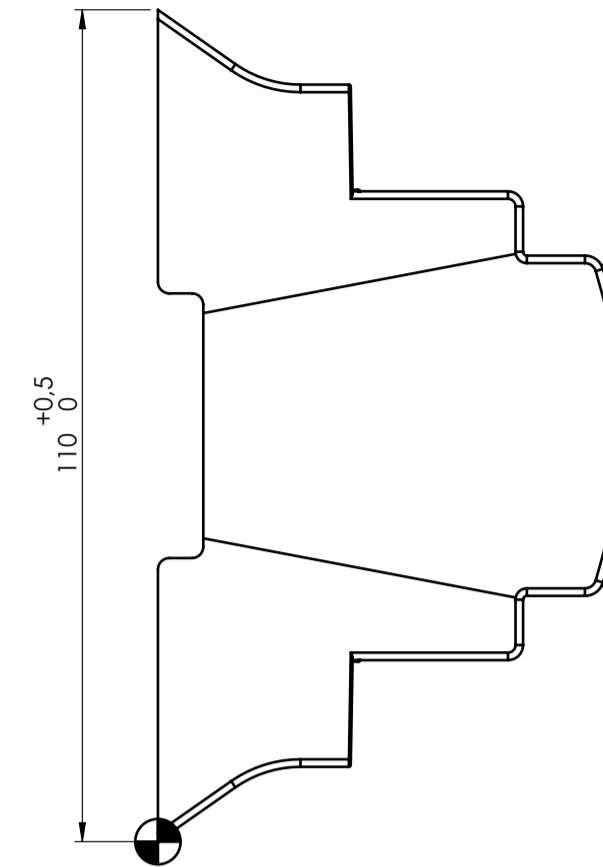
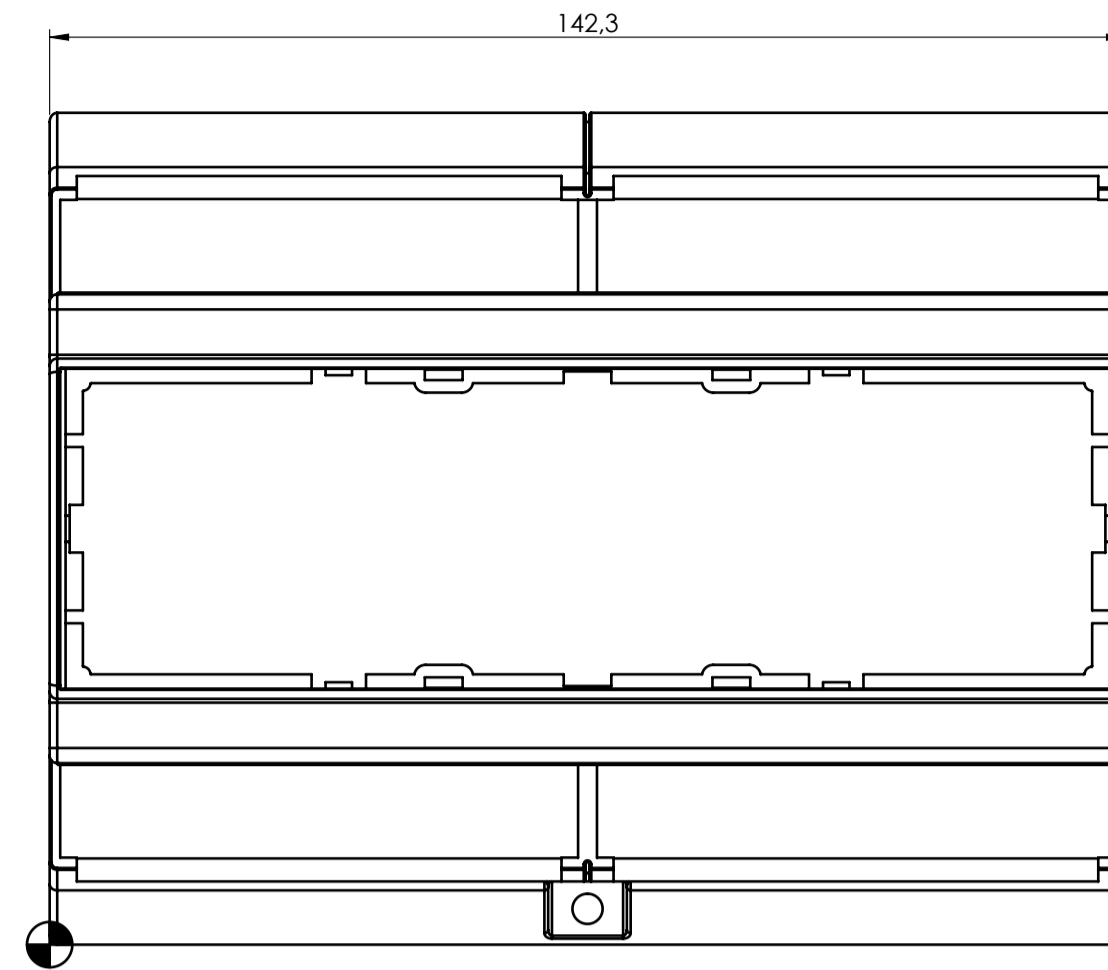
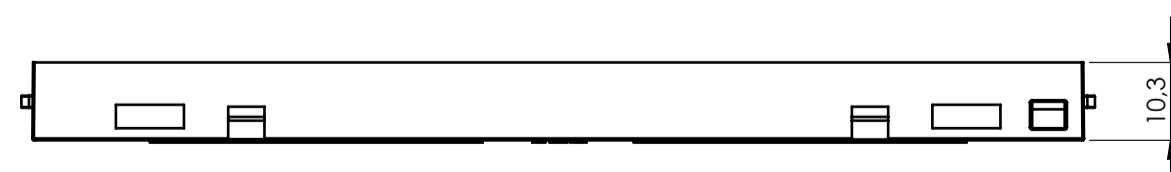
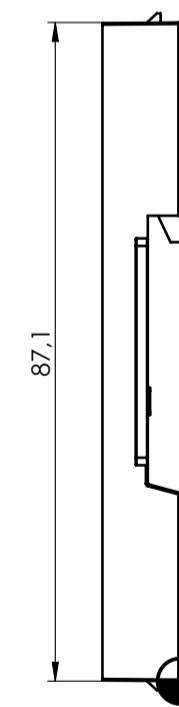
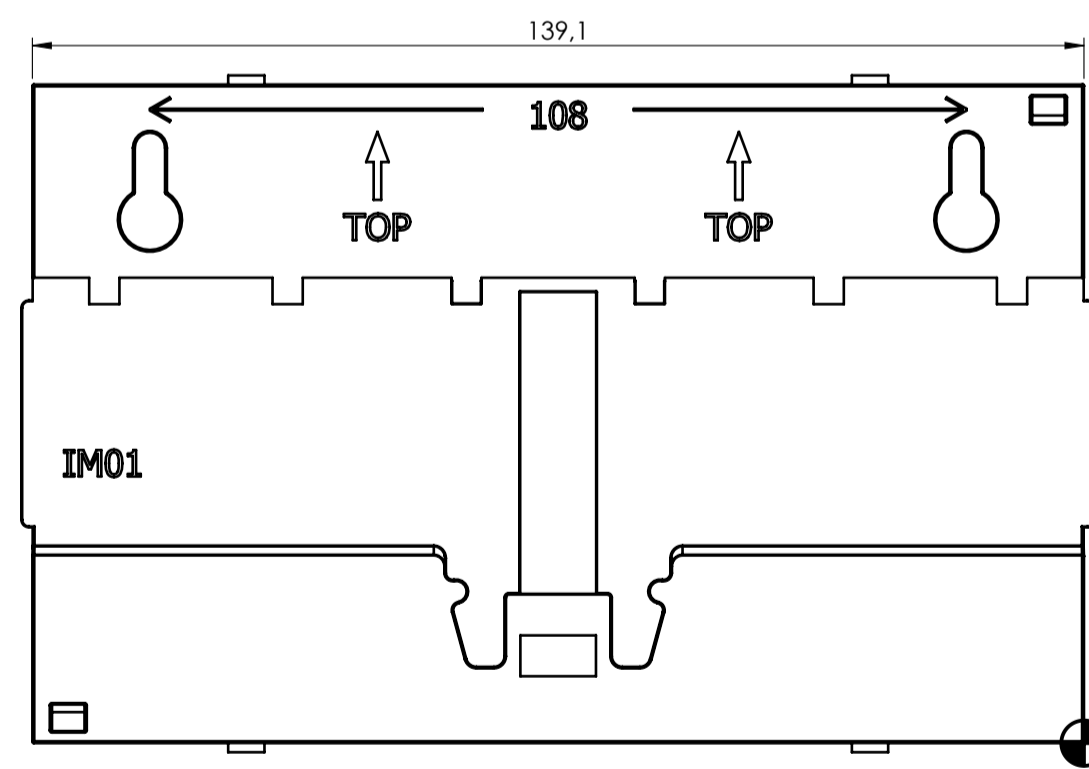


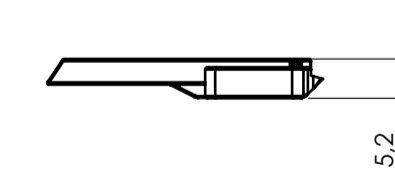
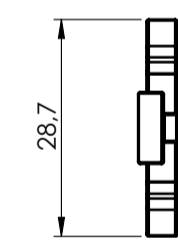
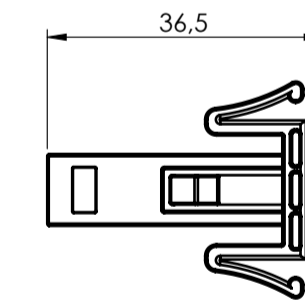
BODY ENCLOSURE



BASE



HOOK



General information:
 - Workpiece zero point for mechanical processing
 - Minimum recommended radius for machining = R1.0 mm
 - Mounting rail like EN 60715; TH 35-15
 - Recommended PCB outline on www.italtronic.com

RIF.	Q.TY	DRAWING	DESCRIPTION
1	1	2_250_03649	BASE MODULBOX XT/XTS - BM
2	1	2_250_03892	BODY ENCLOSURE MODULBOX XT 8MH53V-A
3	1	2_250_00072	HOOK FOR MODULBOX XT-XTS

General Tolerances (UNE EN 22768/1 Medio [mm])

from 0.5 to 3	from 3 to 6	from 6 to 30	from 30 to 120	from 120 to 400
±0.1	±0.1	±0.2	±0.3	±0.5

Scale: 1:1
 Drawn: F.E.
 Checked: R.N.
 Date: 11/10/2024
 Material:
 Process:
 Weight: gr
 Cod. Mod:

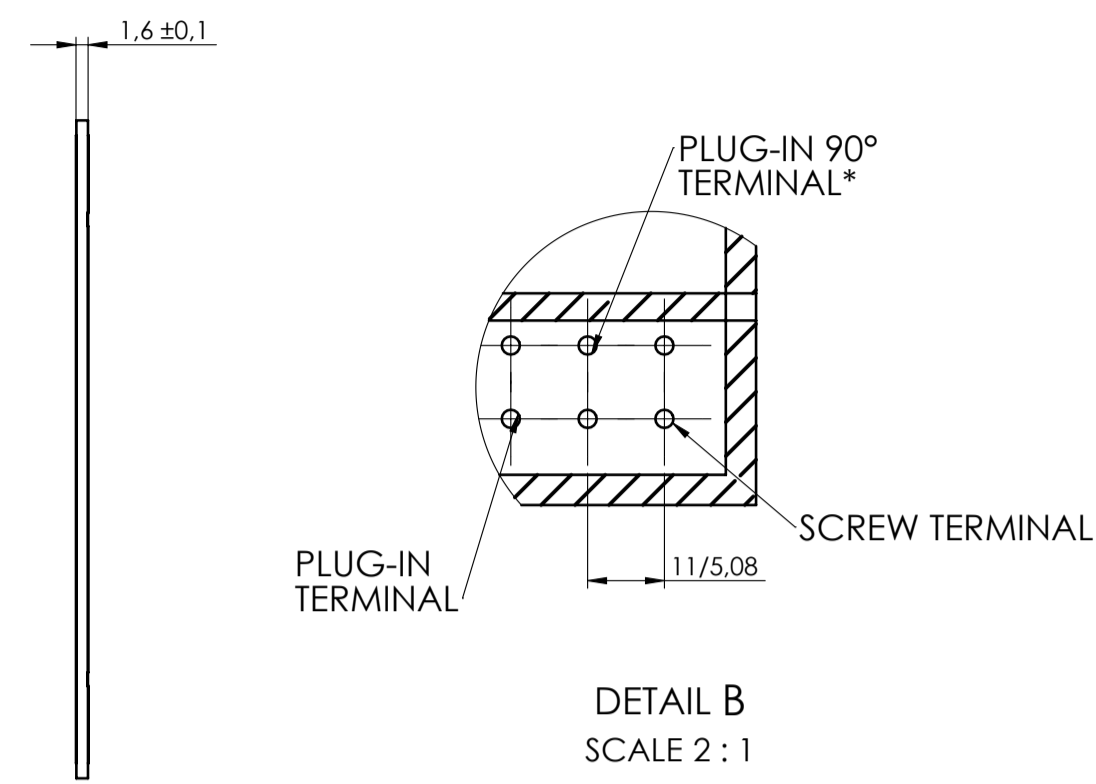
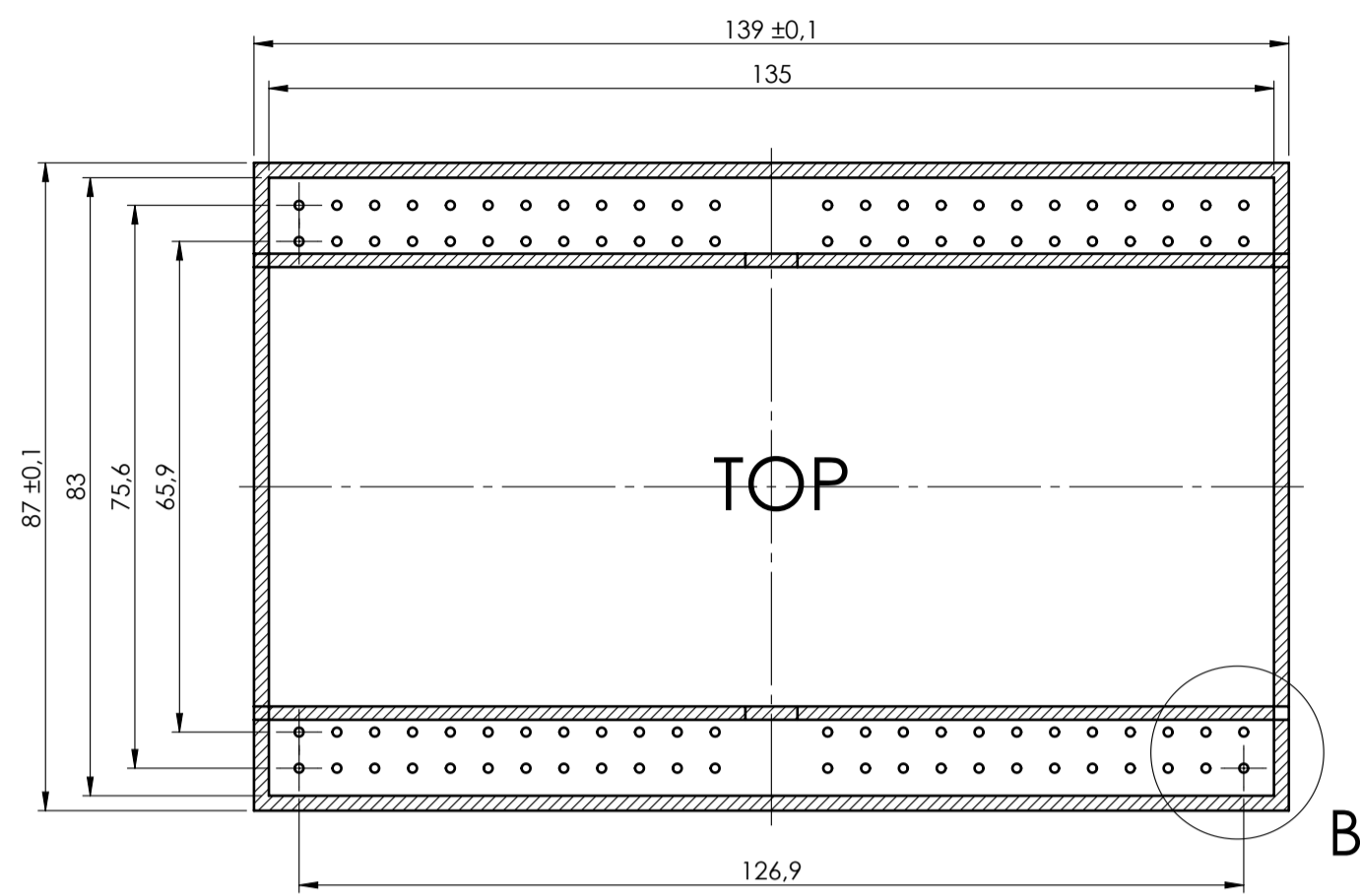
Dimension in mm

italtronic
 enclosures for electronics
italtronic.com

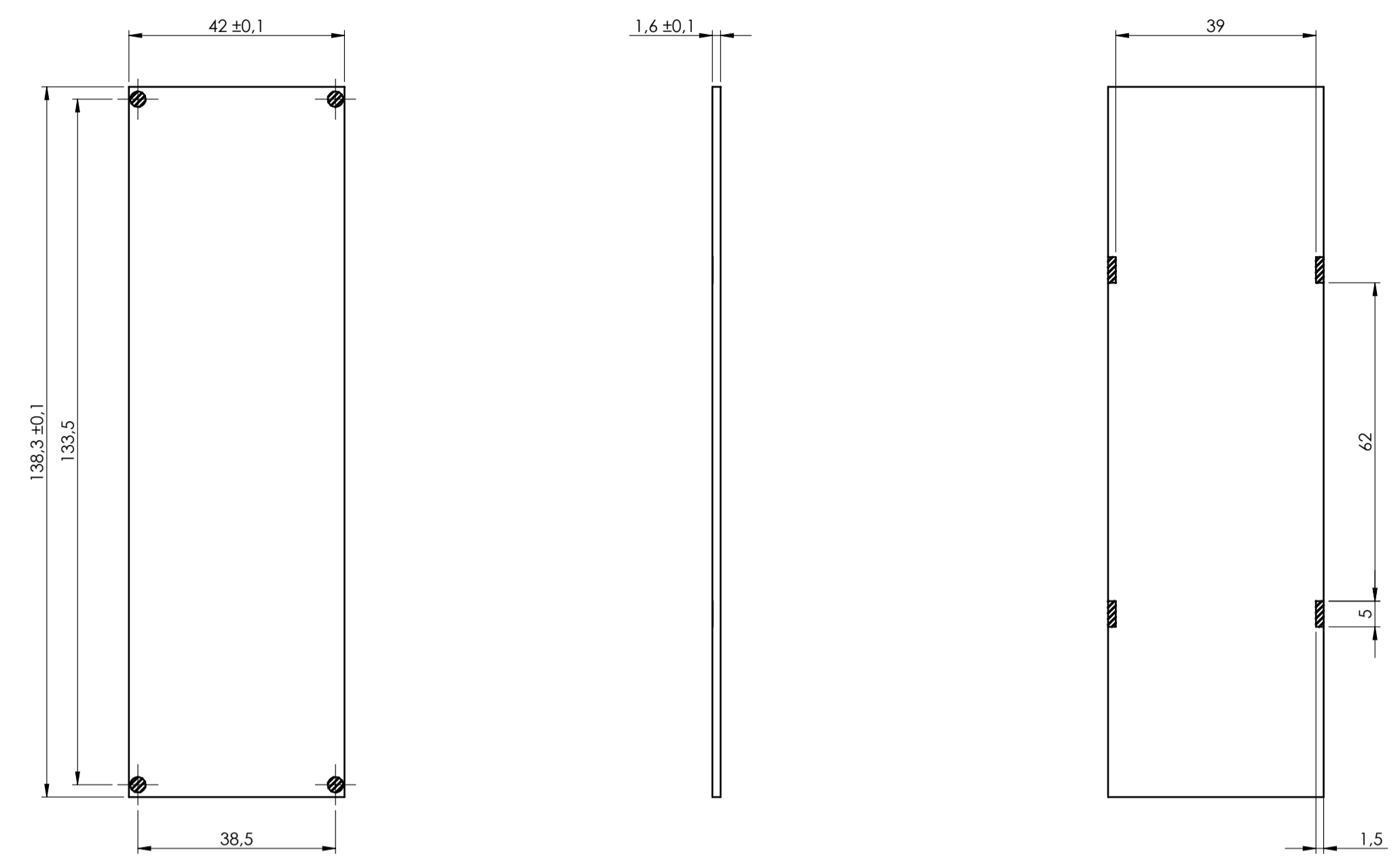
Description:
 KIT CONTENITORE MODULBOX XT 8MH53V-A VENTILATO
 KIT CONTENITORE MODULBOX XT 8MH53V-A WITH VENTS
 Drawing nr: **3_250_00223**
 Rev: 00 A1

Max height of the terminal:
 Modulbox XT/XTS: 18.5 mm
 Modulbox ONE: 20 mm

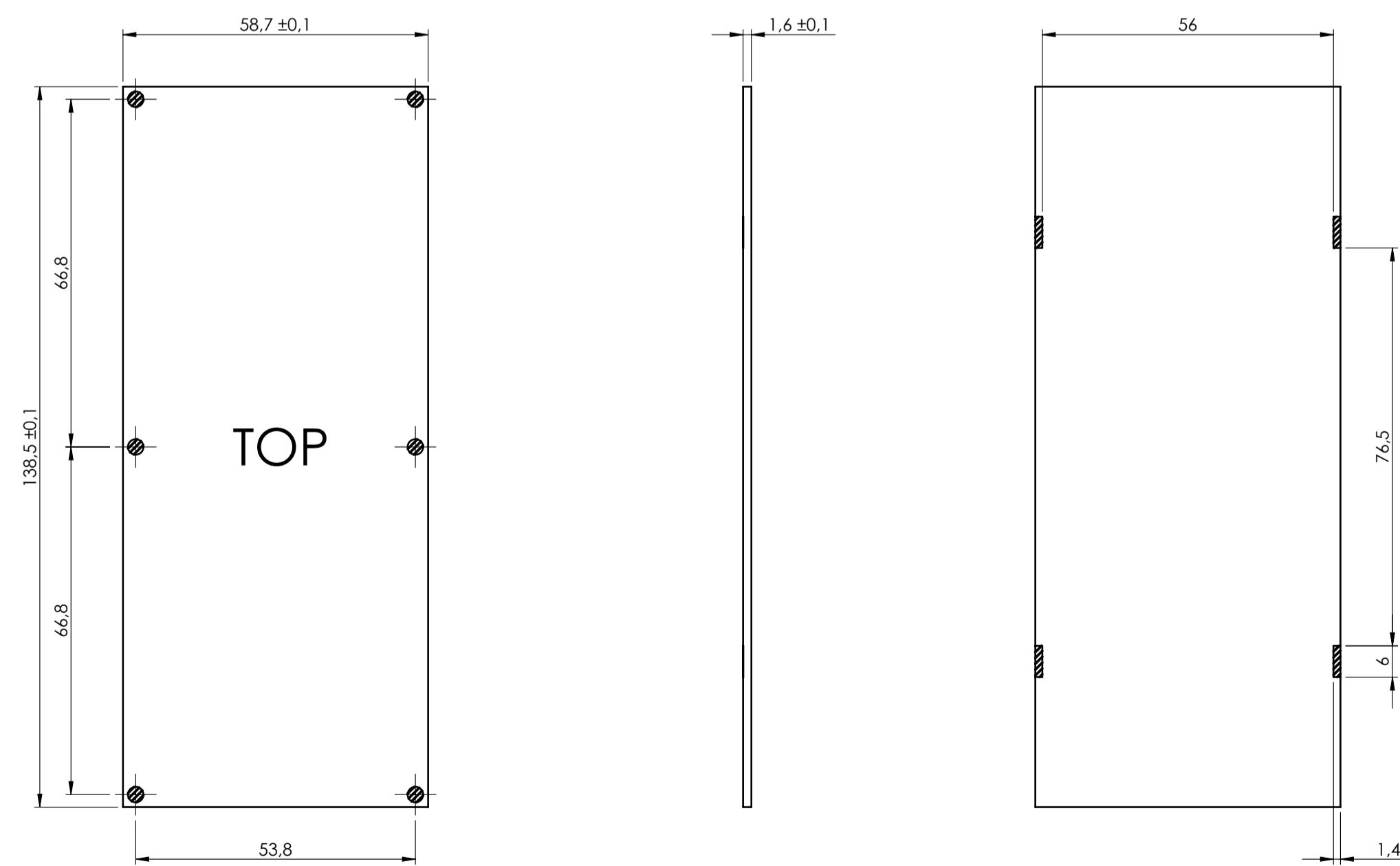
PCB A



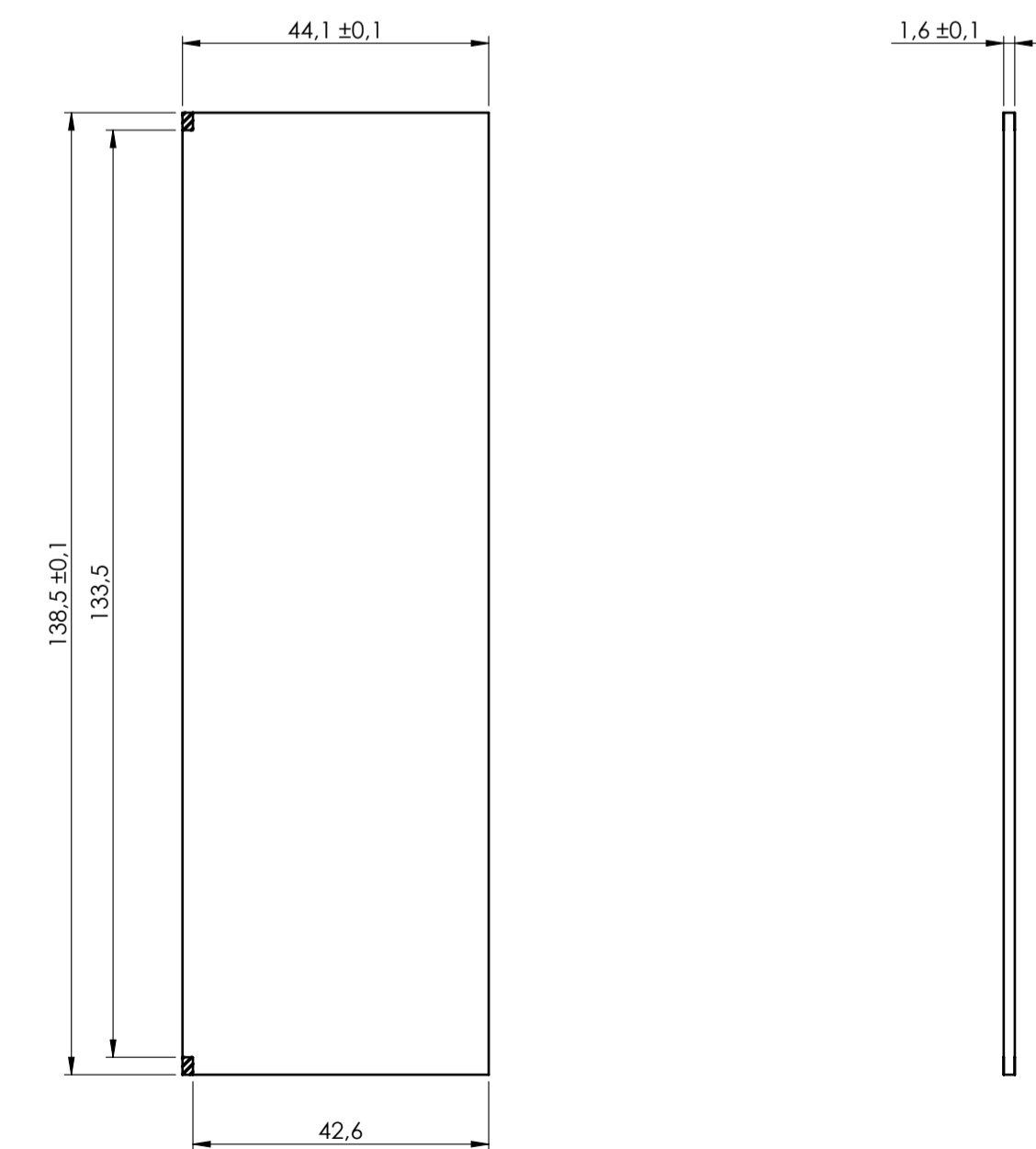
PCB C



PCB B



PCB V2



General Tolerance UNE EN 22768 / I Medio (m)				Sheet:	
from 0.5 to 3	from 3 to 6	from 6 to 30	from 30 to 120	from 120 to 400	PCB
±0.1	±0.1	±0.2	±0.3	±0.5	Process:
Scale:	Drawn:	Checked:	Date:	Material:	Weight:
1:1	F.E.	R.N.	11/10/2024		gr
Description:				Cod. Mold:	
KIT CONTENITORE MODULBOX XT 8MHS3V-A VENTILATO				--	
KIT CONTENITORE MODULBOX XT 8MHS3V-A WITH VENTS				-	
Drawing nr:				Rev.:	
3_250_00223				00 A1	

NO COMPONENTS AREA



enclosures for electronics
 italtironi.com