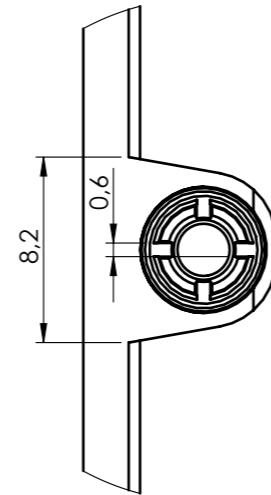
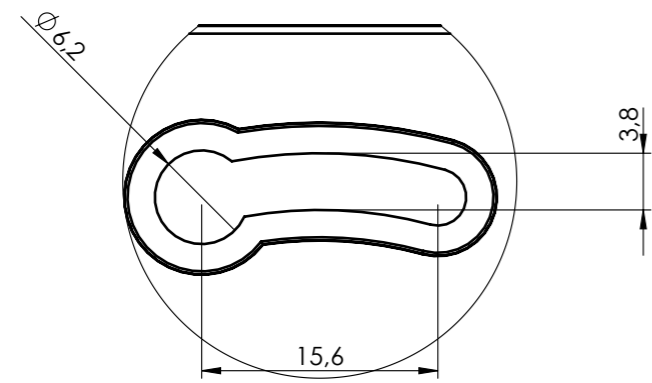
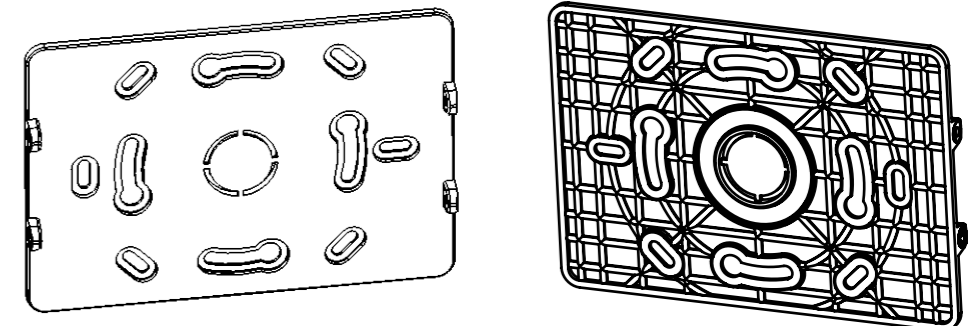


SECTION A-A



DETAIL B
SCALE 3 : 1



DETAIL C
SCALE 2 : 1

General information:
 - Workpiece zero point for mechanical processing
 - Minimum recommended radius for machining = R1.0 mm

General Tolerance UNI EN 22768/1 Media (m)					Sheet:
from 0.5 to 3 ± 0.1	from 3 to 6 ± 0.1	from 6 to 30 ± 0.2	from 30 to 120 ± 0.3	from 120 to 400 ± 0.5	1
Scale: 1:1	Drawn: R.N.	Checked: R.N.	Date: 01/03/2023	Material: ABS	Process: INJECTION
	The present drawing cannot be reproduced or communicated to 3rd parties, even partially, without the authorization of ITALTRONIC S.p.A. Italtronic reserves to protect its own rights according to the law.			Weight: 16.48 gr	Cod. Mold: ST.1400212
Description: PLACCA POSTERIORE ITOUCH PER FISSAGGIO A PARETE ITOUCH BACK PLATE FOR WALL MOUNTING				Drawing nr.:	Rev.:
italtronic enclosures for electronics italtronic.com				2_010_00046	00 A3