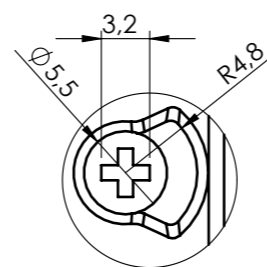
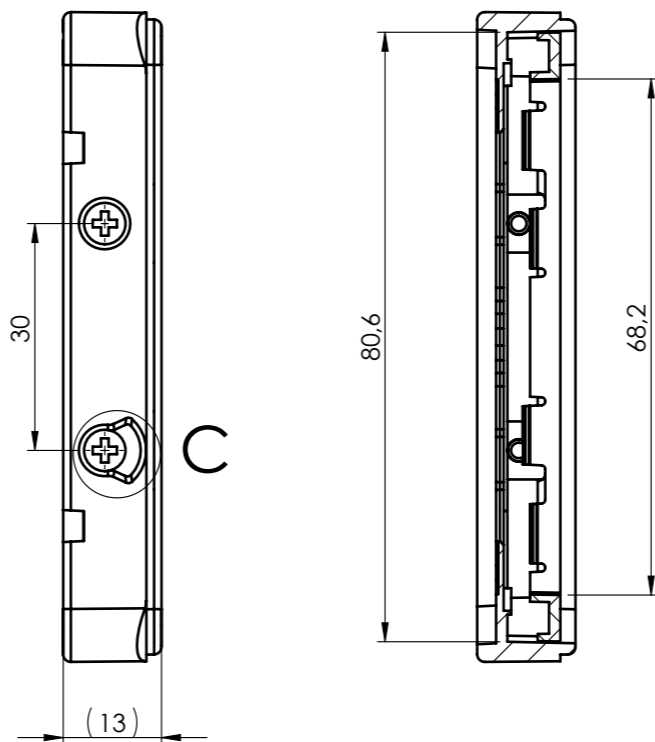
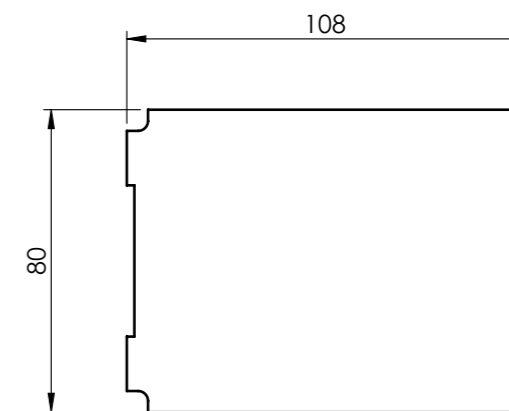
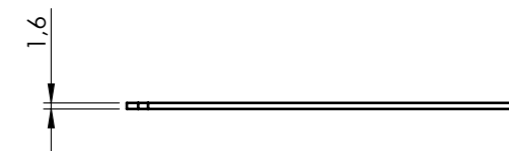
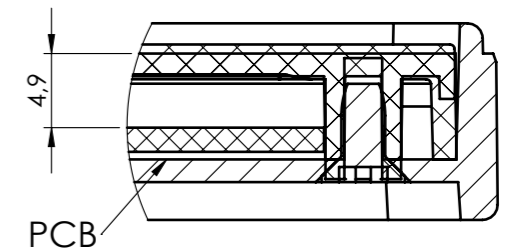


SECTION B-B

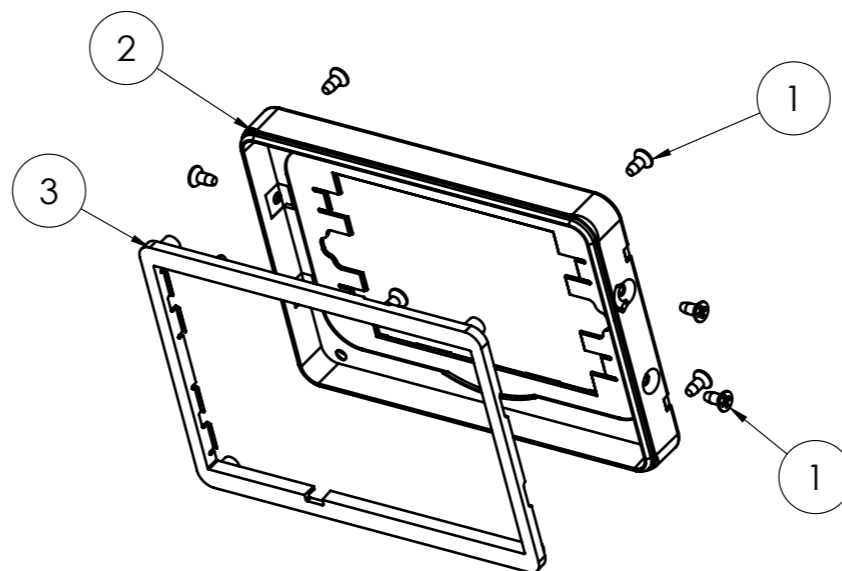
SECTION A-A



DETAIL C
SCALE 2 : 1



PCB
SCALE 1 : 2



RECOMMENDED ADHESIVE 3M VHB 9473 PC TRANSPARENT (P140000T5A)

RIF.	Q.TY	DRAWING	DESCRIPTION
1	8	8_100_00025	SCREW d 2,9 x 6,5 TS+
2	1	2_010_00036	ITOUCH BASE 80X120 H10
3	1	2_010_00044	ITOUCH INTERNAL FRAME H10-H15

General Tolerance UNI EN 22768/1 Media (m)					Sheet:
from 0.5 to 3 ± 0.1	from 3 to 6 ± 0.1	from 6 to 30 ± 0.2	from 30 to 120 ± 0.3	from 120 to 400 ± 0.5	1
Scale: 1:1	Drawed: R.N.	Checked: R.N.	Date: 01/03/2023	Material:	Process:
Dimension in mm	The present drawing cannot be reproduced or communicated to 3rd parties, even partially, without the authorization of ITALTRONIC S.p.A. Italtronic reserves to protect its own rights according to the law.			Weight: gr	Cod. Mold: --

 enclosures for electronics italtronic.com	Description: KIT CONTENITORE ITOUCH H10 ITOUCH H10 ENCLOSURE KIT		Rev.:	
	Drawing nr.: 3_010_00020		01	A3