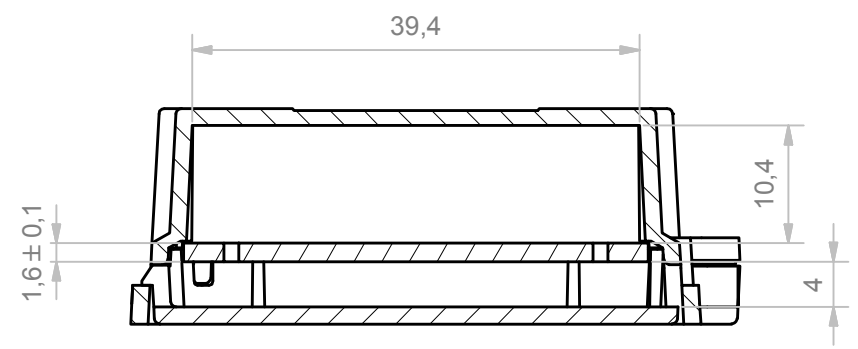
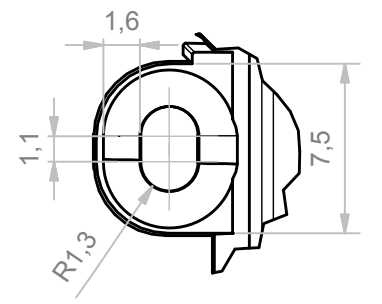


6 | 5 | 4 | 3 | 2 | 1

A-A



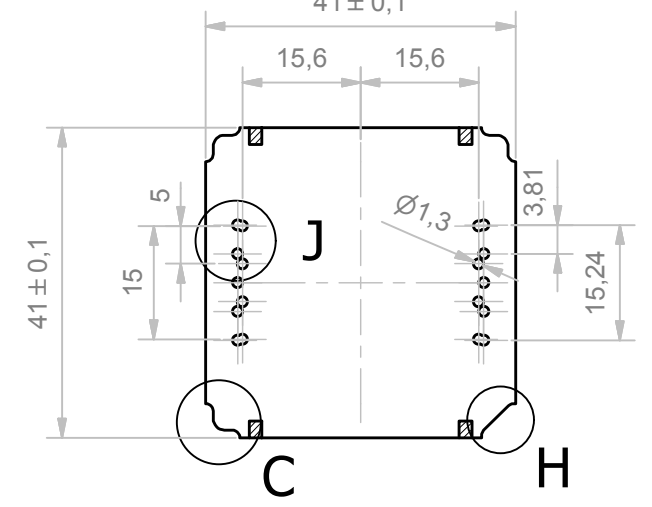
E



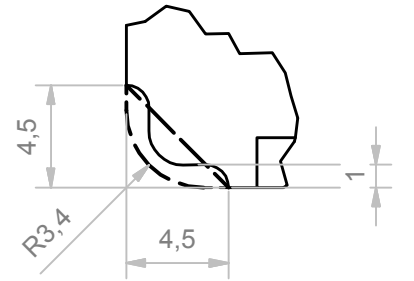
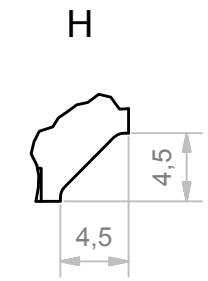
PCB

41 ± 0,1

No components zone in the solder side

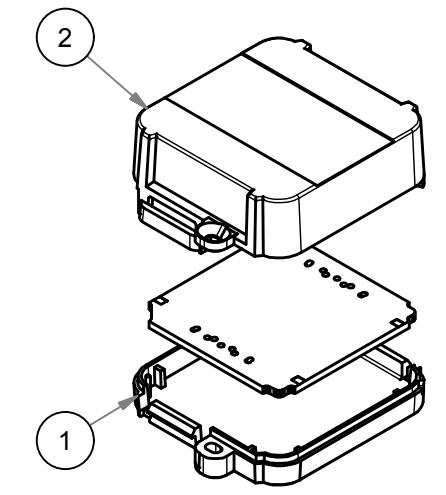
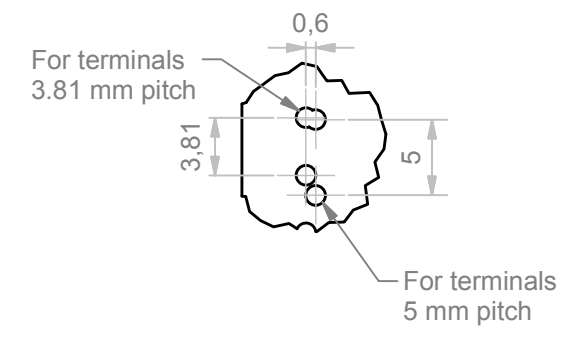


C

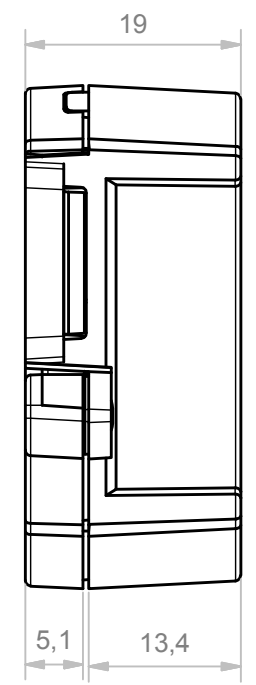
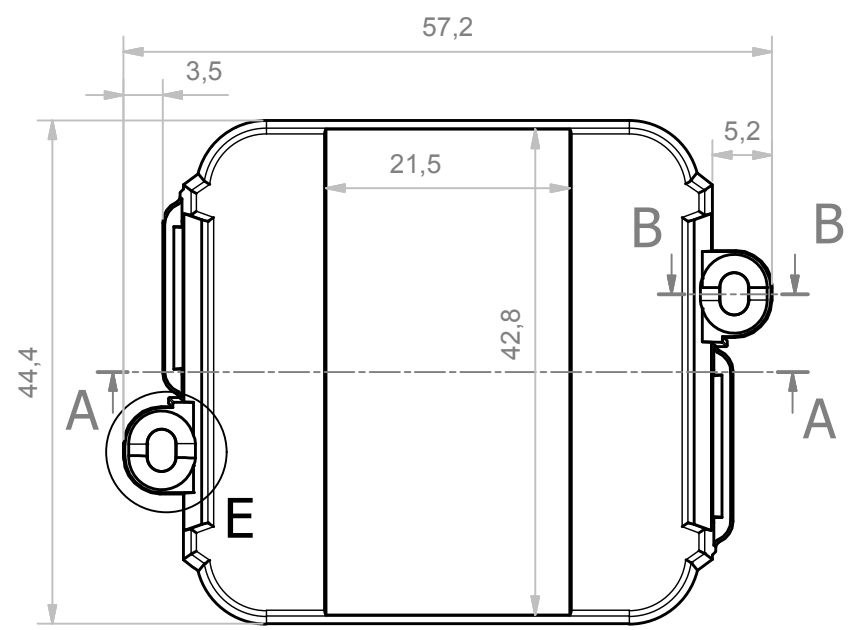


OTHER SOLUTIONS PCB

J (2 : 1)

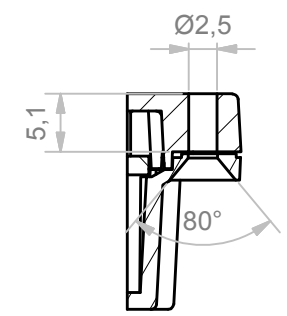


C

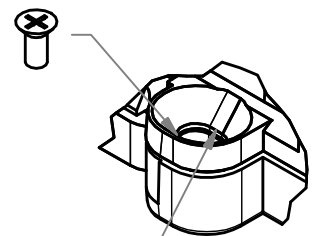


B

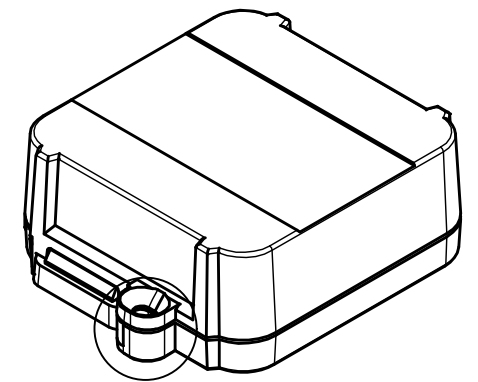
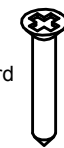
B-B



Self-tapping screws countersunk head
d2.9x6.5 mm



Screws for pressed wood or chipboard
d2.5 mm for dowel fixing to wall



D

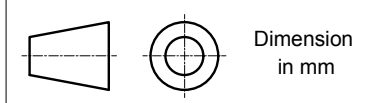
COMPONENTS LIST

RIF.	Q.TY	DESCRIPTION	CODE
1	1	BASE CBOX EURO INT D60	C-05899
2	1	COVER CBOX EURO INT D60 H19 CLOSED	C-06323

Da 0,5 a 3	Oltre 3 fino a 6	Oltre 6 fino a 30	Oltre 30 fino a 120	Oltre 120
± 0,1	± 0,1	± 0,2	± 0,3	± 0,5

RESERVED PROPERTY

The present drawing cannot be reproduced or communicated to 3d parties, even partially, without the authorization of ITALTRONIC Srl. Italtronic reserves to protect its own rights according to the law.



Dimension in mm

SHEET NR.
1 / 1

DRAWING BY
 Manual modification are not allowed

GENERAL TOLERANCE
UNI EN 22768/1
Media (m)

Date: 09/11/2015

Replace nr.

Drawn: Rigato N.

Checked: Dalla Montà D.

Scale:

5	4	3	2	1
Revision description				

Denomination:
CONTENITORE CBOX EURO D60 H19 CHIUSO
ENCLOSURE CBOX EURO D60 H19 CLOSED

ITALTRONIC S.R.L.
VIA AUSTRIA 25/D 35127
PADOVA - ITALY
www.italtronic.com

Drawing nr.
C-06353-00

6 | 5 | 4 | 3 | 2 | 1