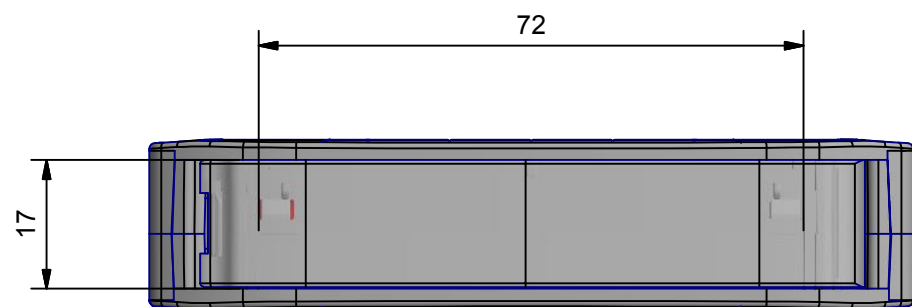
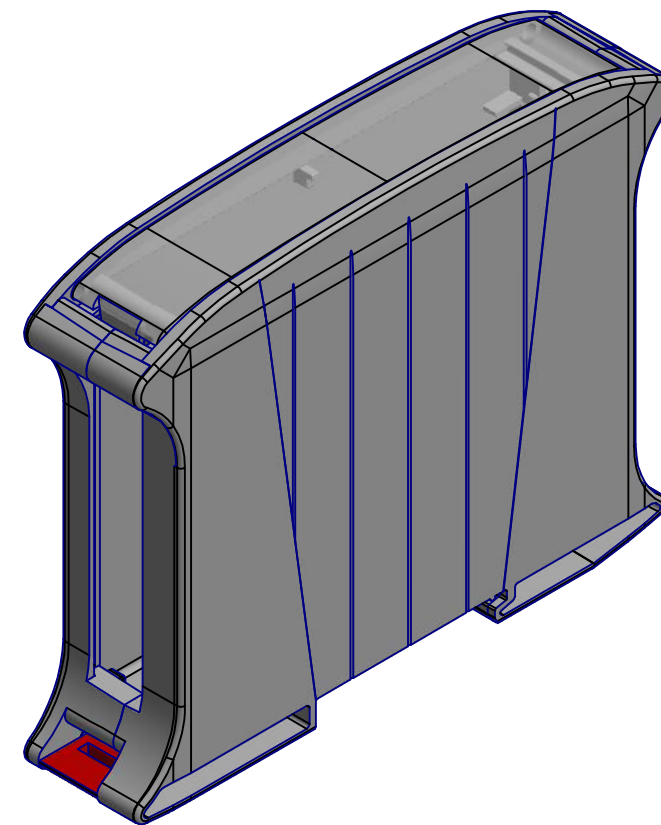
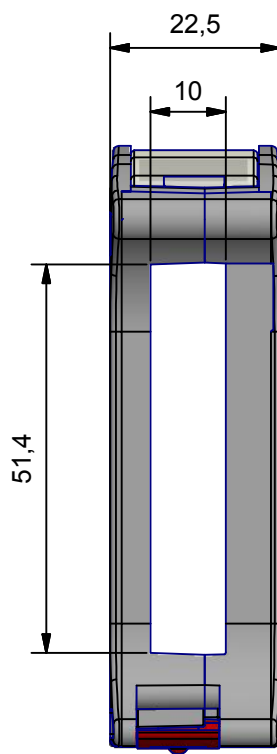
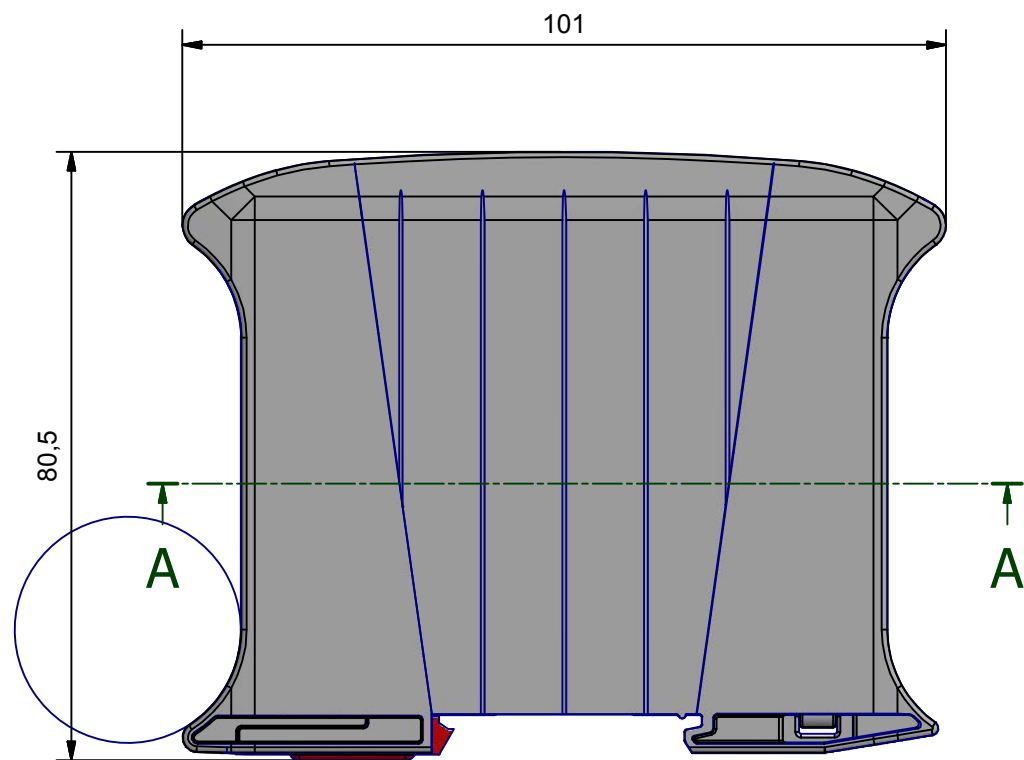
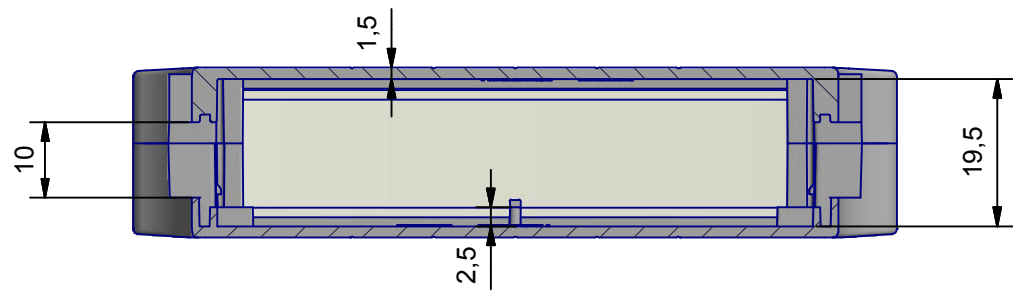


A-A (1:1)



COMPONENTS LIST			
RIF.	Q.TY	DESCRIPTION	CODE
1	1	BASE RAILBOX COMPACT	R-04170
3	1	MOLLA - SPRING	P10000000M
6	1	COPERCHIO RAILBOX COMPACT 10 mm - COVER RAILBOX COMPACT 10 mm	R-04175
7	1	AGGANCIAMENTO RAILBOX - HOOK RAILBOX	R-00249
8	1	SPORTELLO FRONTALE 17 mm - 17 mm FRONT HINGED TRANSPARENT	R-00166

Da 0,5 a 3	Oltre 3 fino a 6	Oltre 6 fino a 30	Oltre 30 fino a 120	Oltre 120
± 0,1	± 0,1	± 0,2	± 0,3	± 0,5

RESERVED PROPERTY

The present drawing cannot be reproduced or communicated to 3d parties, even partially, without the authorization of ITALTRONIC Srl. Italtronic reserves to protect its own rights according to the law.



Dimension in mm

SHEET NR.
1 / 1

DRAWING BY
GAD
Manual modification are not allowed

GENERAL TOLERANCE
UNI EN 22768/1
Media (m)

Date: 14/02/2013

Replace nr.

Drawn: Rigato N.

Checked: Dalla Montà D.

Scale:

Revision description

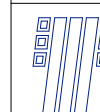
5 4 3 2 1



Denomination:

Contenitore completo Railbox Compact 22.5mm

22.5 mm complete enclosure Railbox Compact



ITALTRONIC S.R.L.
VIA AUSTRIA 25/D 35127
PADOVA - ITALY
www.italtronic.com

Drawing nr.

R-04357-00