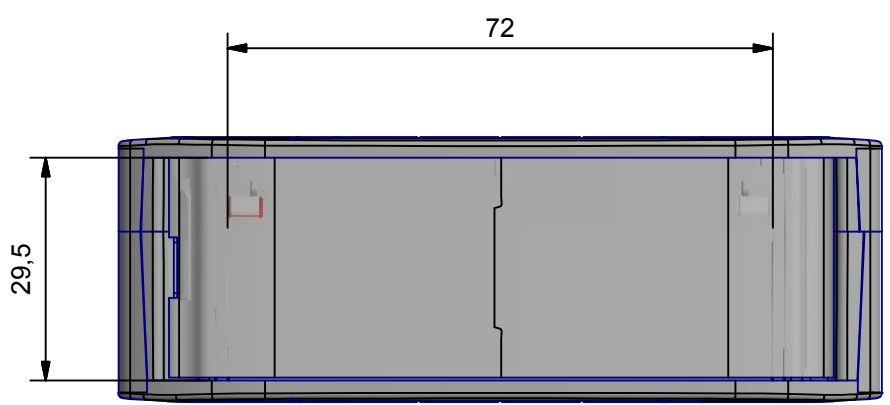
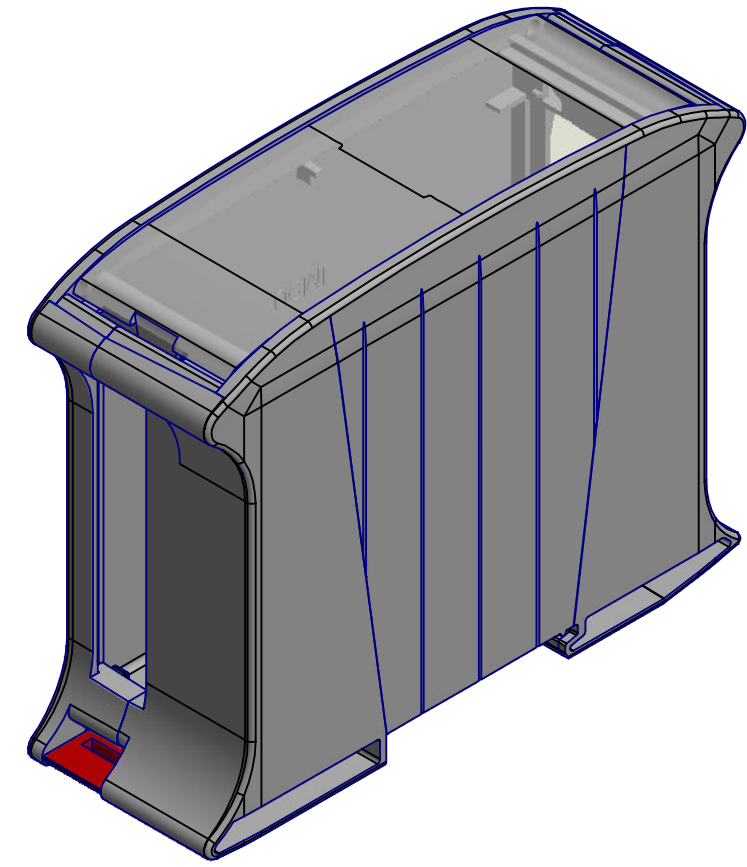
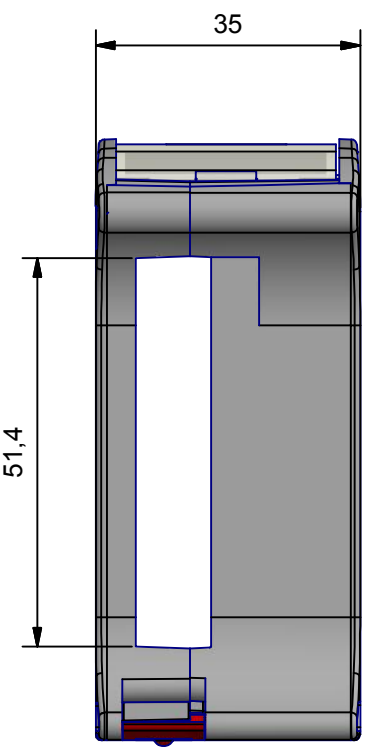
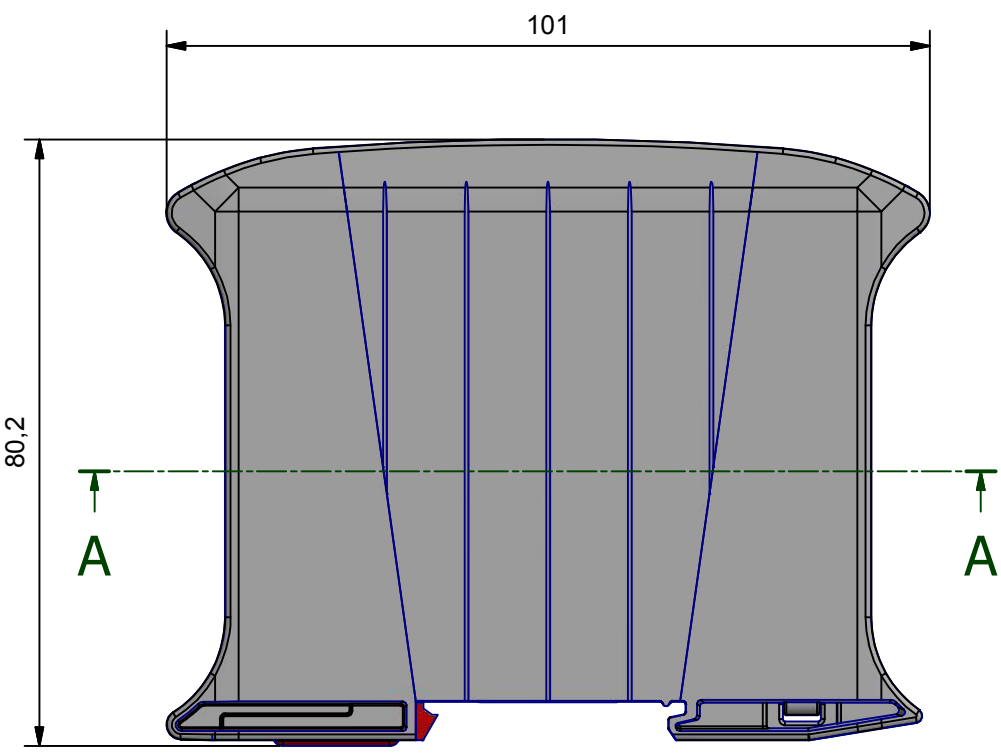
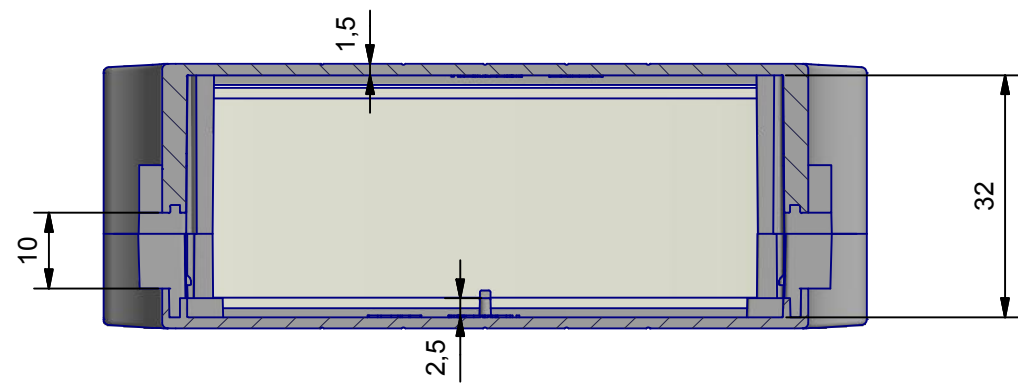


A-A (1:1)



COMPONENTS LIST				
RIF.	Q.TY	DESCRIPTION	CODE	
1	1	BASE RAILBOX COMPACT	R-04170	
2	1	AGGANCIO RAILBOX - HOOK RAILBOX	R-00249	
5	1	MOLLA - SPRING	P10000000M	
7	1	COPERCHIO RAILBOX COMPACT 22.5 mm - COVER RAILBOX COMPACT 22.5 mm	R-04176	
8	1	SPORTELLO FRONTALE TRASPARENTE 29mm - 29mm FRONT HINGED TRANSPARENT	R-02889	
Da 0,5 a 3		Oltre 3 fino a 6	Oltre 6 fino a 30	Oltre 30 fino a 120
± 0,1		± 0,1	± 0,2	± 0,3
				± 0,5

RESERVED PROPERTY The present drawing cannot be reproduced or communicated to 3d parties, even partially, without the authorization of ITALTRONIC Srl. Italtronic reserves to protect its own rights according to the law.	Dimension in mm	SHEET NR.	DRAWING BY	GENERAL TOLERANCE
		1 / 1	Manual modification are not allowed	UNI EN 22768/1 Media (m)
Date:	14/02/2013	Replace nr.		
Drawed:	Rigato N.	Checked:	Dalla Montà D.	Scale:

5	4	3	2	1
Revision description				

UN PARTNER PER IL FUTURO

Denomination:

Contenitore completo Railbox Compact 35 mm

35 mm complete enclosure Railbox Compact

VIA AUSTRIA 25/D 35127
PADOVA - ITALY
www.italtronic.com

Drawing nr.

R-04359-00