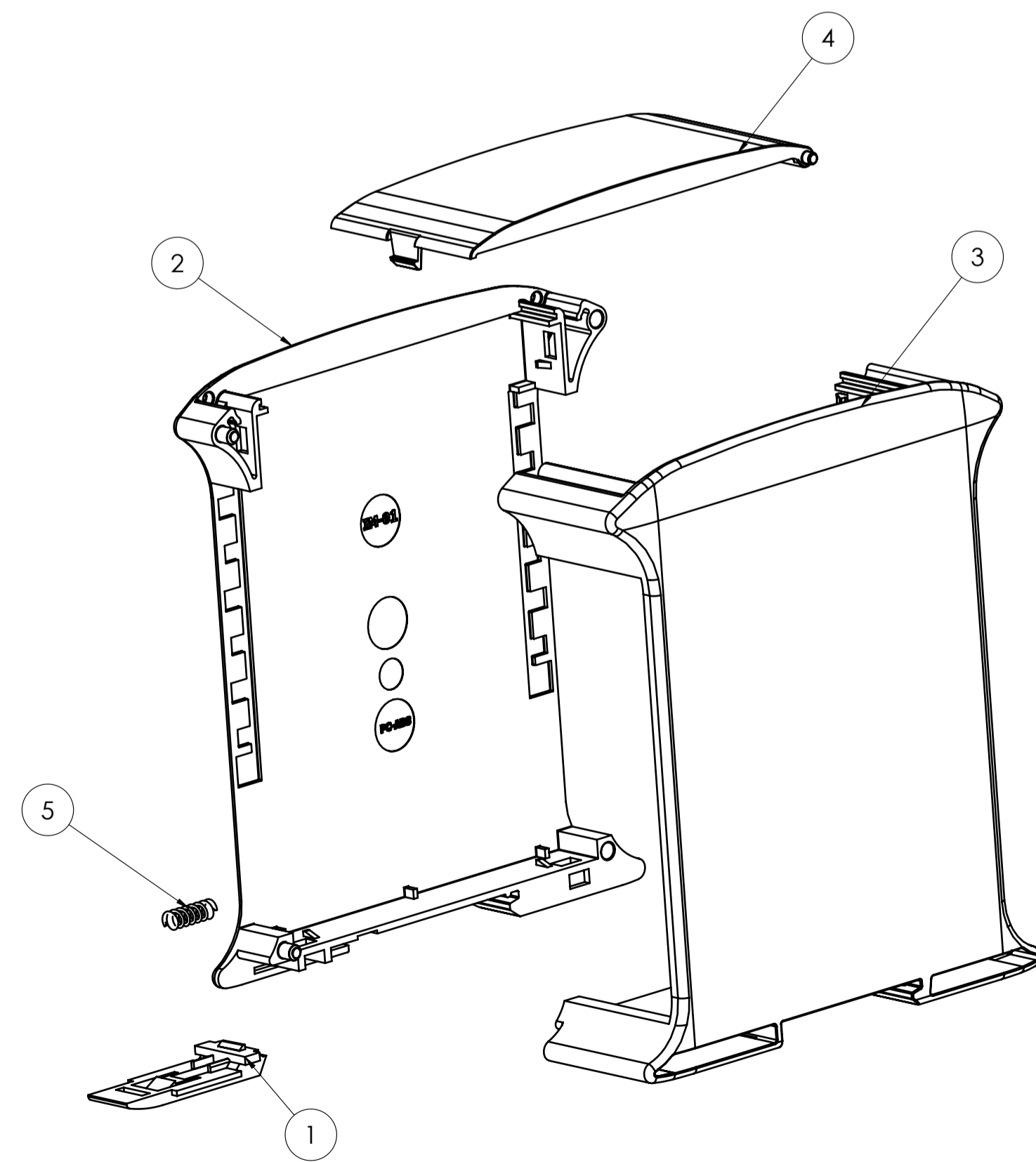
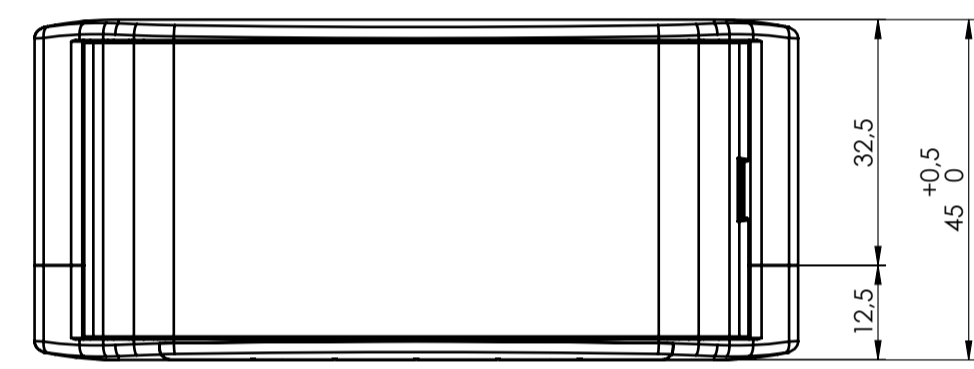
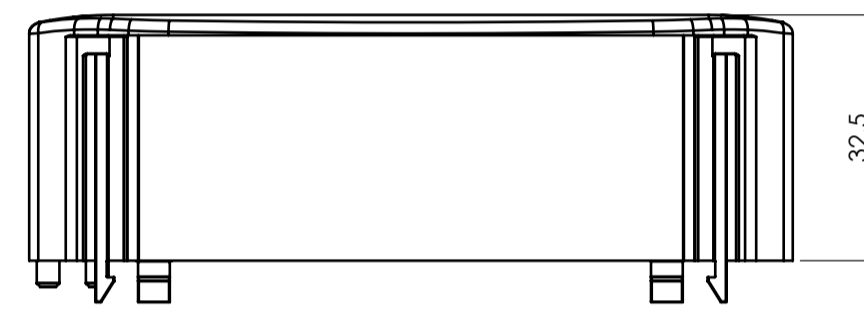
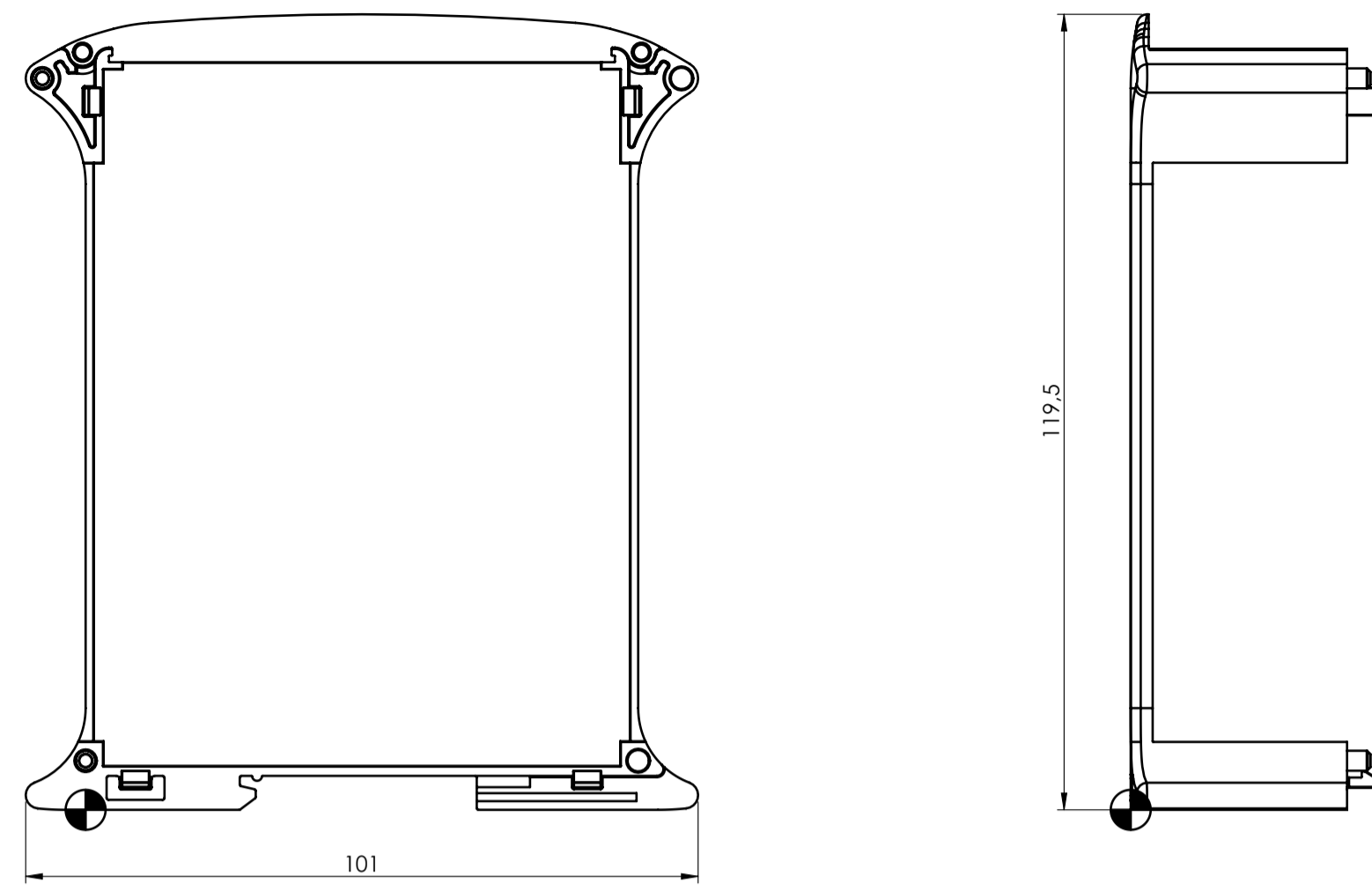


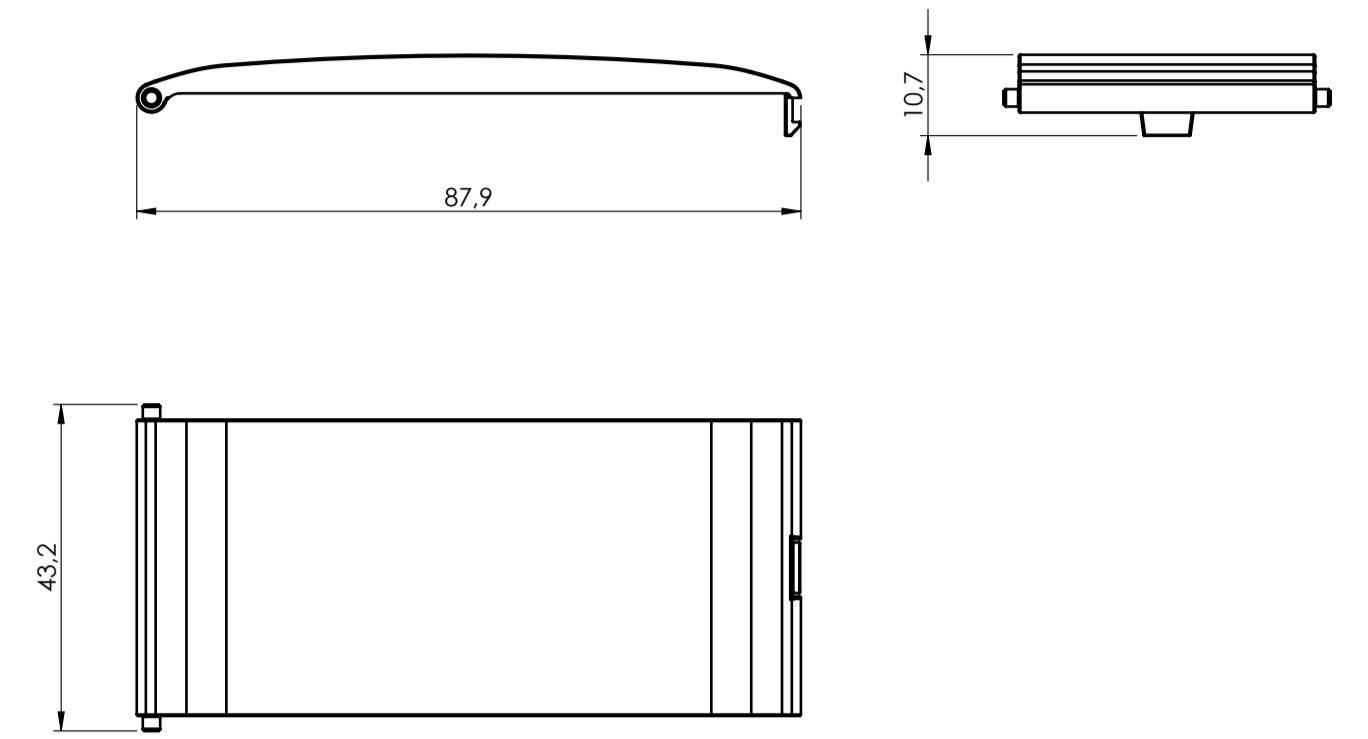
SECTION A-A



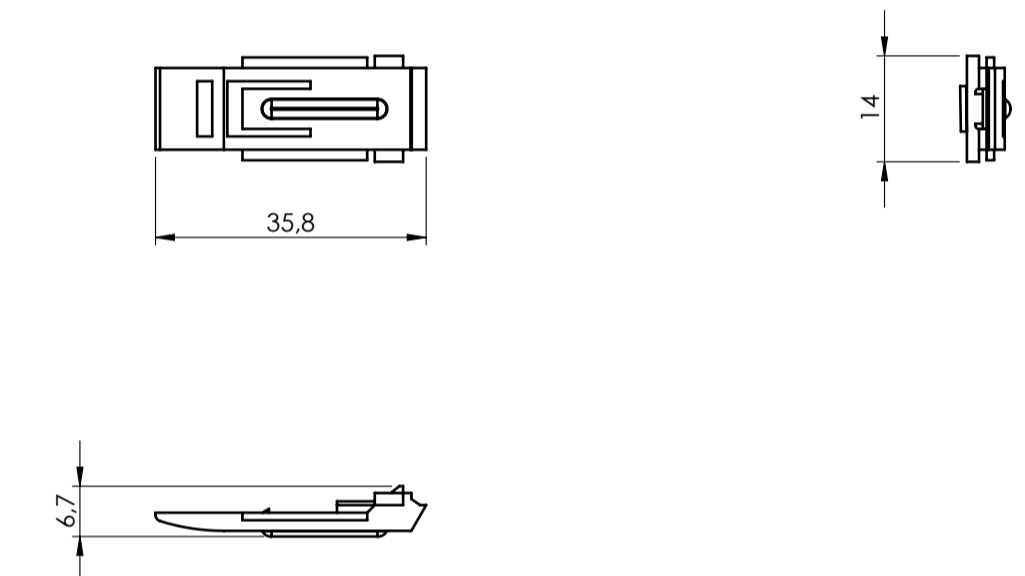
COVER RAILBOX



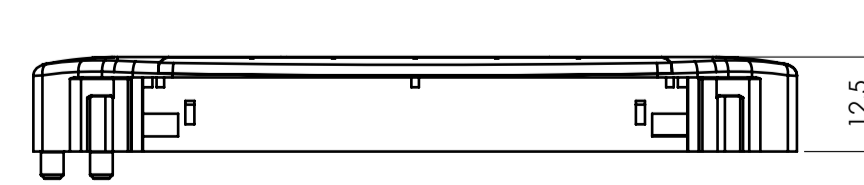
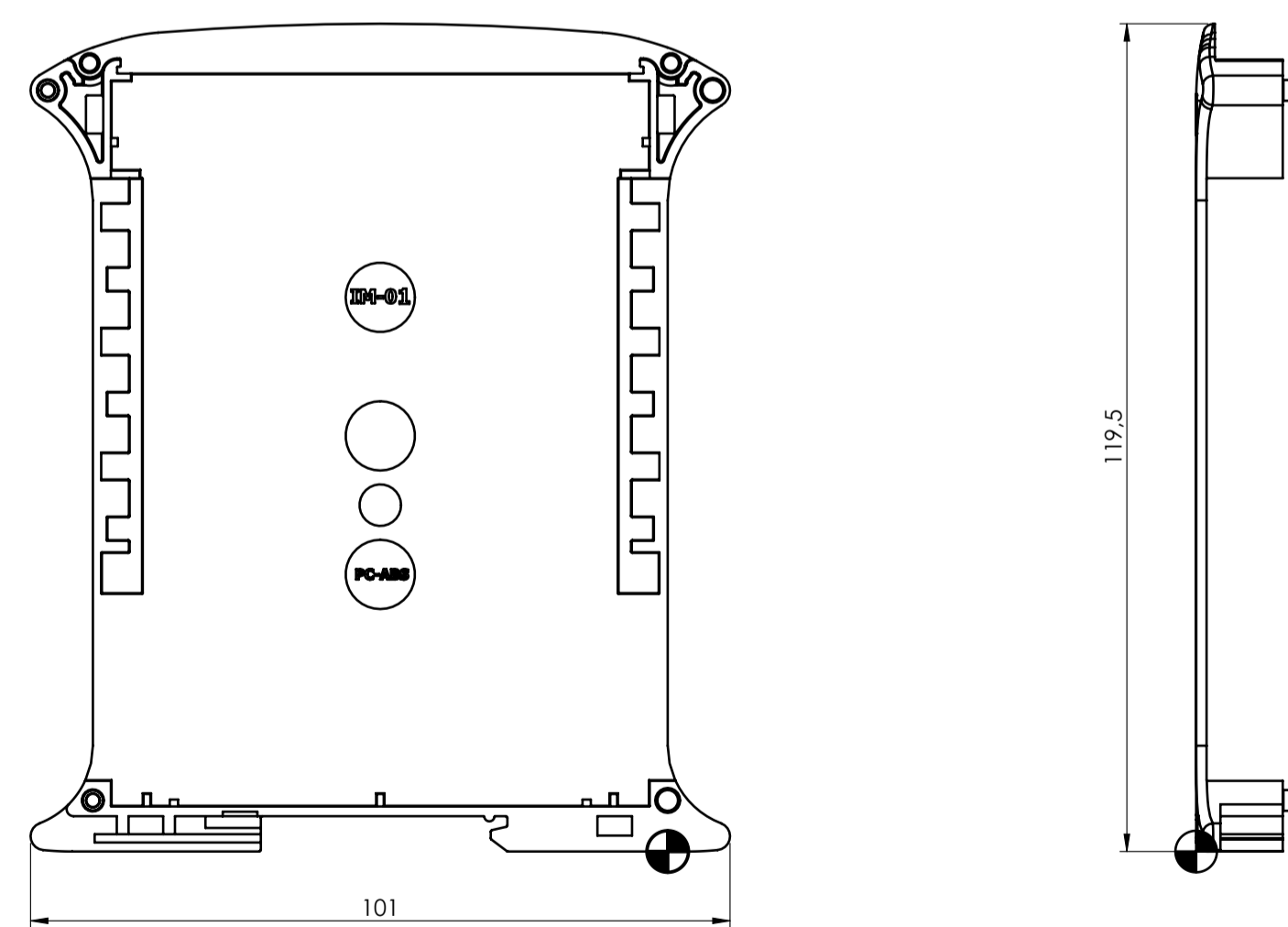
HINGED PANEL



HOOK

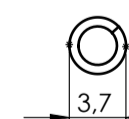
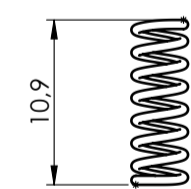


BASE RAILBOX



SPRING

2:1



General information:
 - Workpiece zero point for mechanical processing
 - Minimum recommended radius for machining = R1.0 mm
 - Mounting rail like EN 60715; TH 35-15
 - Recommended PCB outline on www.italtronic.com

RIF.	Q.TY	DRAWING	DESCRIPTION
1	1	2_110_00032	HOOK RAILBOX
2	1	2_110_00033	BASE RAILBOX 12.5 MM 3L
3	1	2_110_00113	RAILBOX PLUG&FIX COVER 32.5 MM 2 PCB LARGE PANEL BUS
4	1	2_110_00100	HINGED PANEL RAILBOX 39MM TRANSPARENT
5	1	2_110_00011	SPRING FOR HOOK RAILBOX

General Tolerances (UNE EN 22768/1) Medio [mm]			
from 0.5 to 3	from 3 to 6	from 6 to 30	from 30 to 120
±0.1	±0.1	±0.2	±0.3

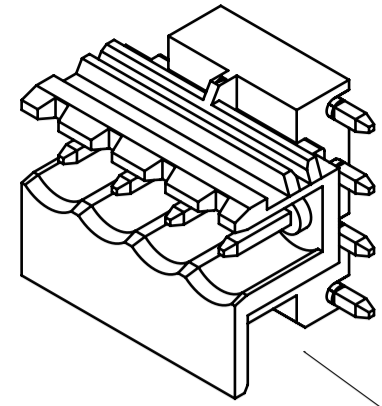
Scale:	Drawn:	Checked:	Date:	Material:	Process:
1:1	M.S.	R.N.	11/10/2023		

Dimension in mm	Replaces the:	Derived from:	Weight:	Cod. Mold:
	R-03436-00	--	gr	--

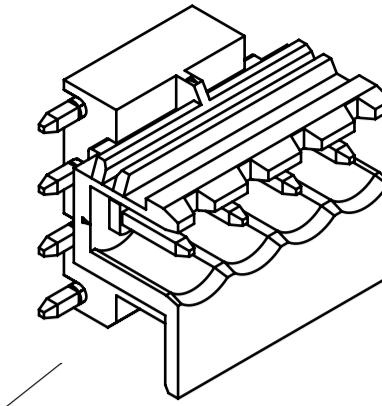
		Description: RAILBOX PLUG&FIX 45 MM 2 PCB LARGE PANEL RAILBOX PLUG&FIX 45 MM 2 PCB LARGE PANEL	
italtronic.com		Drawing ref: 3_110_00021	

Rev:	00	A1
------	----	----

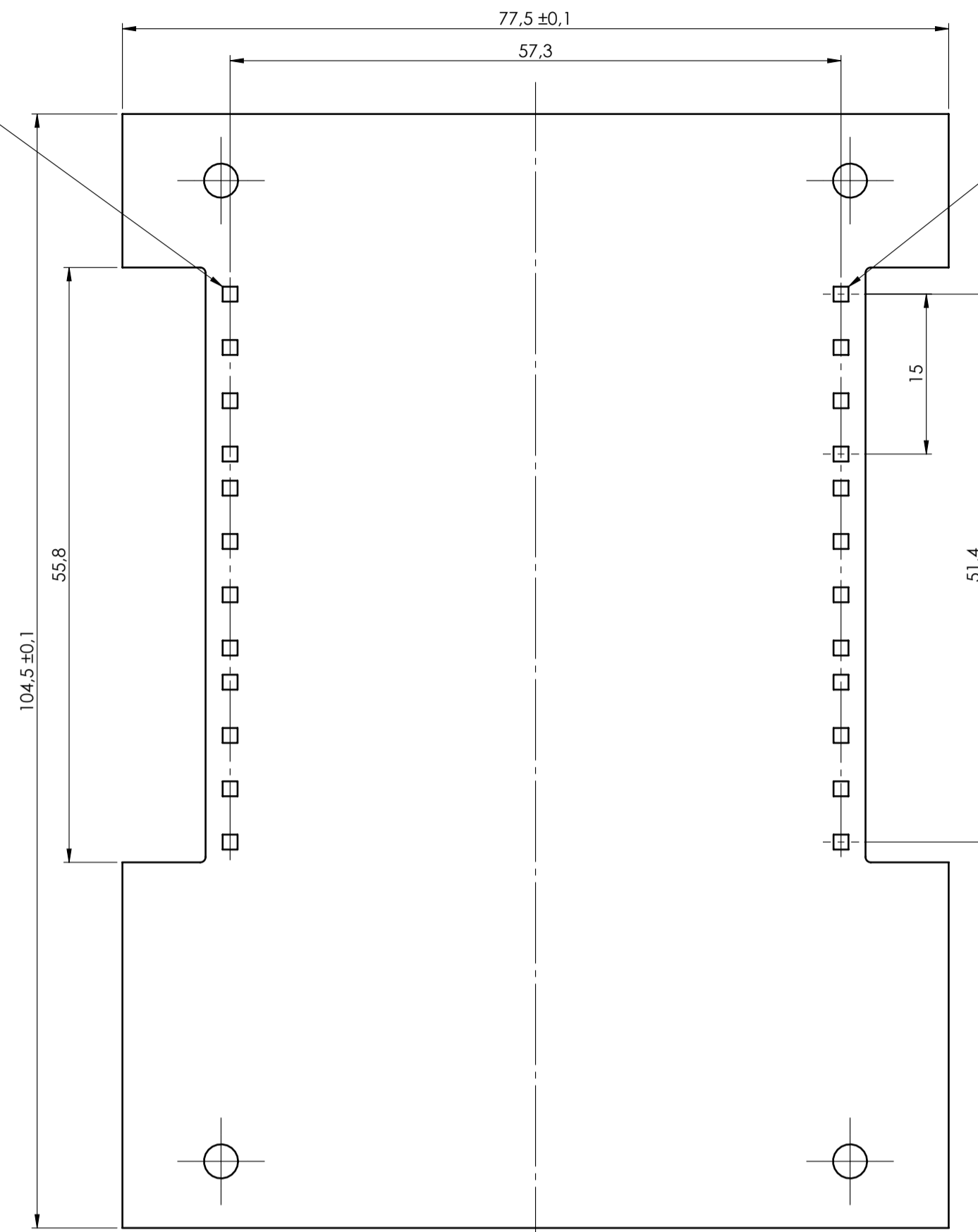
PCB PLUG-IN



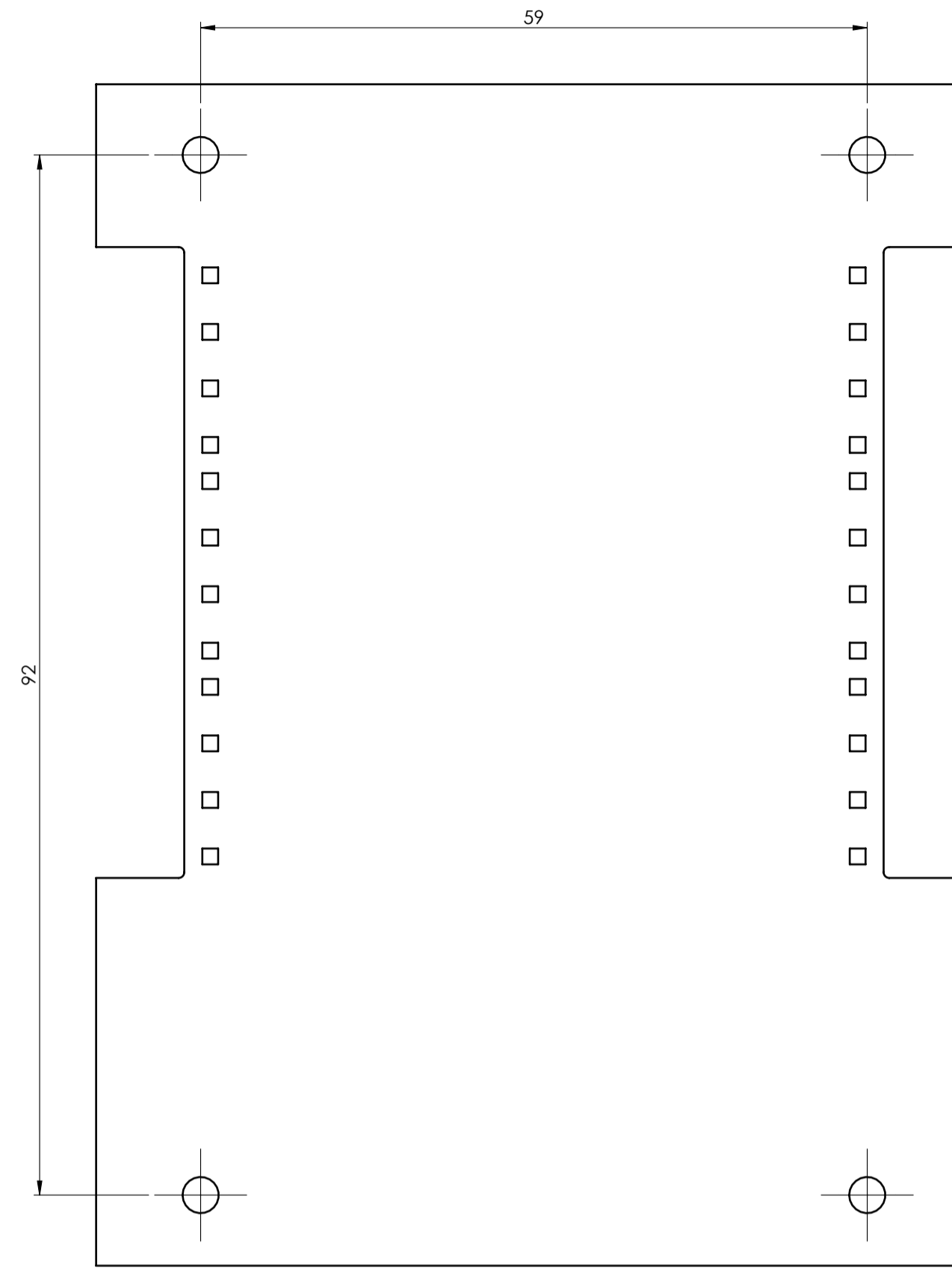
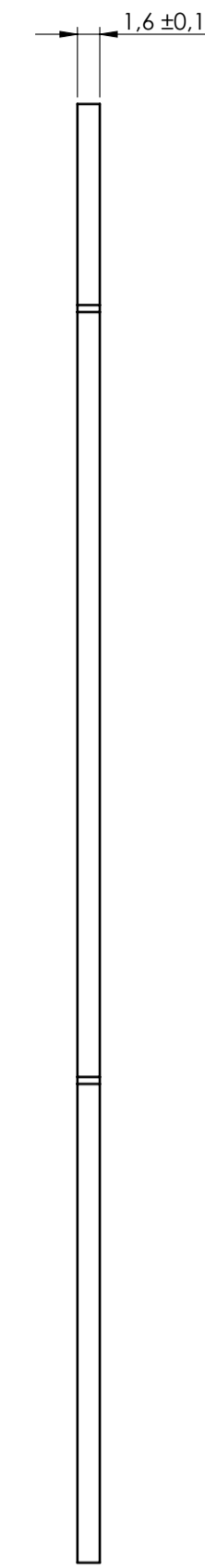
5EH-xPL



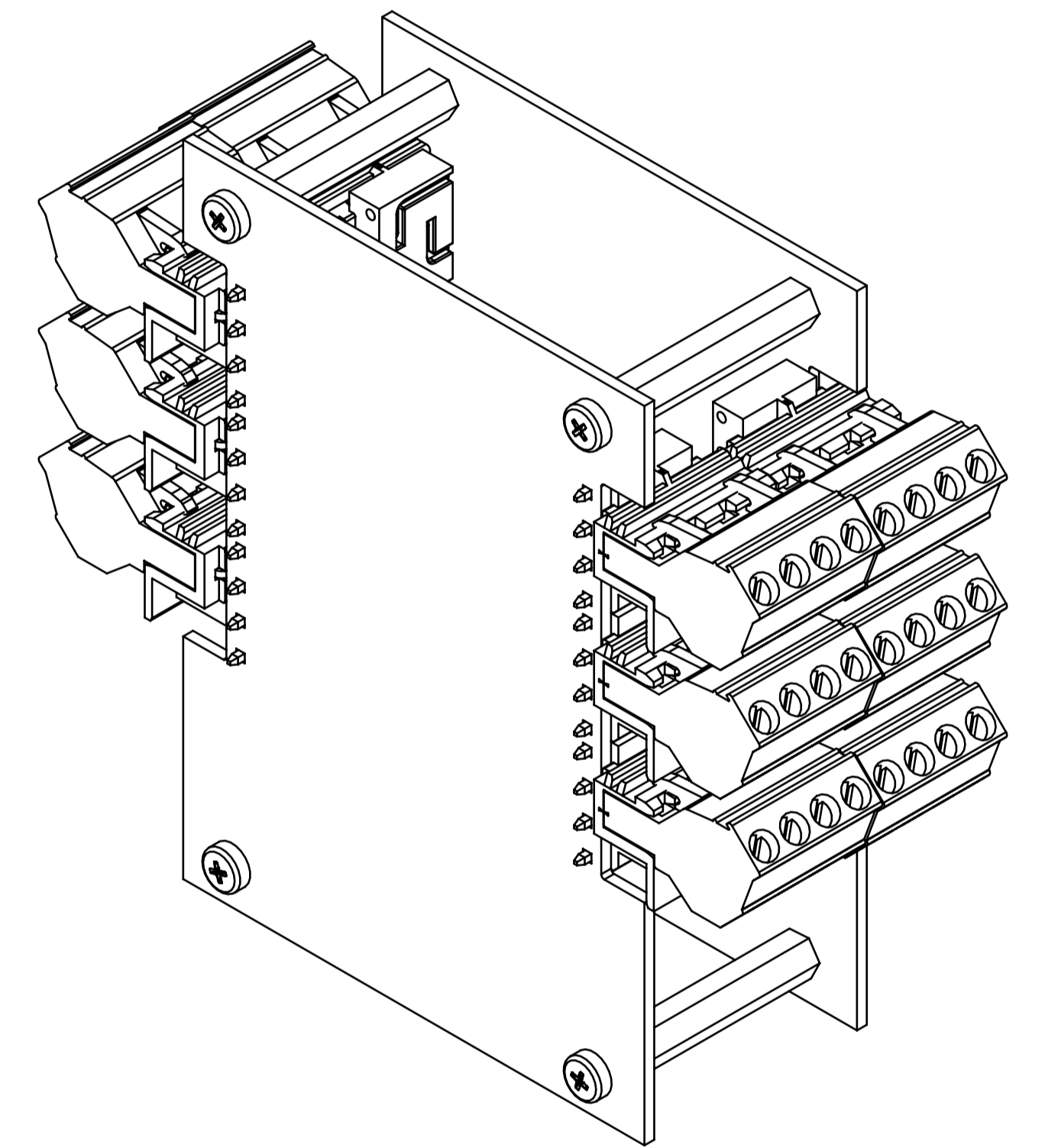
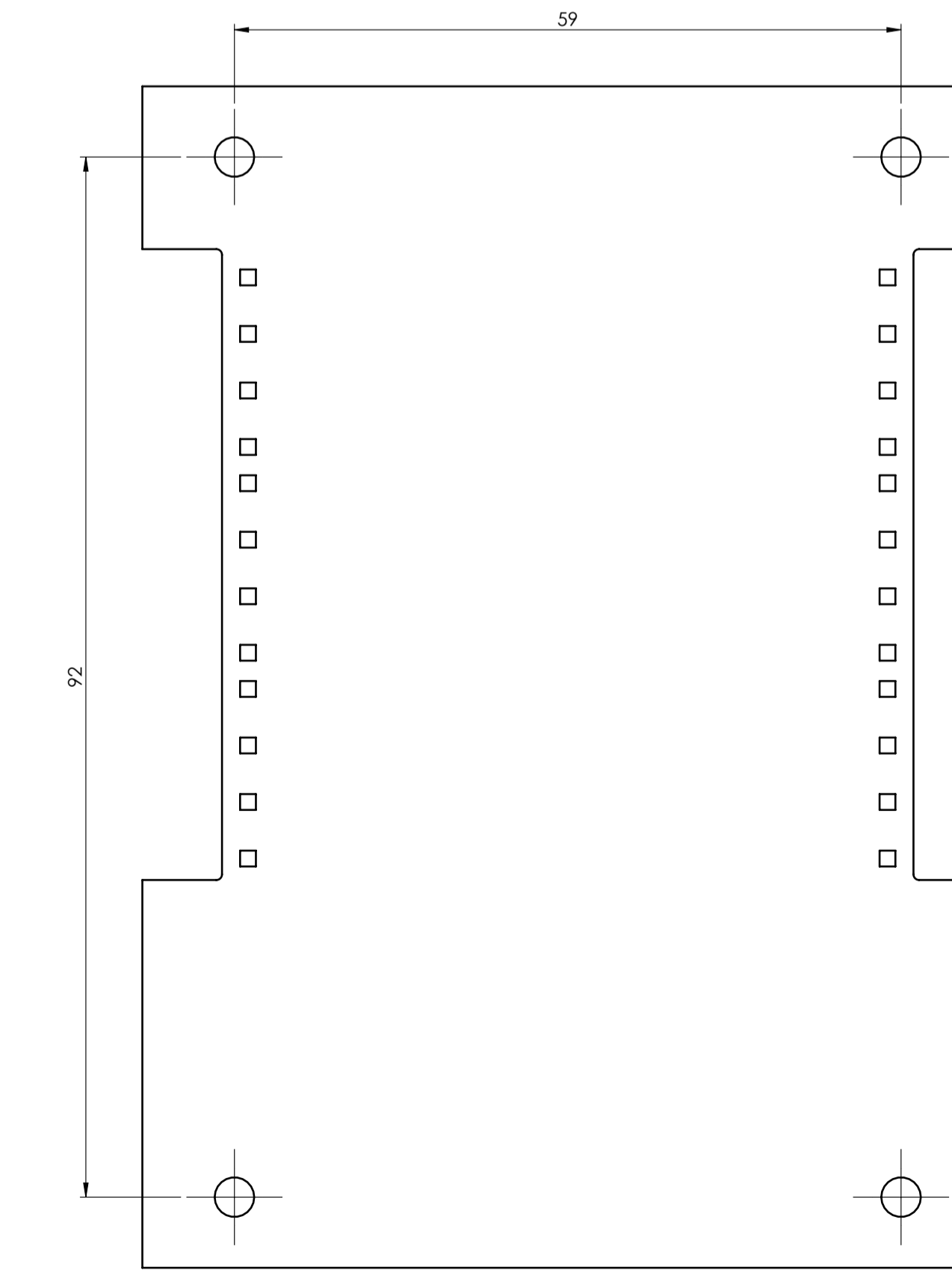
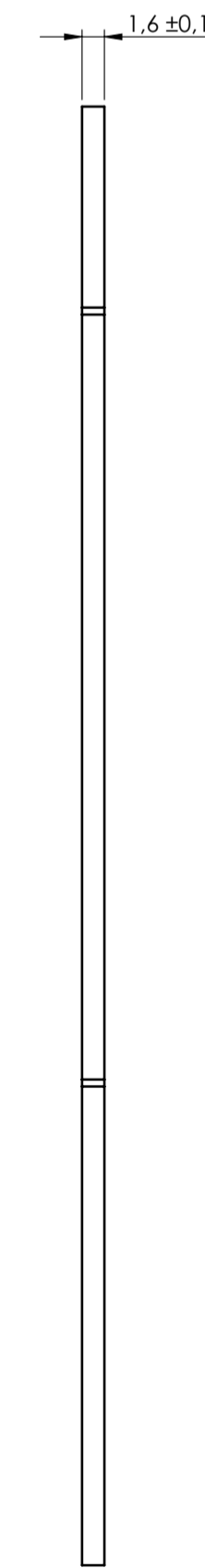
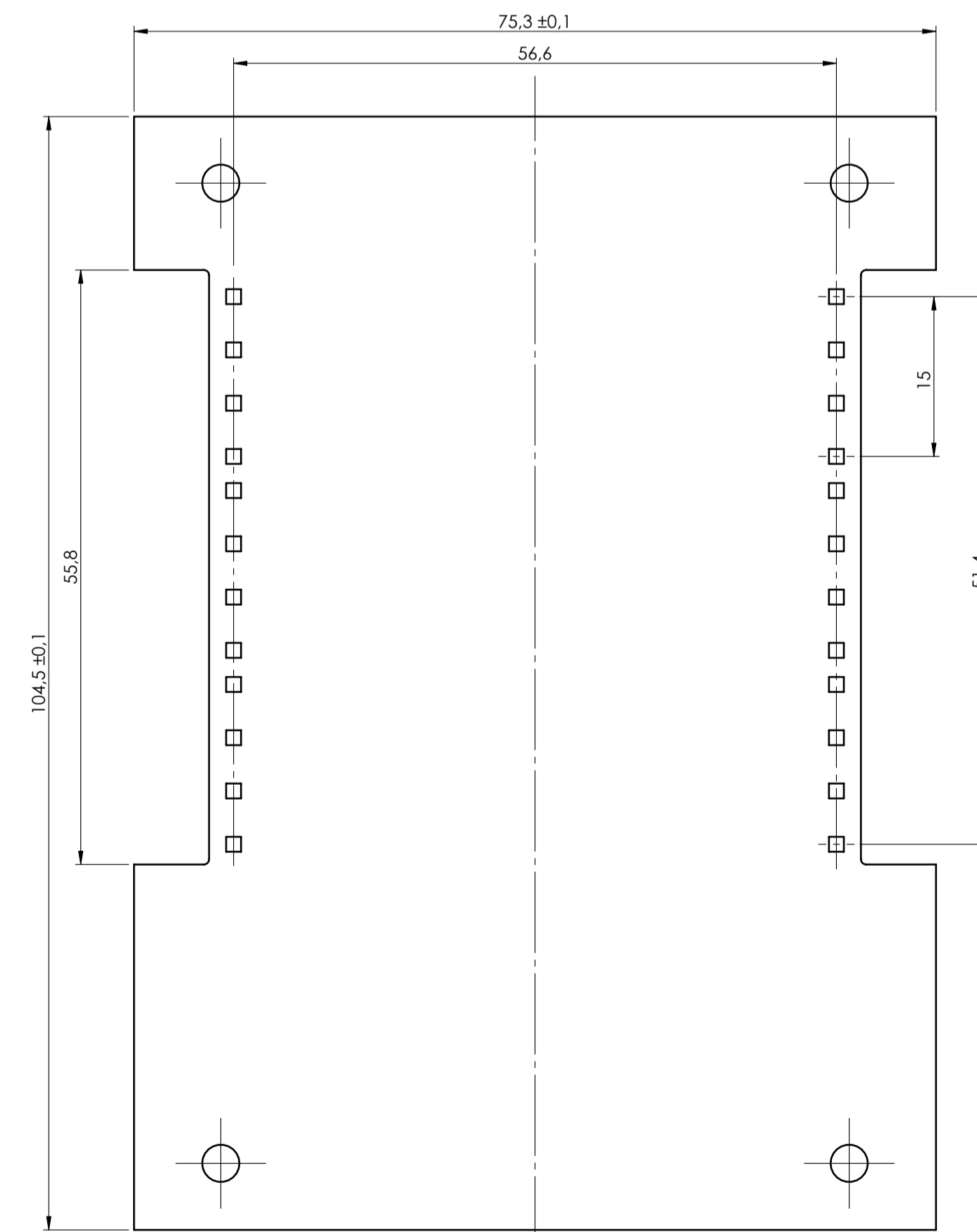
5EH-xPR



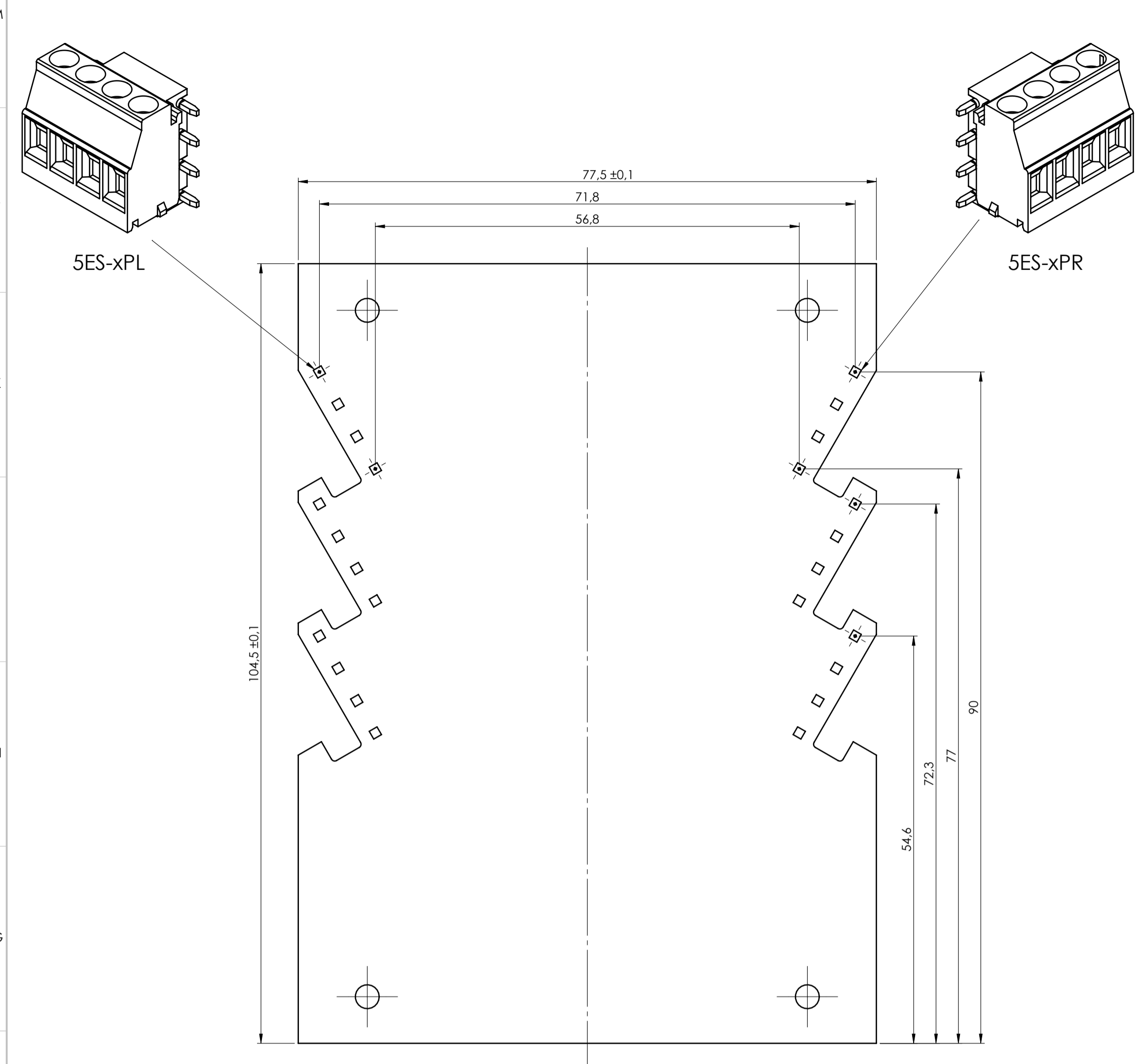
PCB V1



PCB V2

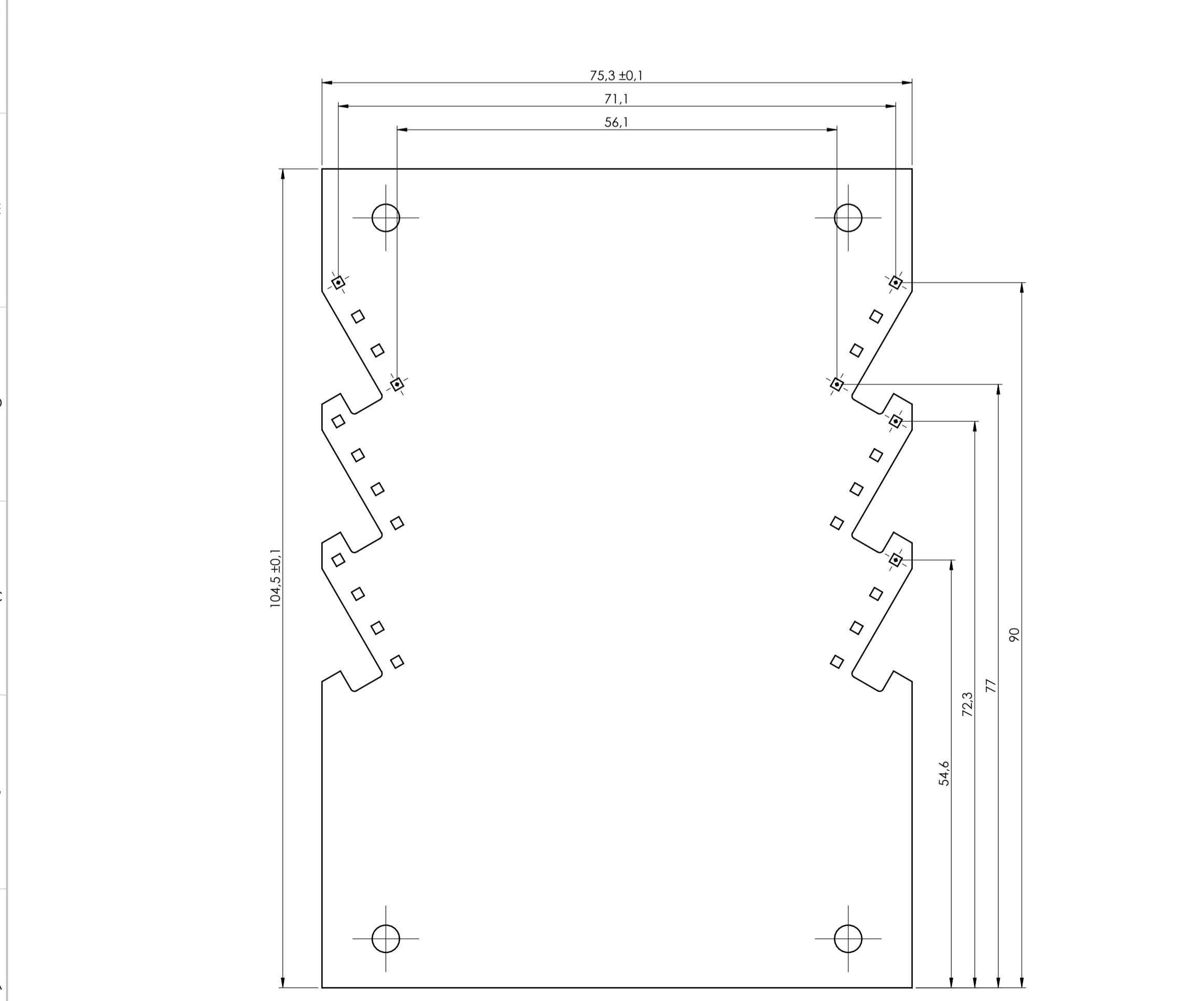
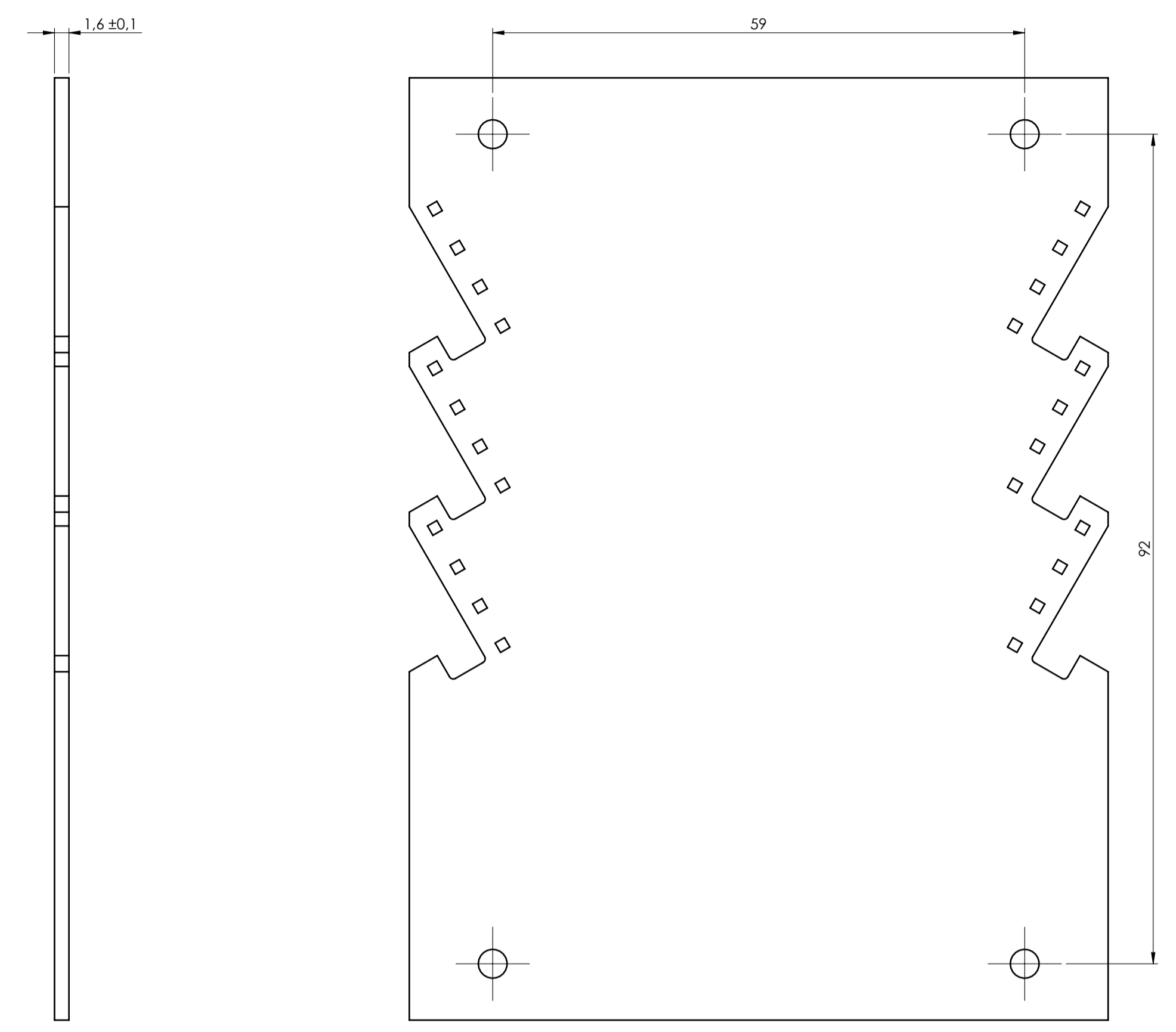


General Tolerance IIR EN 22768/1 Media (m)					Sheet:
from 0.5 to 3 ± 0.1	from 3 to 6 ± 0.1	from 6 to 30 ± 0.2	from 30 to 120 ± 0.3	from 120 to 400 ± 0.5	PCB PLUG-IN
Scale:	Drawn:	Checked:	Date:	Material:	Process:
2:1	M.S.	R.N.	11/10/2023		
Dimension in mm	Replaces the:		Derived from:	Weight:	Cod. Mod:
	R-03436-00		--	gr	--
Description:					Rev.:
RAILBOX PLUG&FIX 45 MM 2 PCB LARGE PANEL					00
RAILBOX PLUG&FIX 45 MM 2 PCB LARGE PANEL					A1
Drawing by:					
italtronic					
enclosures for electronics					
italtronic.com					
3_110_00021					

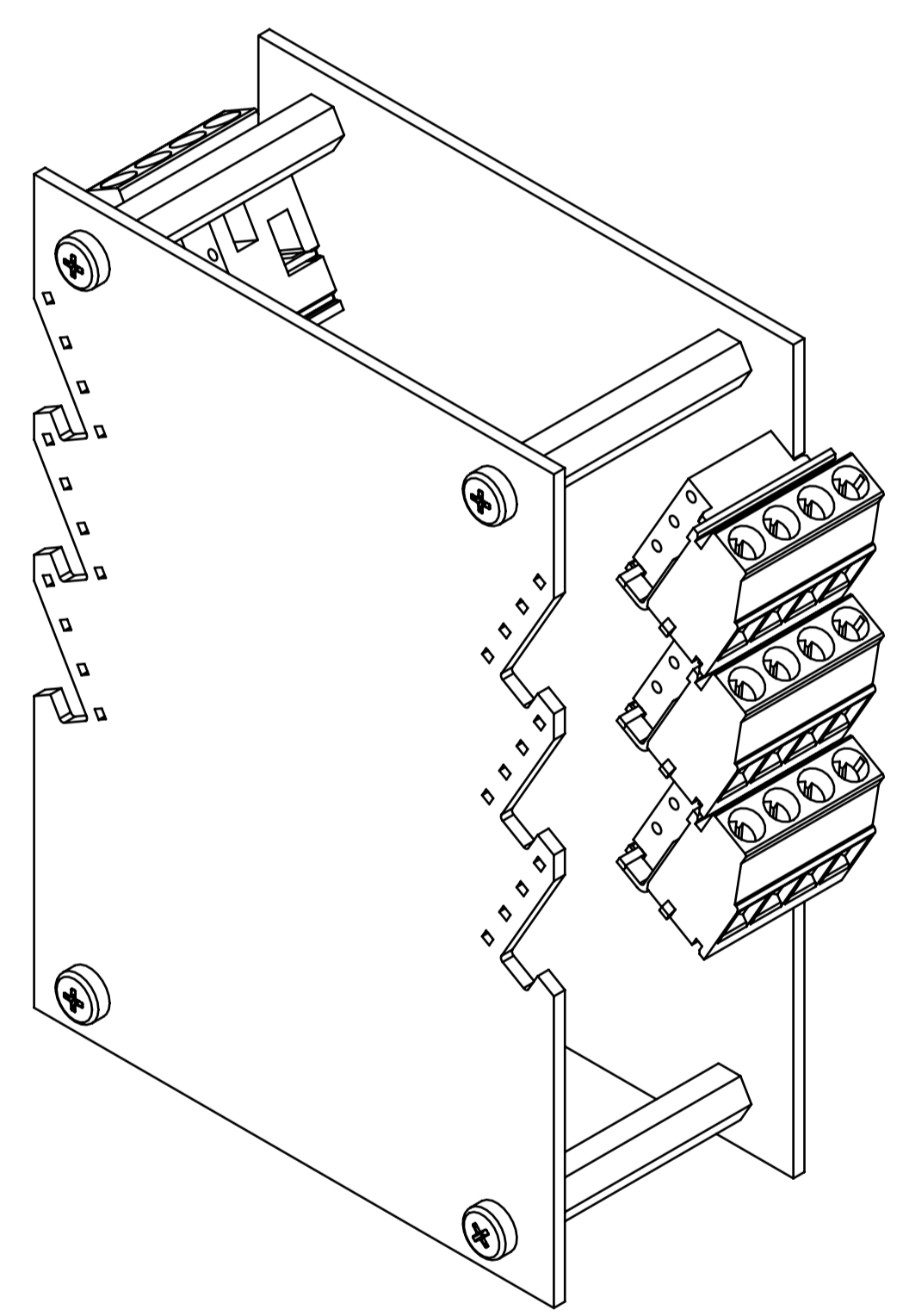
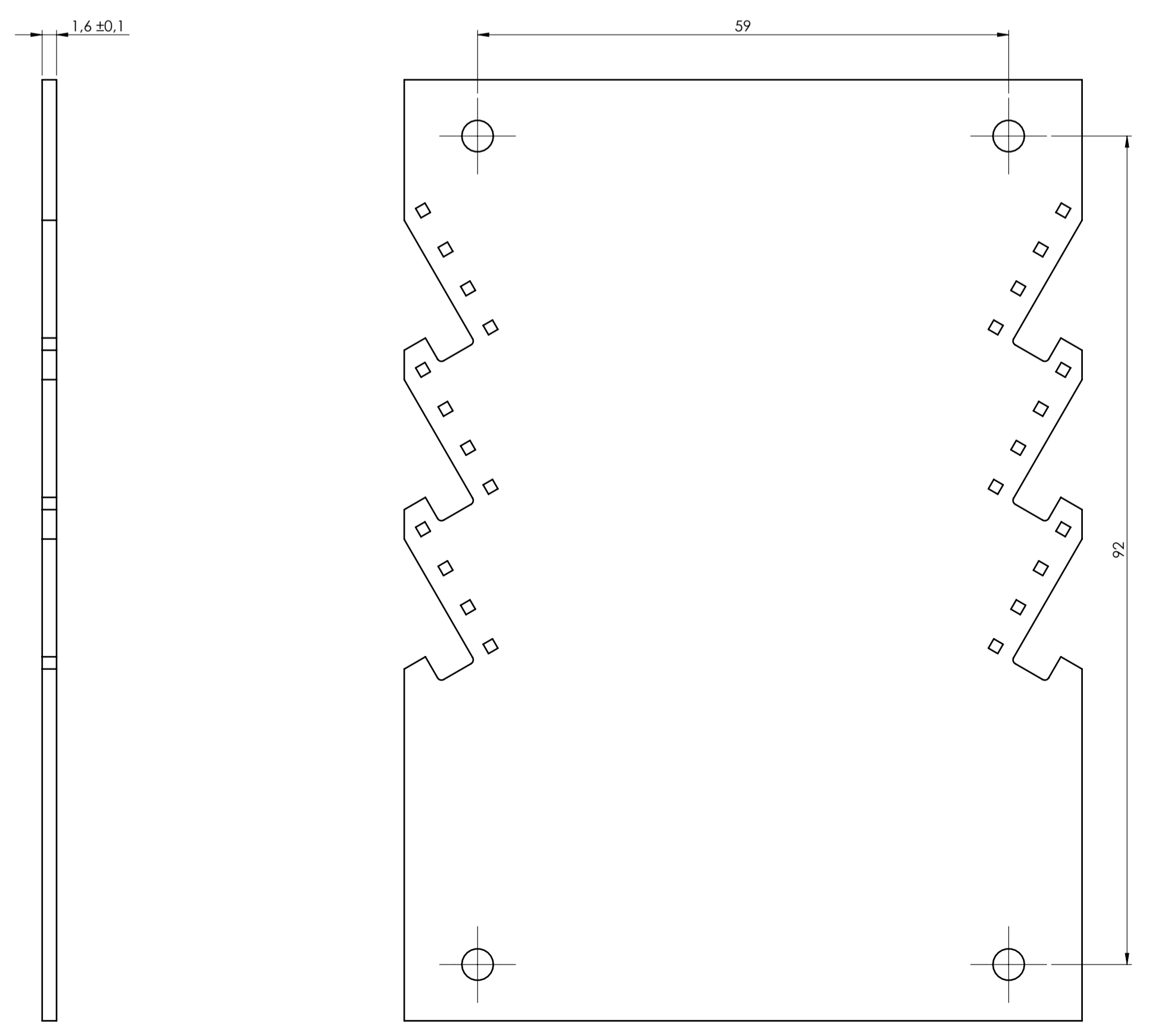


PCB FIX

PCB V1



PCB V2



General Tolerance IIR EN 22768/1 Media (m)					Sheet
from 0.5 to 3 ± 0.1	from 3 to 6 ± 0.1	from 6 to 30 ± 0.2	from 30 to 120 ± 0.3	from 120 to 400 ± 0.5	PCB FIX
Scale:	2:1	Drawn:	M.S.	Checked:	R.N.
Dimension in mm		Replaces the:	R-03436-00	Date:	11/10/2023
		Derived from:		Material:	
		Weight:	gr	Cod. Mold:	
Description:					
RAILBOX PLUG&FIX 45 MM 2 PCB LARGE PANEL					
RAILBOX PLUG&FIX 45 MM 2 PCB LARGE PANEL					
Drawing nr:					
3_110_00021					
Rev:					00 A1
italtronic					
enclosures for electronics					
italtronic.com					