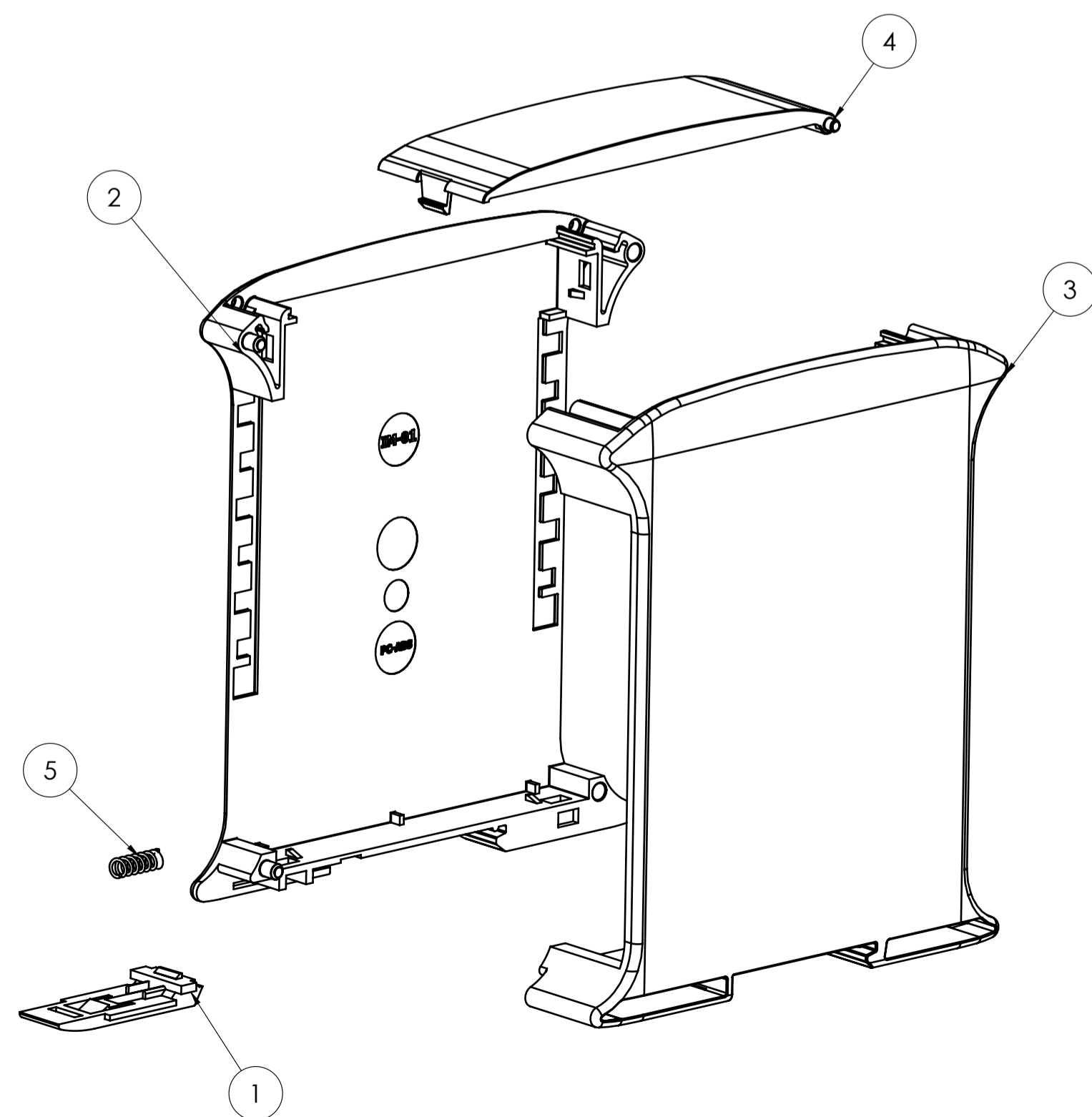
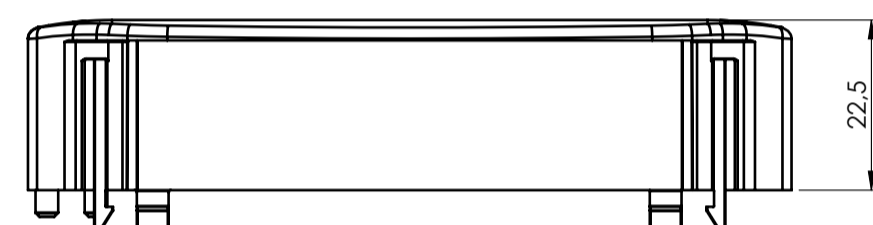
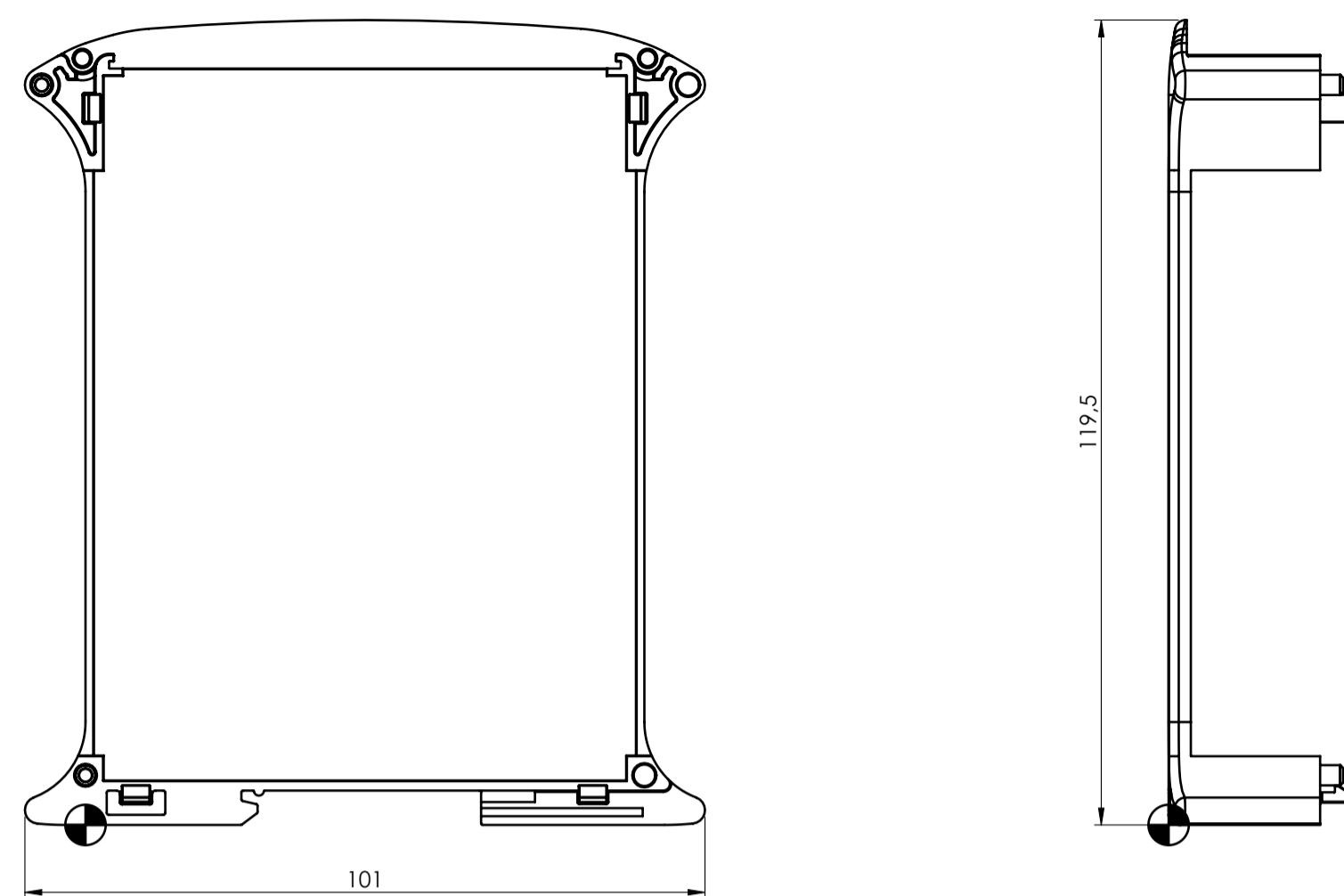


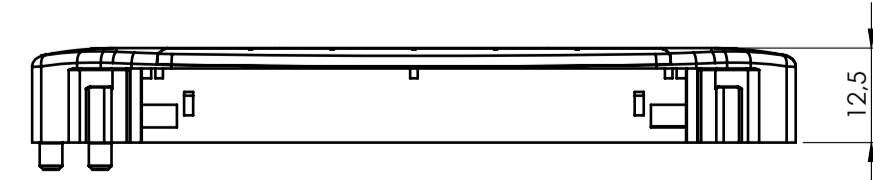
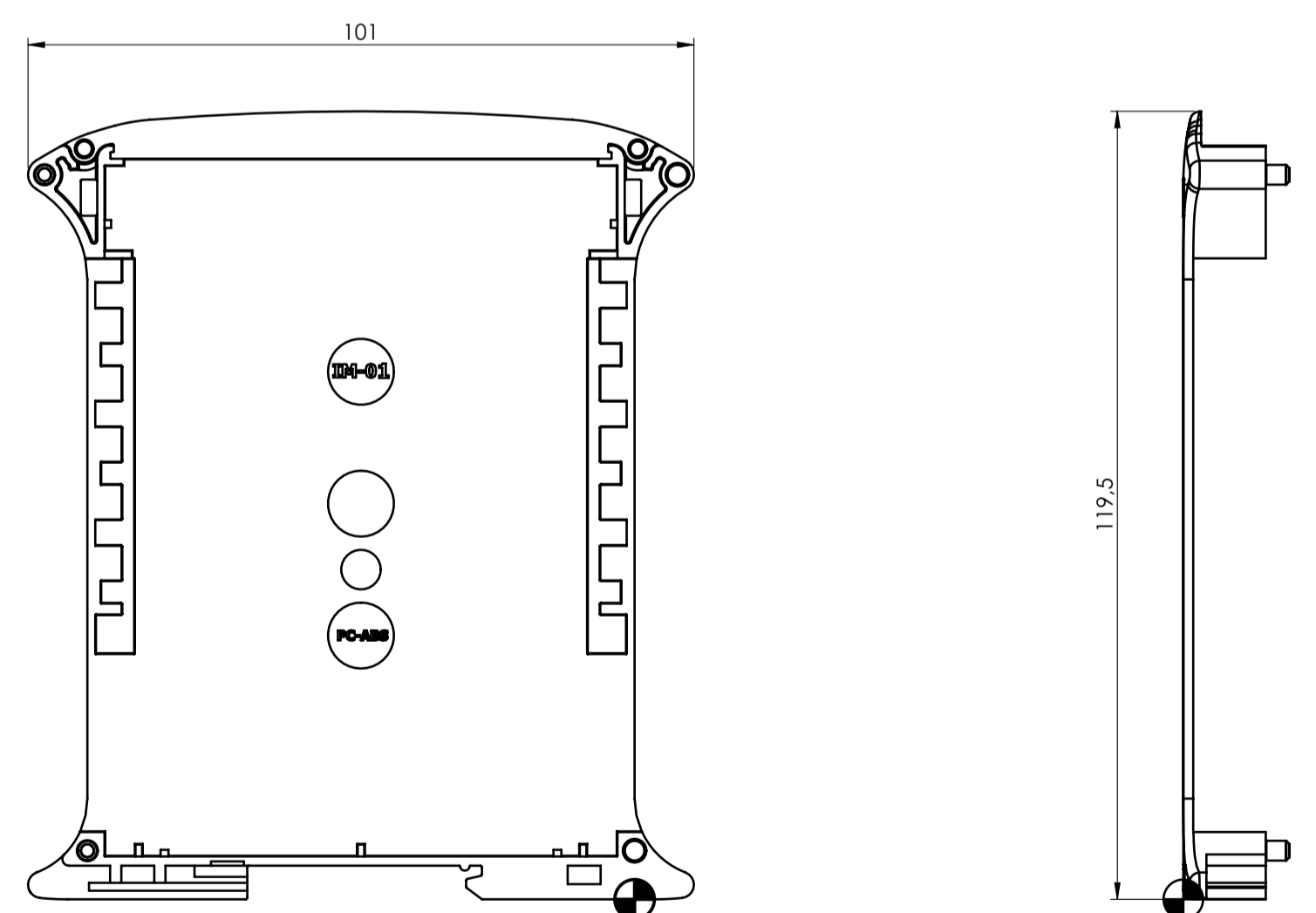
SECTION A-A



COVER RAILBOX

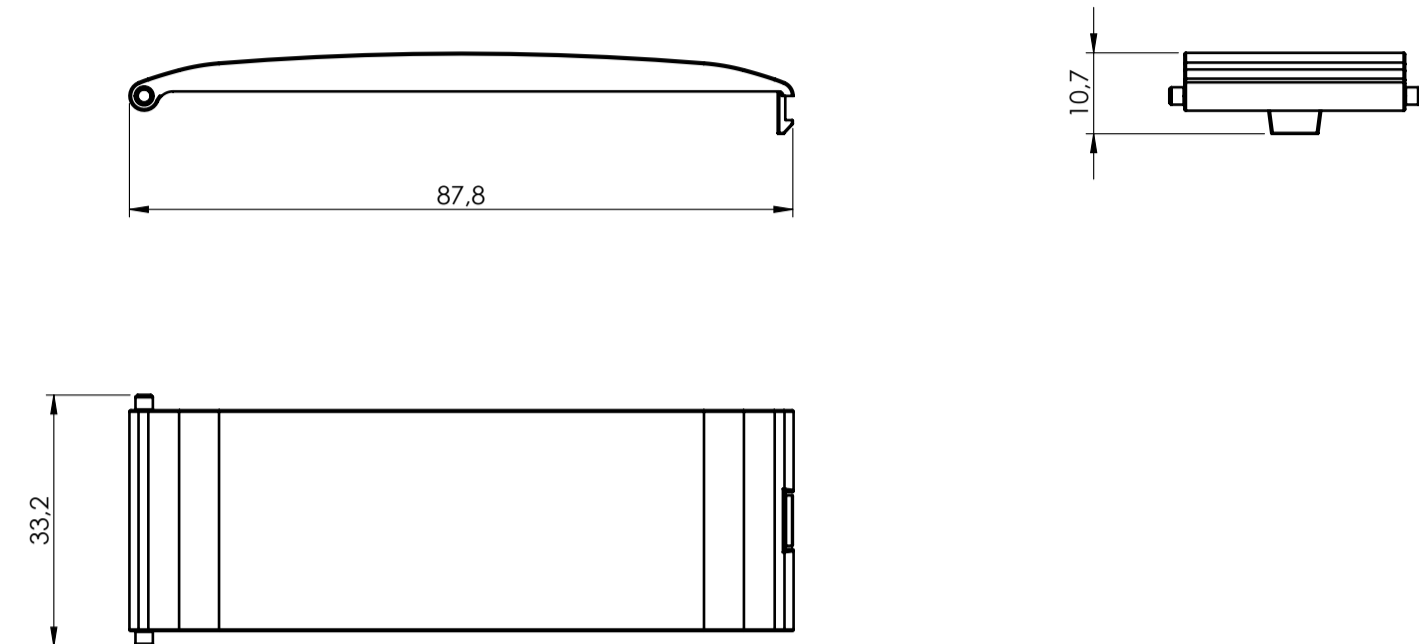


BASE RAILBOX

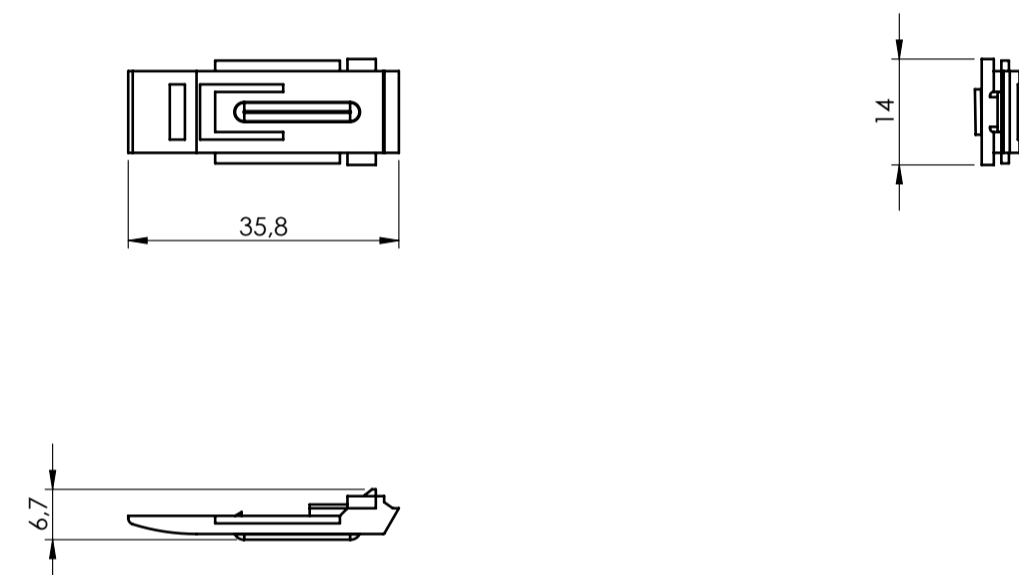


General information:
 - W: piece zero point for mechanical processing
 - Minimum recommended radius for machining = R1.0 mm
 - Mounting rail like EN 60715: TH 35-15
 - Recommended PCB outline on www.italtronic.com

HINGED PANEL

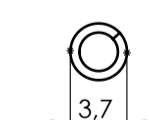
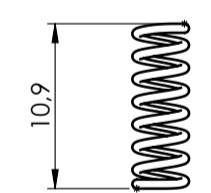


HOOK



SPRING

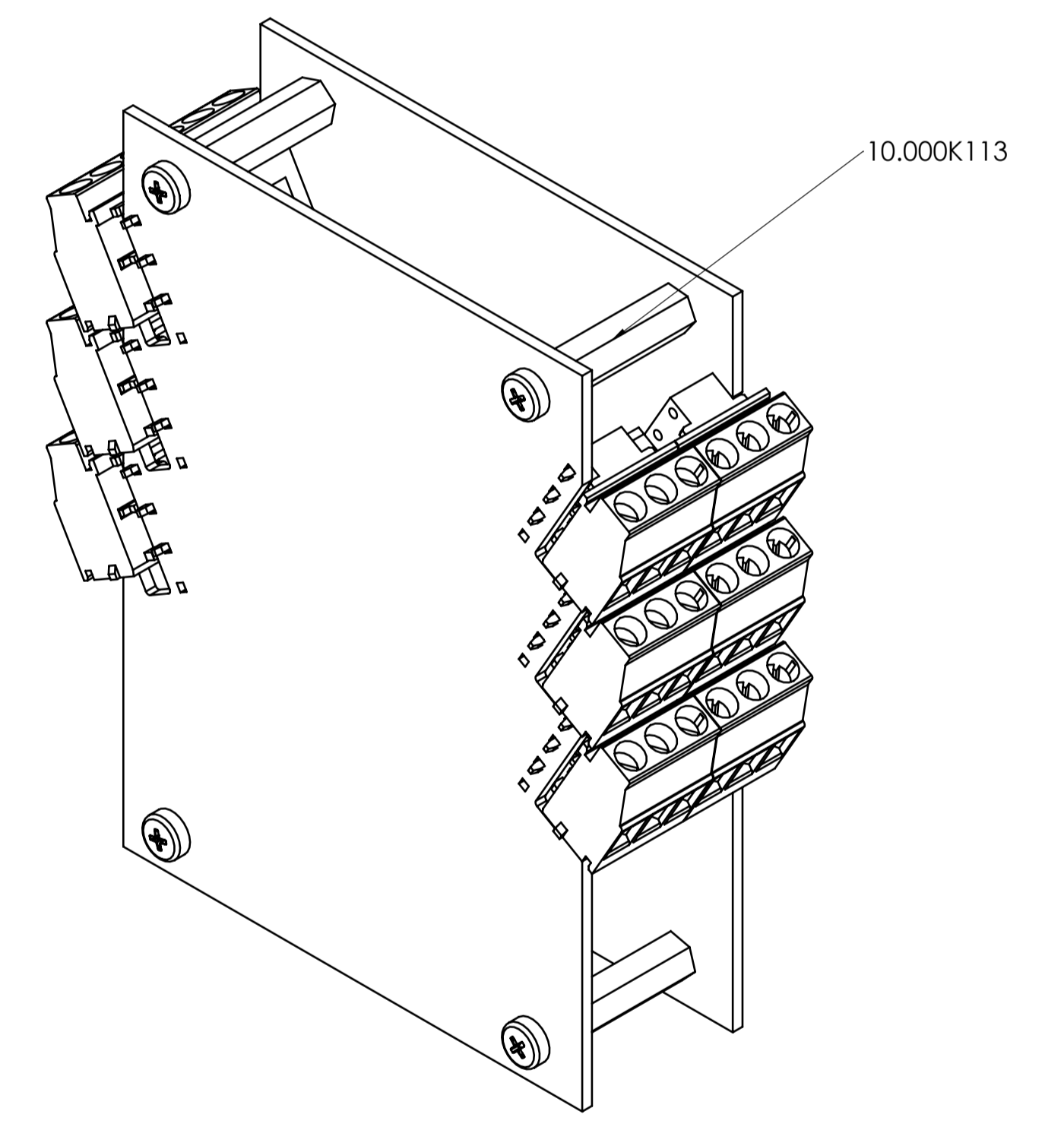
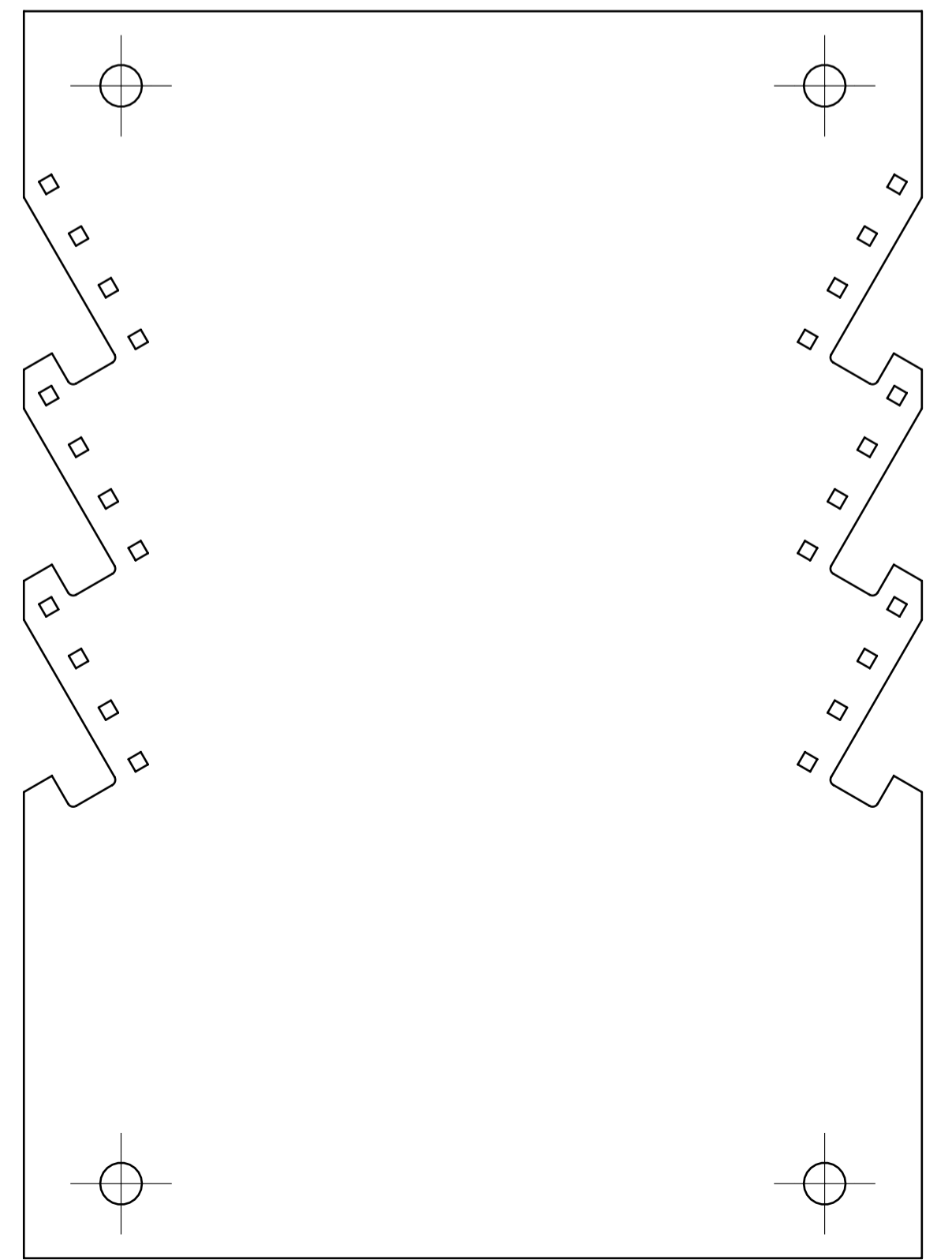
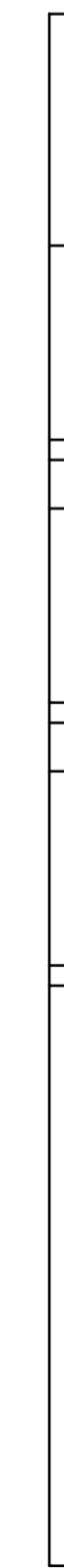
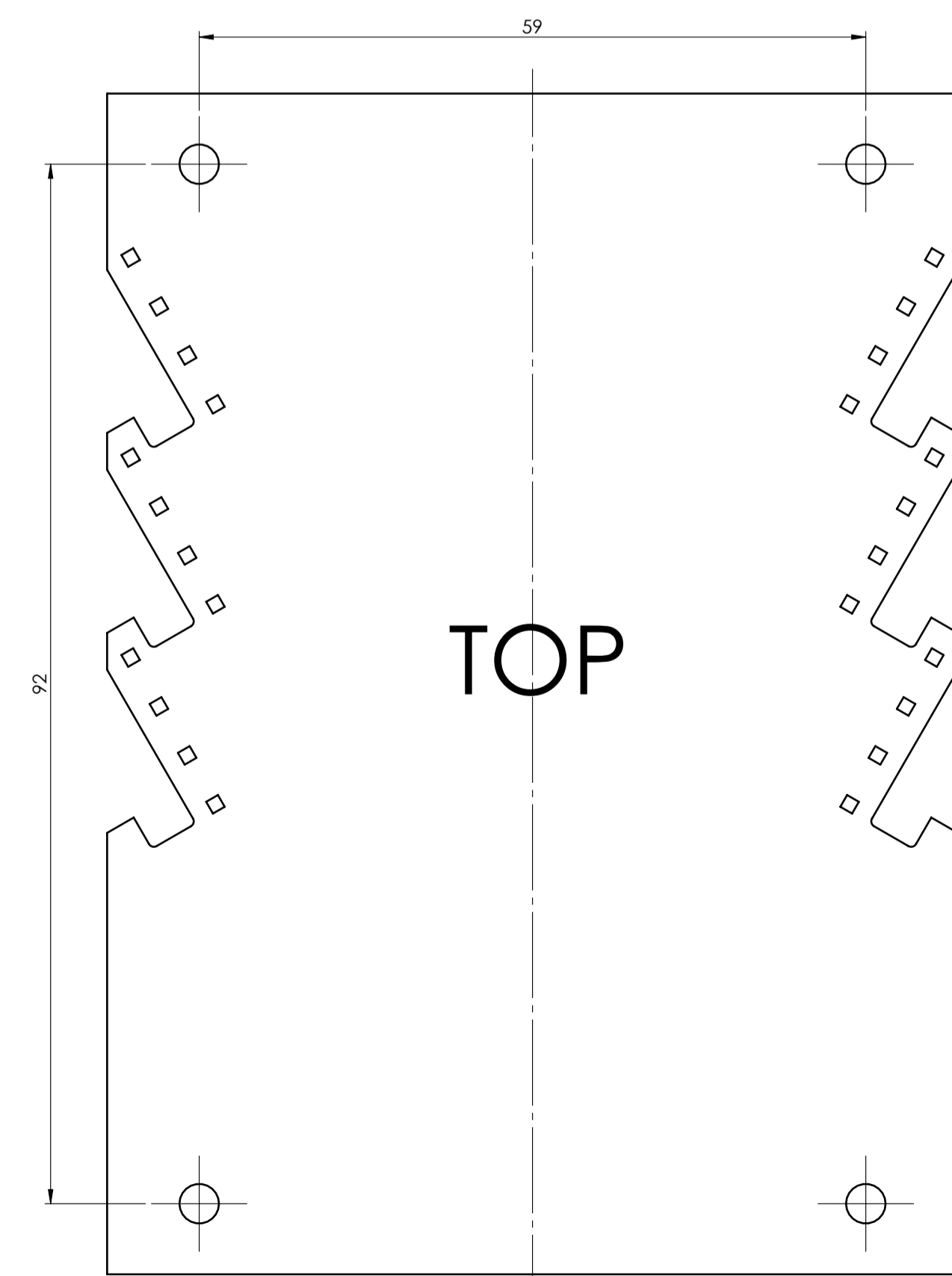
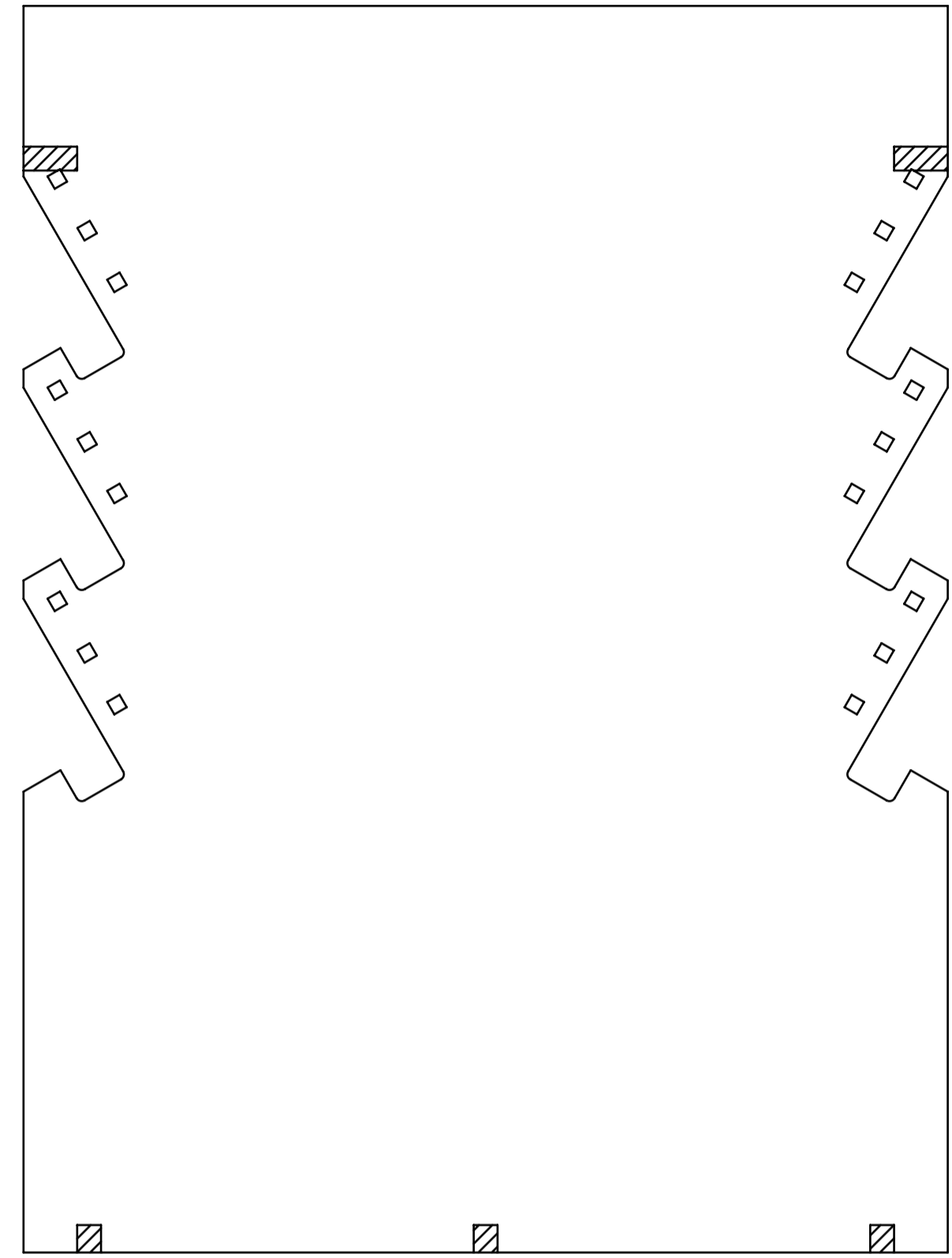
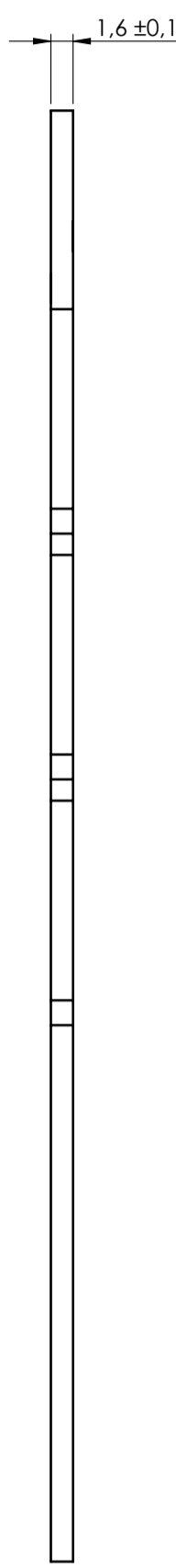
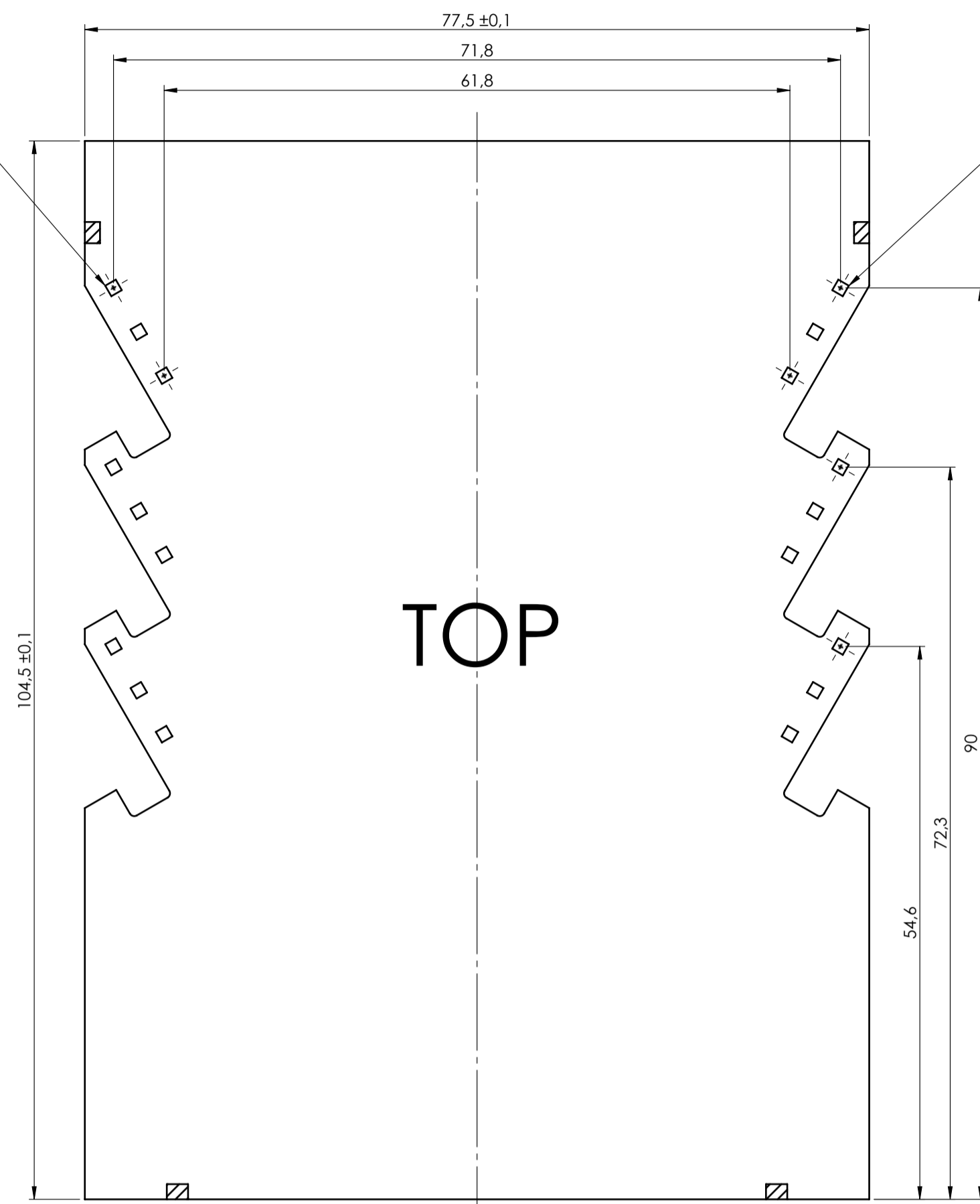
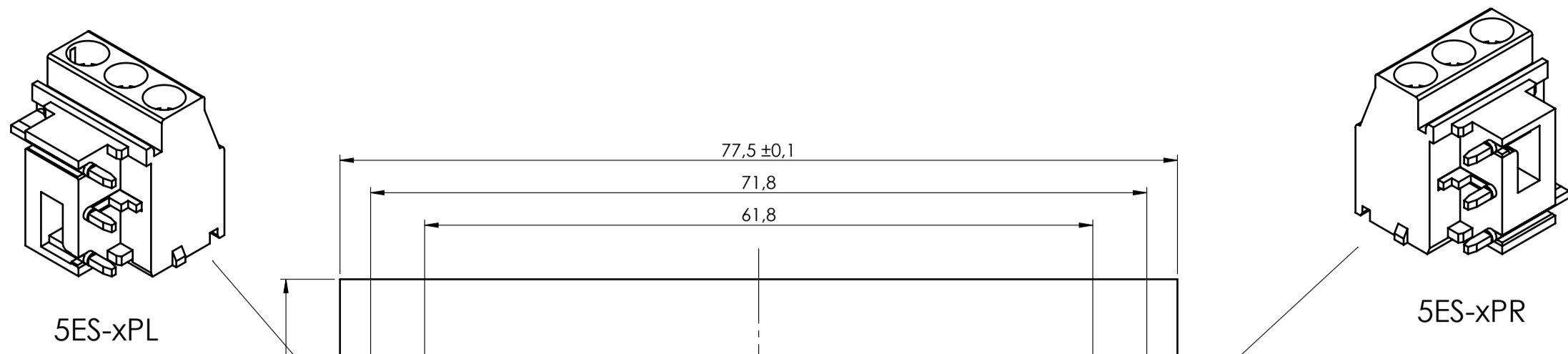
2:1



RIF.	Q.TY	DRAWING	DESCRIPTION
1	1	2_110_00032	HOOK RAILBOX
2	1	2_110_00033	BASE RAILBOX 12.5 MM 3L
3	1	2_110_00101	RAILBOX PLUG&FIX COVER 22.5 MM 2 PCB LARGE PANEL
4	1	2_110_00084	FRONT TRANSPARENT PANEL 29MM
5	1	2_110_00011	SPRING FOR HOOK RAILBOX

General Tolerances (UNI EN 22768/1) Media [mm]				Sheet:								
from 0.5 to 3	from 3 to 6	from 6 to 30	from 30 to 120	from 120 to 400	1							
±0.1	±0.1	±0.2	±0.3	±0.5								
Scale:	1:1	IM:	Drawn:	M.S.	Checked:	R.N.	Date:	17/10/2023	Material:		Process:	
Dimension in mm												
Replaces the:			Derived from:			Weight:			Cod. Mold:			
R-03440-00						gr			--			
Description: KIT CONTENITORE RAILBOX PLUG-FIX 35 MM KIT ENCLOSURE RAILBOX PLUG-FIX 35 MM Drawing nr: 3_110_00022												
										Rev.: 00 A1		

PCB V FIX

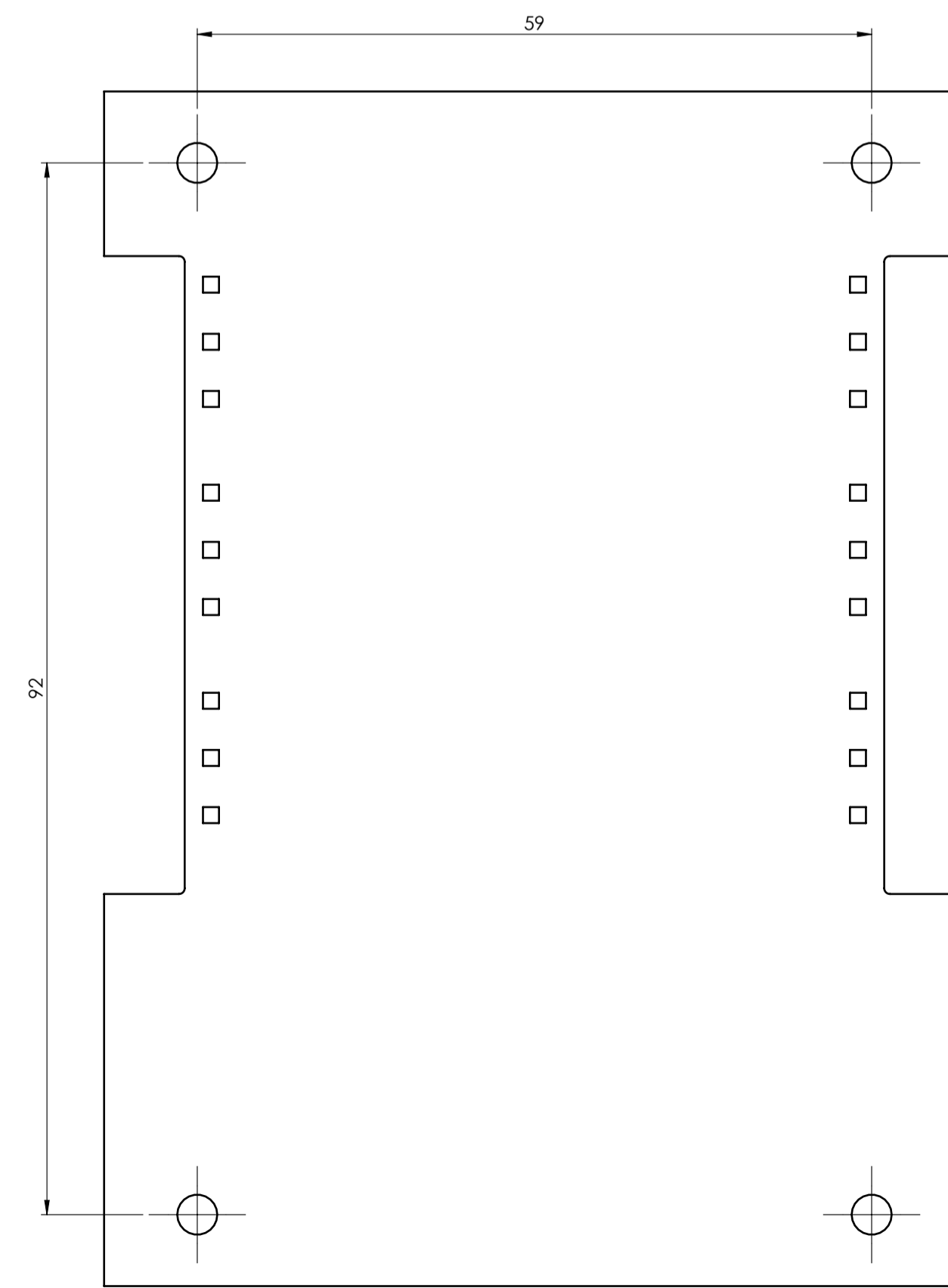
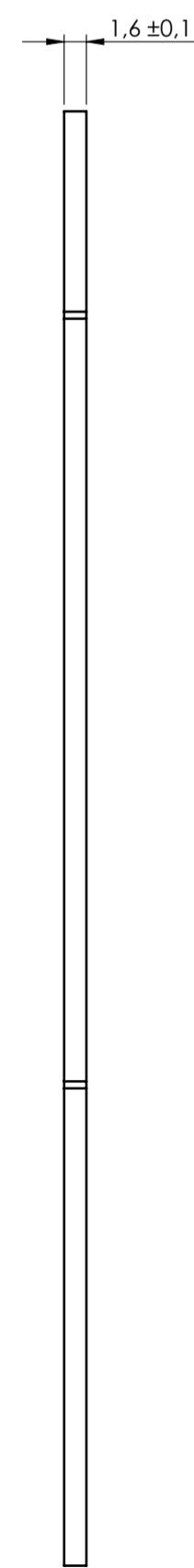
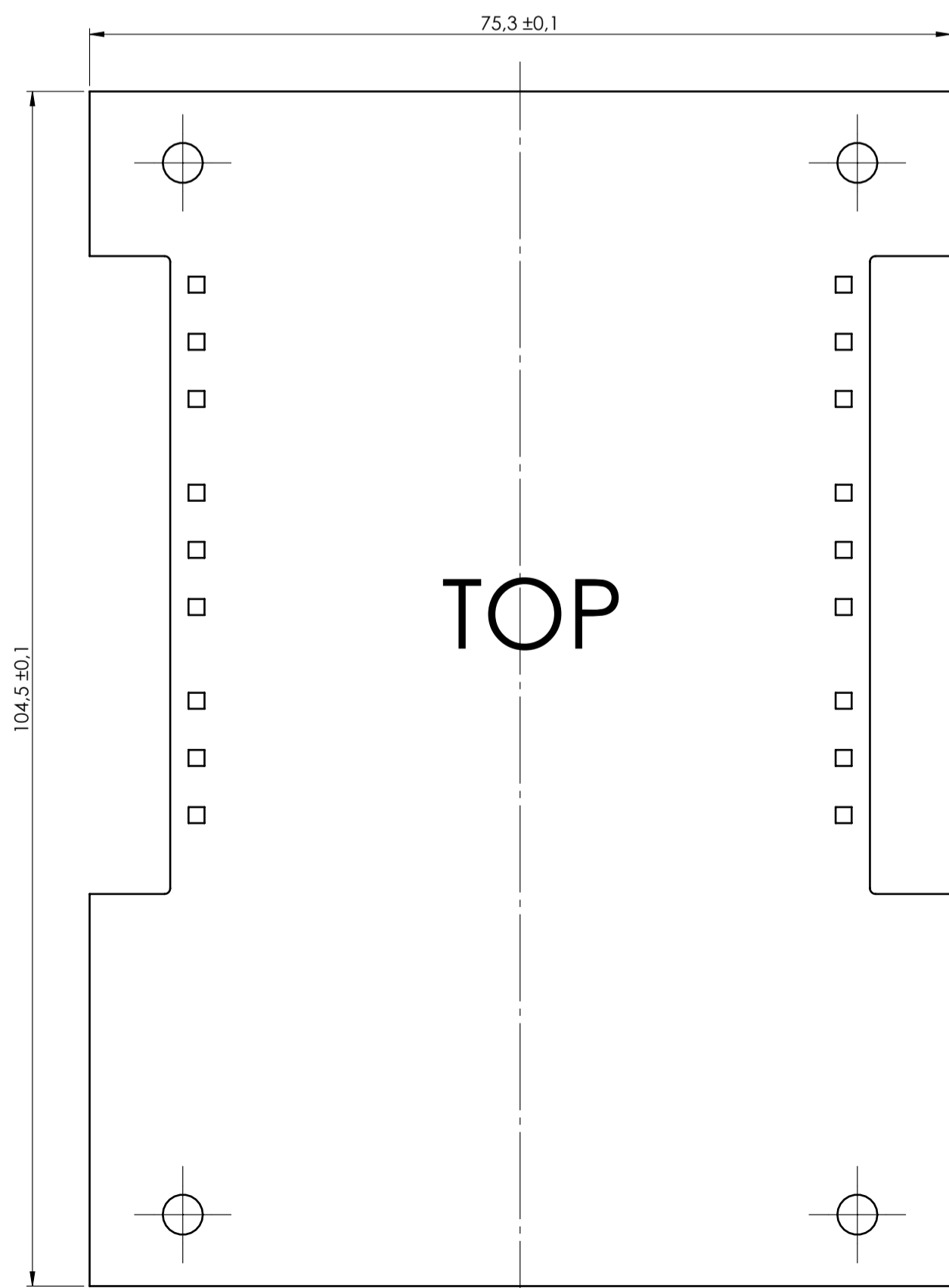
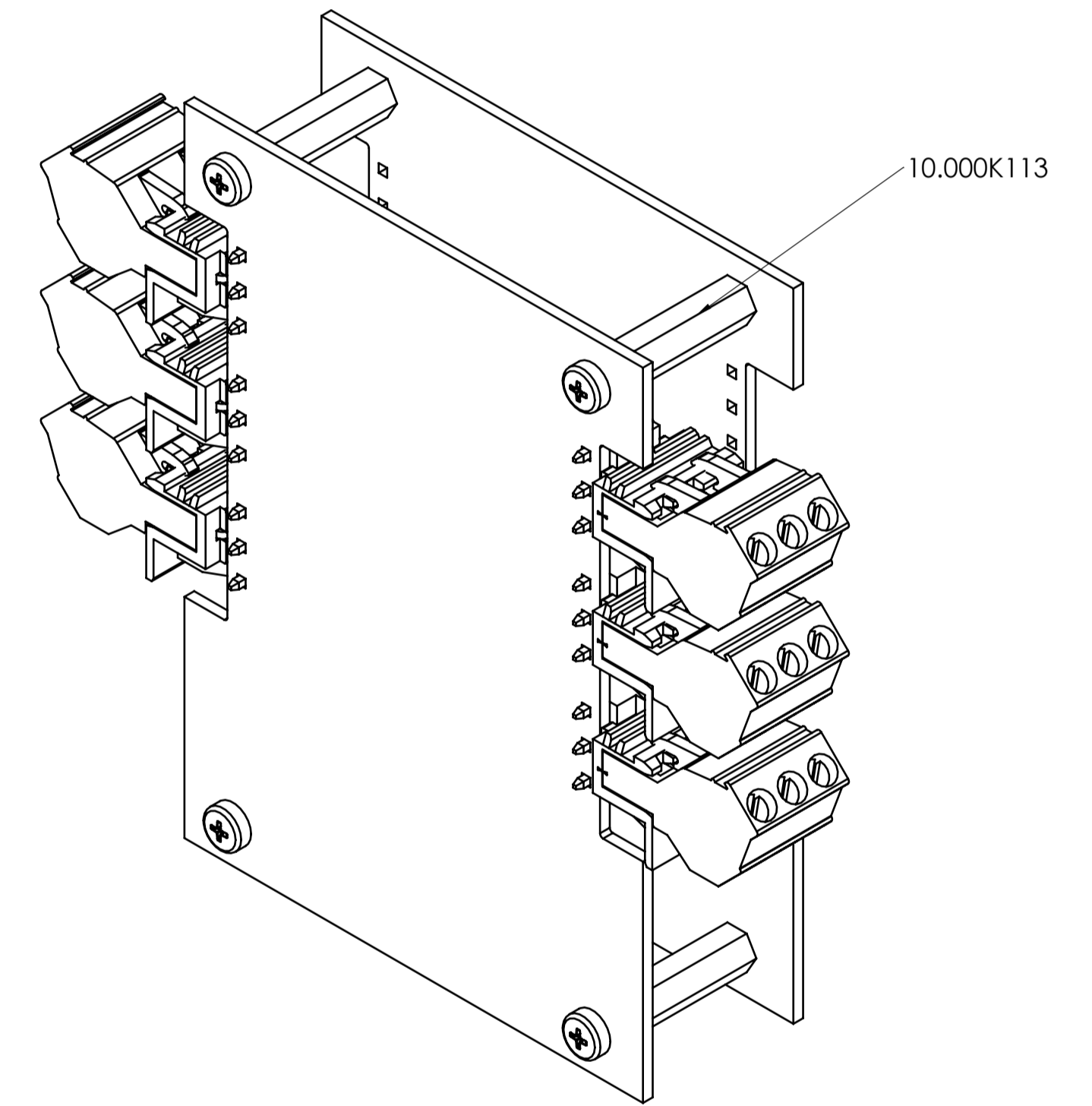
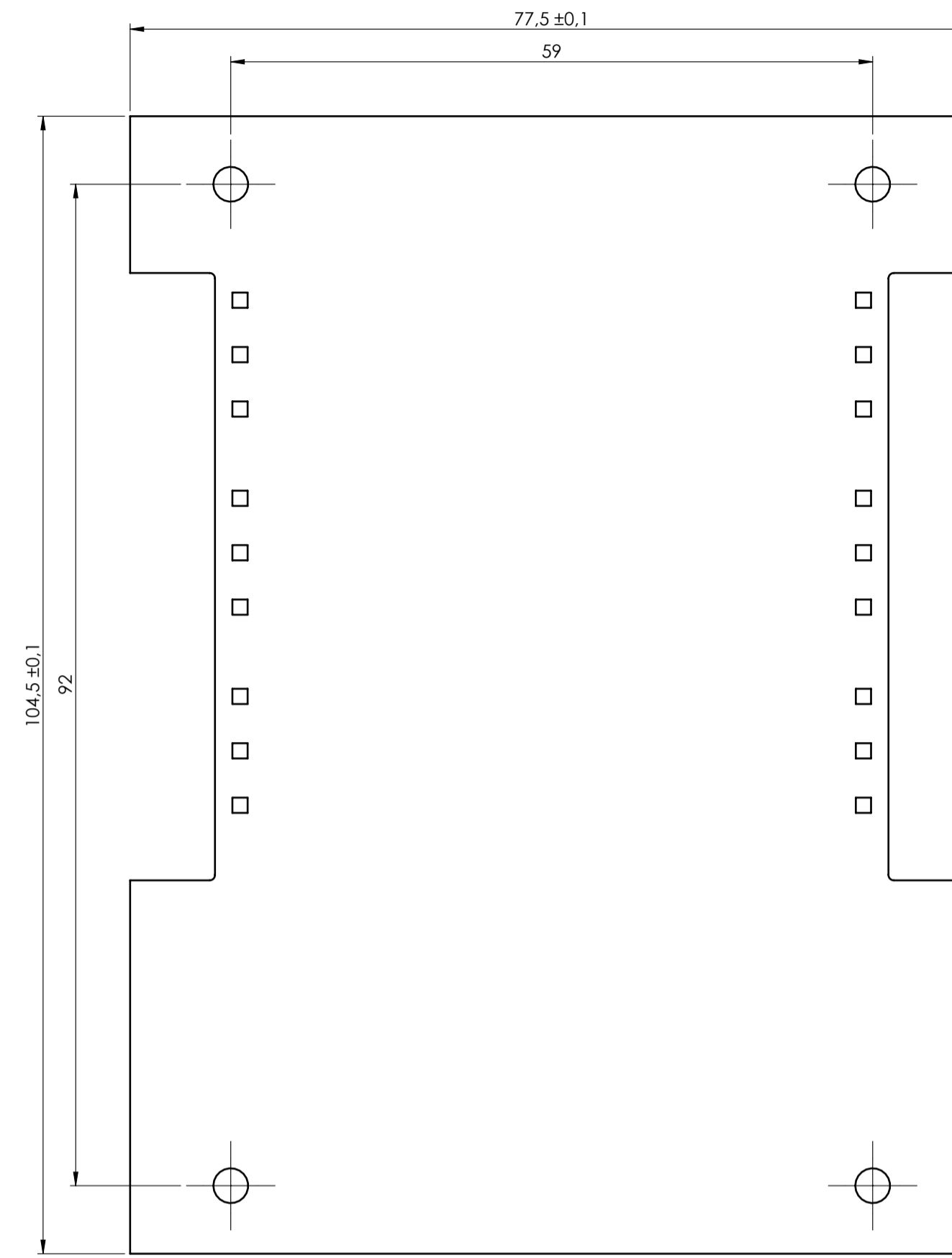
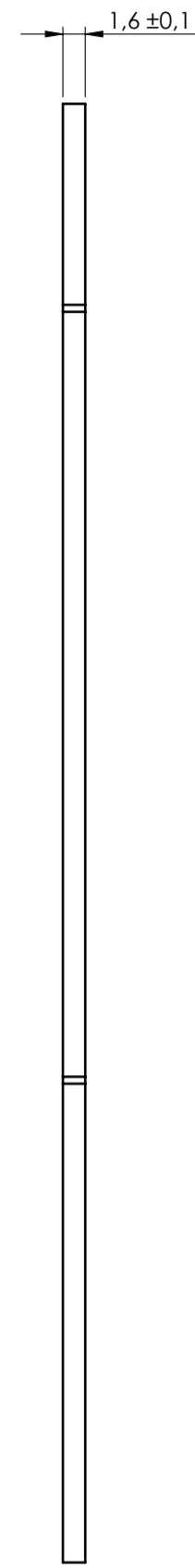
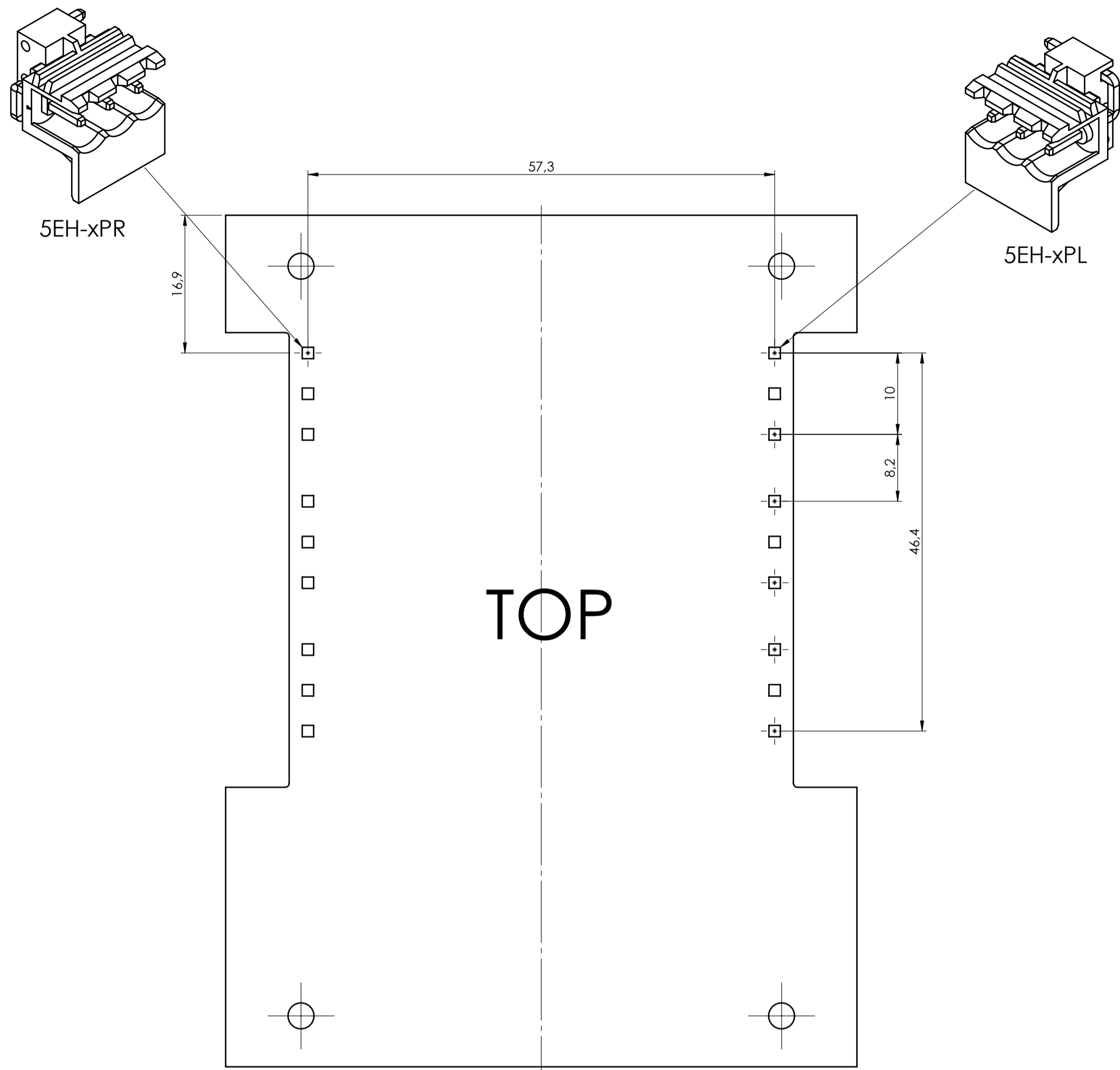


General Tolerance UNE EN 22768/1 Media (m)					Sheet:
from 0.5 to 3 ± 0.1	from 3 to 6 ± 0.1	from 6 to 30 ± 0.2	from 30 to 120 ± 0.3	from 120 to 400 ± 0.5	PCB V FIX
Scale:	Drawn:	Checked:	Date:	Material:	Process:
1:1	M.S.	R.N.	17/10/2023		
Dimension in mm	Replaces the:		Derived from:	Weight:	Cod. Mold:
	R-03440-00		--	gr	--
Description:					Rev.:
KIT CONTENTORE RAILBOX PLUG-FIX 35 MM KIT ENCLOSURE RAILBOX PLUG-FIX 35 MM					00 A1
Drawing nr. 3_110_00022					

NO COMPONENTS AREA



PCB V PLUG-IN



General Tolerance UNI EN 22768/1 Media (m)				Sheet:	
from 0.5 to 3 ± 0.1	from 3 to 6 ± 0.1	from 6 to 30 ± 0.2	from 30 to 120 ± 0.3	from 120 to 400 ± 0.5	PCB V PLUG-IN
Scale:	2:1	Drawn:	M.S.	Checked:	R.N.
Dimension in mm		Replaces the:	R-03440-00	Date:	17/10/2023
		Derived from:	--	Material:	--
		Weight:	gr	Cod. Mold:	--
Description:				KIT CONTENITORE RAILBOX PLUG-FIX 35 MM	
Drawing nr:				3_110_00022	
NO COMPONENTS AREA				Rev: 00 A1	
italtronic electronics for electronics italtronic.com					