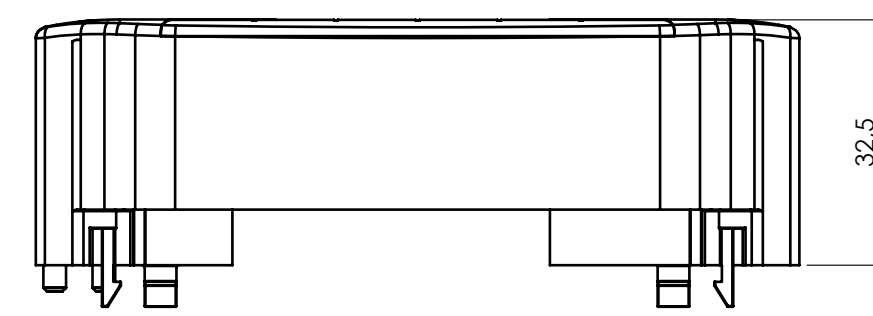
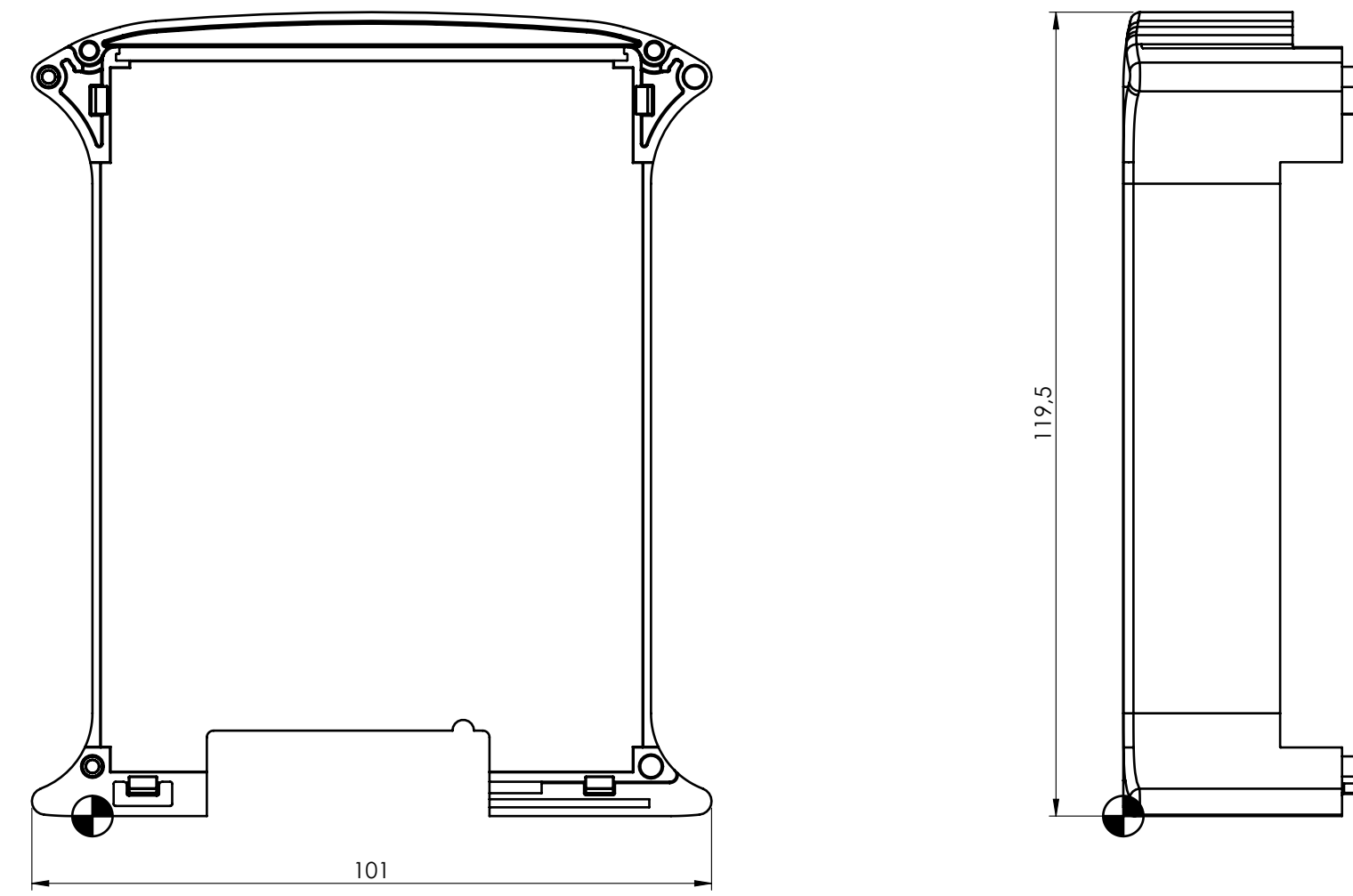
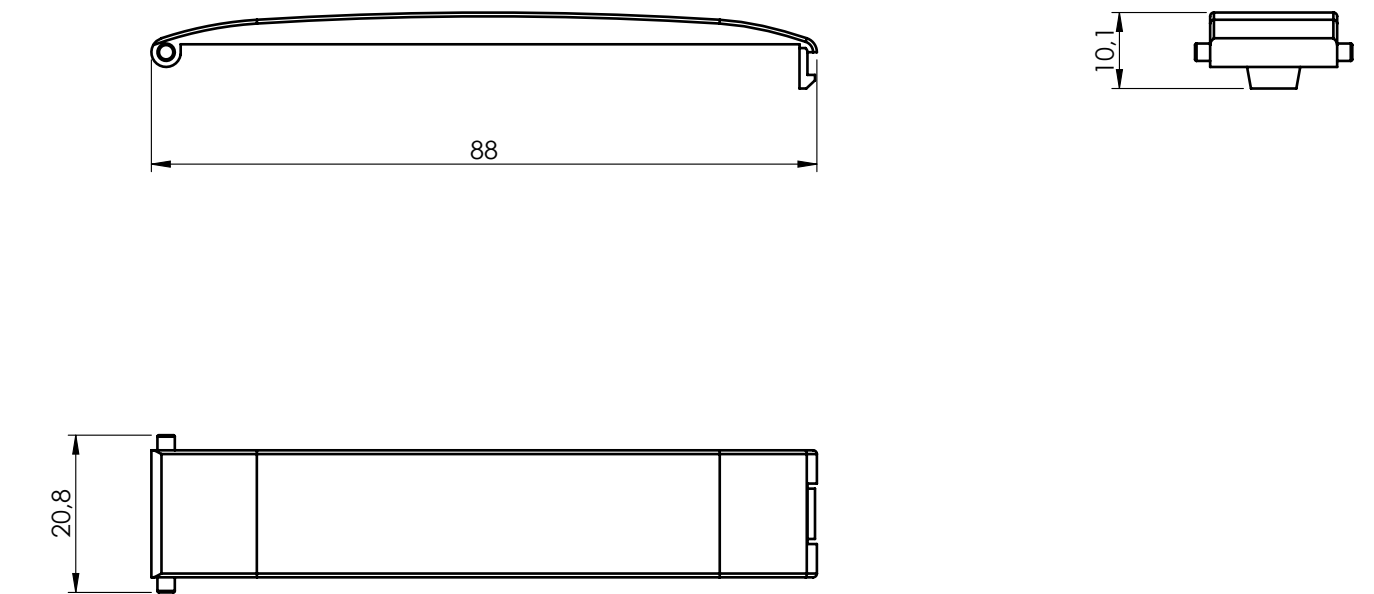


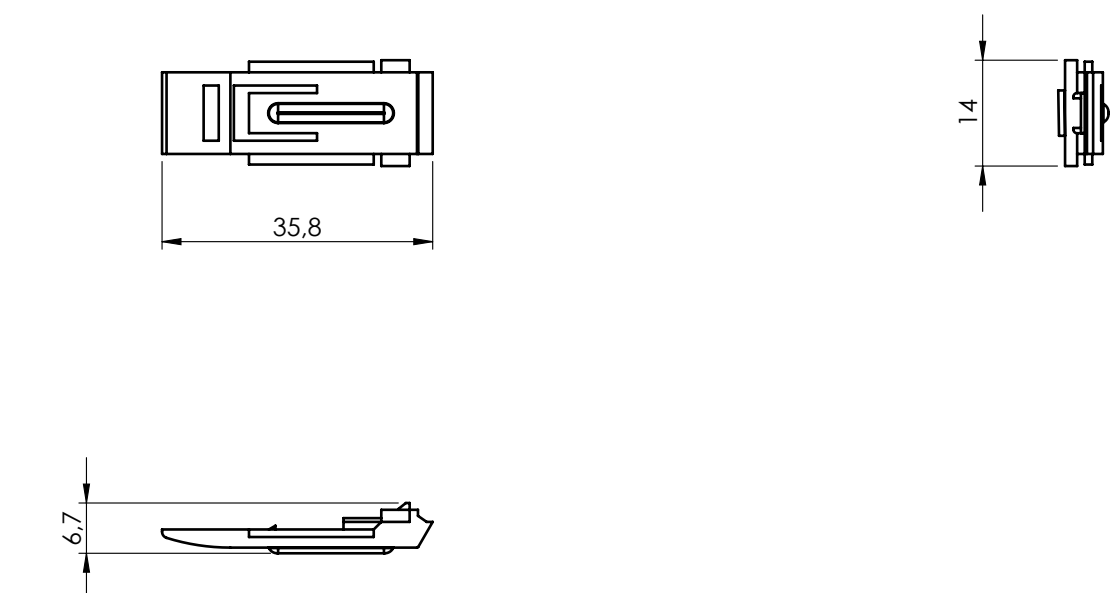
COVER RAILBOX



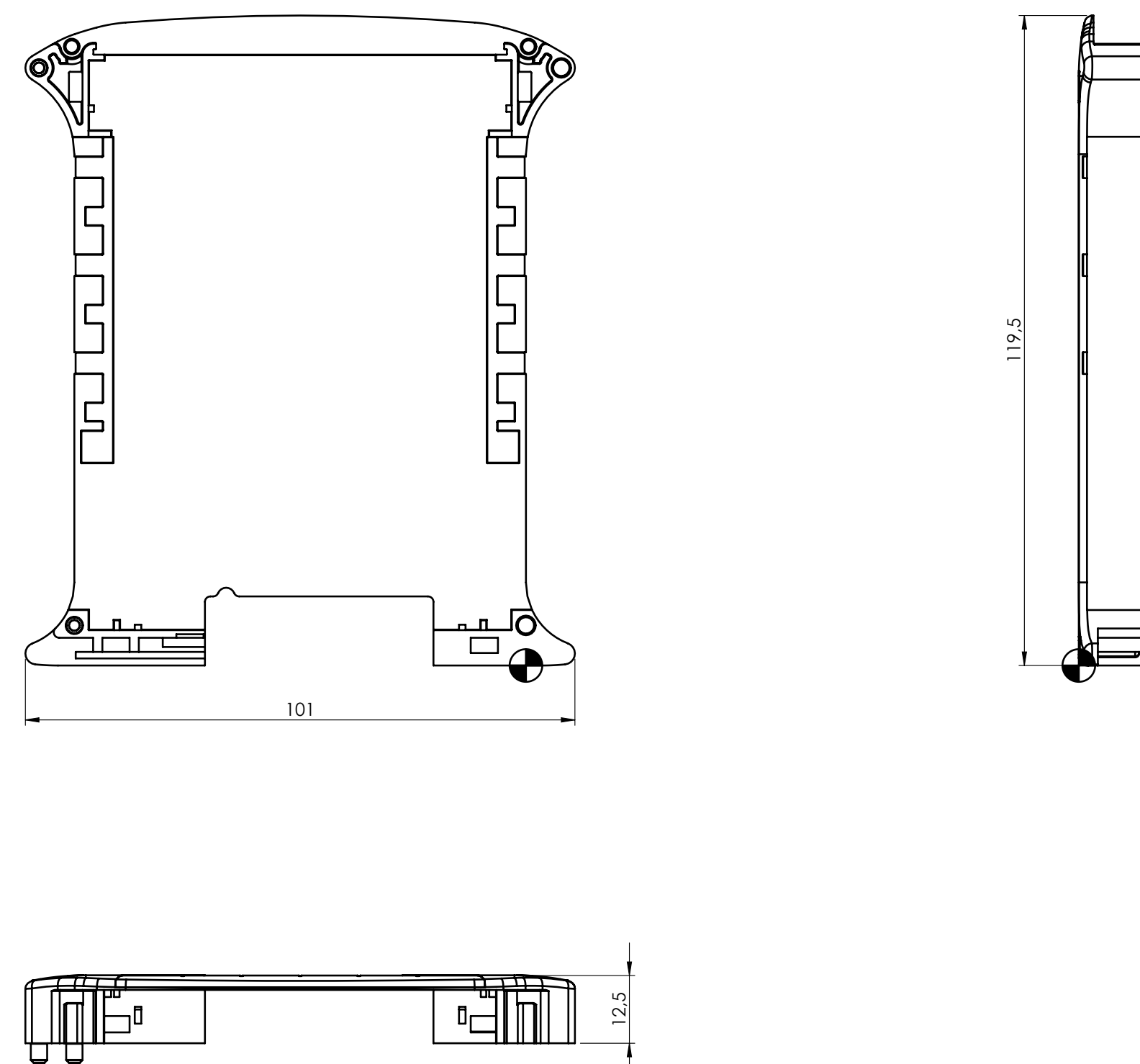
HINGED PANEL



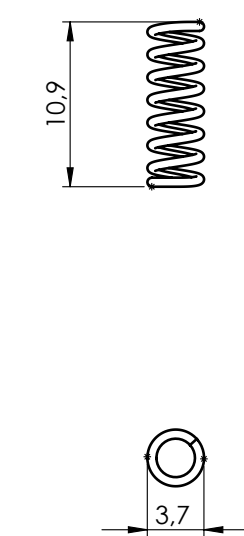
HOOK



BASE RAILBOX



SPRING



General information:
 ● Workpiece zero point for mechanical processing
 - Minimum recommended radius for machining = R1.0 mm
 - Mounting rail like EN 60715: TH 35-15
 - Recommended PCB outline on www.italtronic.com

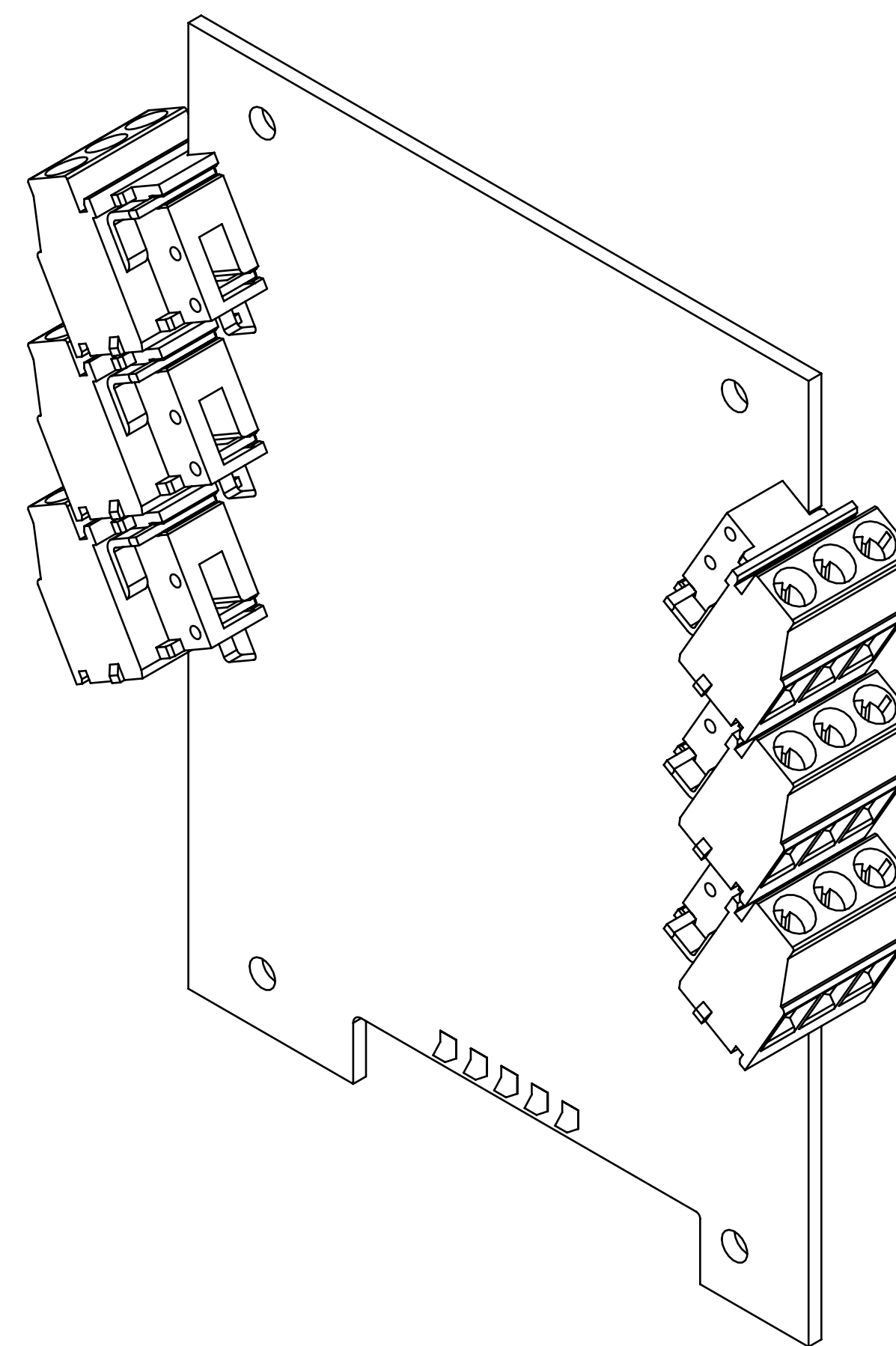
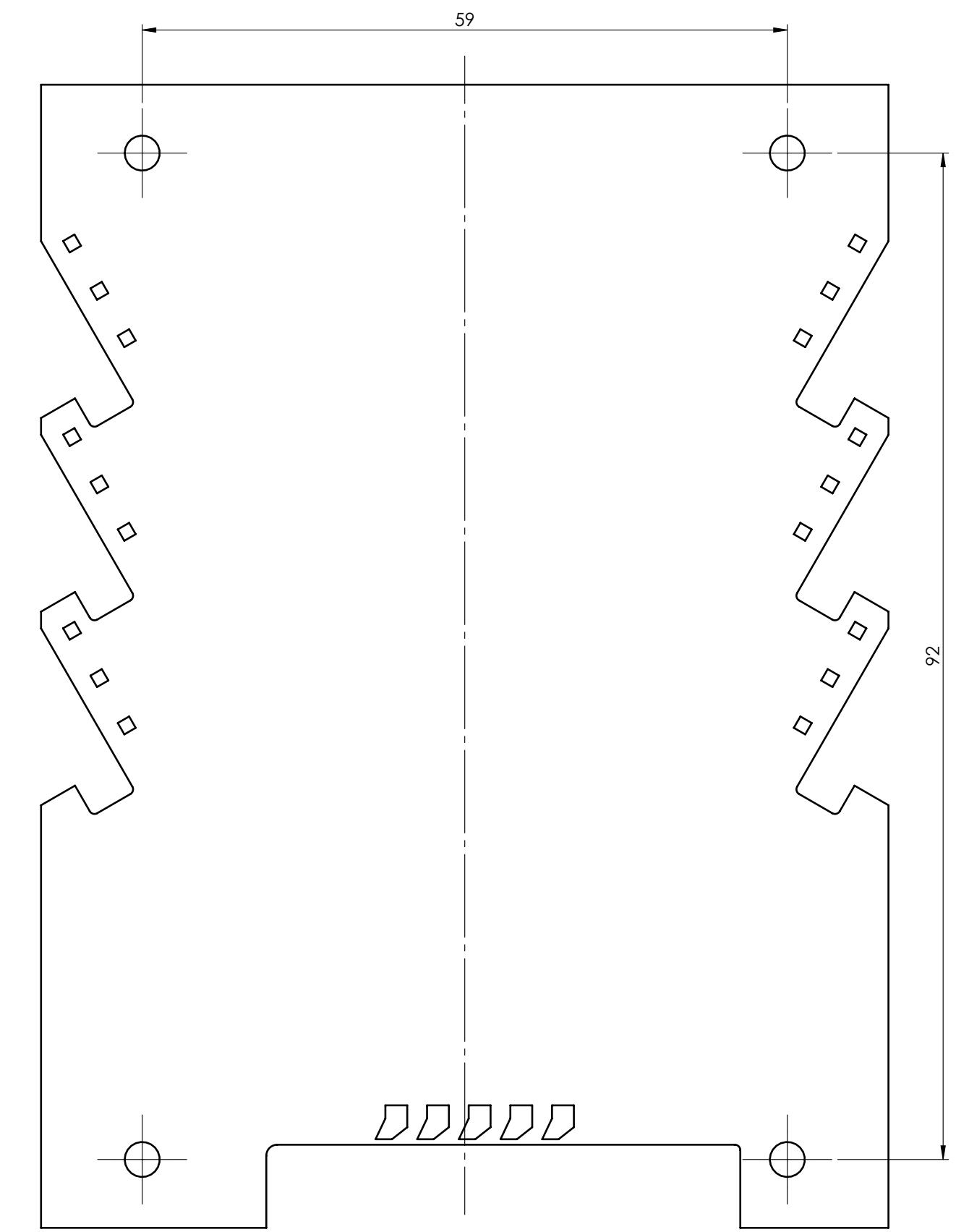
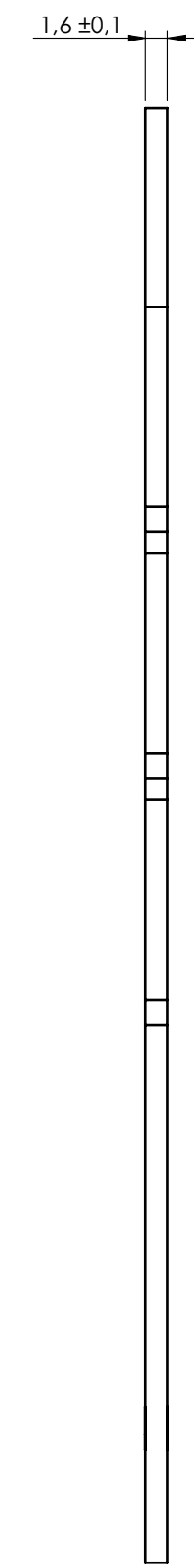
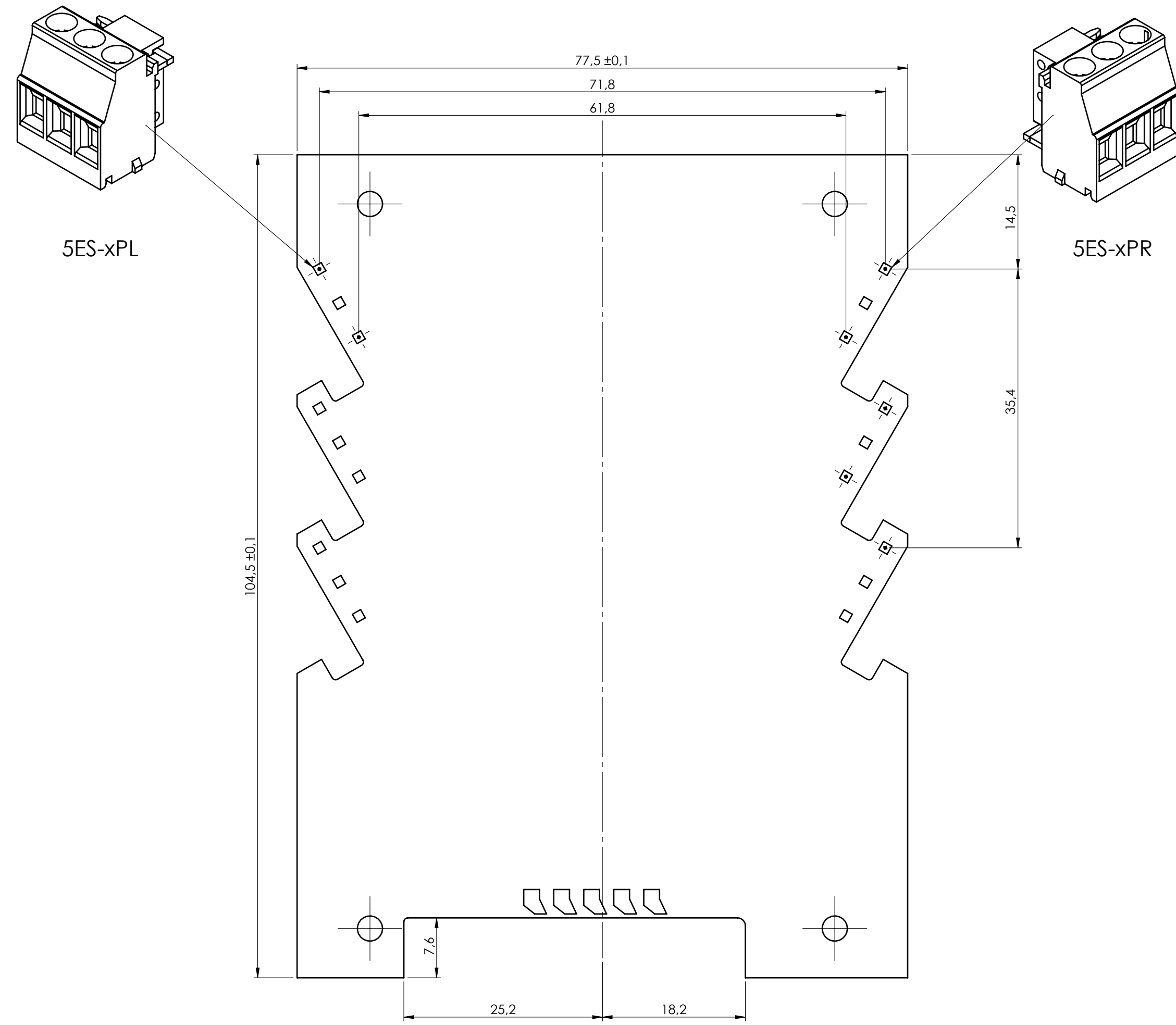
REF.	Q.TY	DRAWING	DESCRIPTION
1	1	2_110_00072	FRONT HINGED TRANSPARENT PANEL 17 MM
2	1	2_110_00012	BASE RAILBOX MULTILEVEL PLUG-IN AND FIX 12.5 MM BUS
3	1	2_110_00023	COVER RAILBOX PLUG-IN AND FIX 32.5 MM BUS
4	1	2_110_00010	HOOK RAILBOX FOR CONNECTION BUS
5	1	2_110_00011	SPRING FOR HOOK RAILBOX
6	2	2_110_00015	ACCESSORY BUS 22.5 MM

General Tolerances (UNE EN 22768/1) Medio (mm)

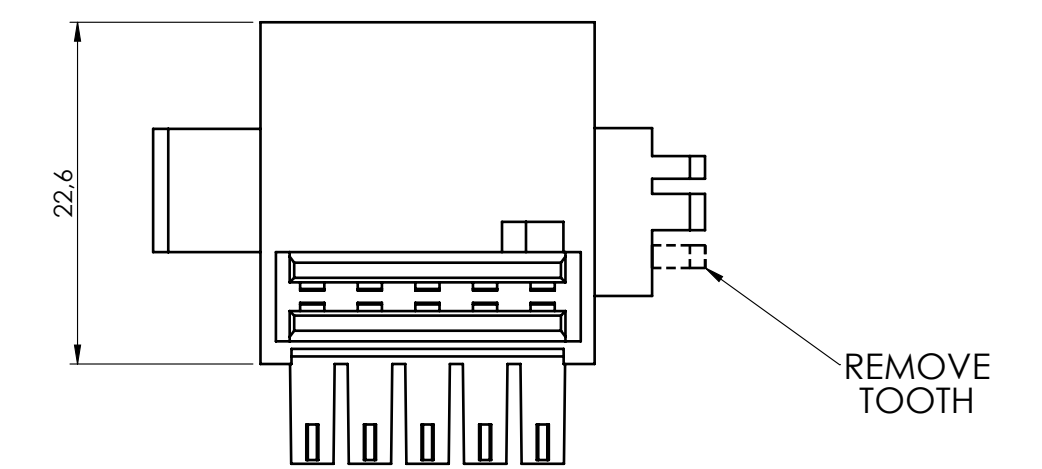
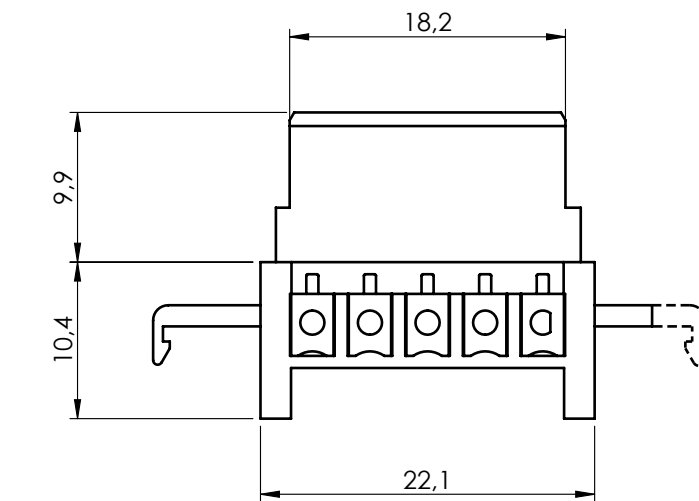
from 0.5 to 3	from 3 to 6	from 6 to 30	from 30 to 120	from 120 to 400
±0.1	±0.1	±0.2	±0.3	±0.5

Scale: 1:1
 Dimension in mm
 Drawing: M.S.
 Checked: R.N.
 Date: 24/01/2024
 Replaces the: R-03455-00
 Description: RAILBOX MULTILEVEL PLUG-IN E FIX 45 MM BUS
 RAILBOX MULTILEVEL PLUG-IN AND FIX 45 MM BUS
 Drawing: R-03455-00
 Weight: gr
 Cod. Mod: --
 Sheet: 1
 Rev: 00
 A1
 italtronic.com
3_110_00010

PCB V FIX



CONNECTOR TBUS COMPATIBLE



Italtronic s.r.l. does not provide the TBUS connector but only the predisposition of the enclosure.

General Tolerance IIR EN 22768/1 Media [m]				Sheet:	
from 0.5 to 3 ± 0.1	from 3 to 6 ± 0.1	from 6 to 30 ± 0.2	from 30 to 120 ± 0.3	from 120 to 400 ± 0.5	PCB
Scale: 1:1	IM:	Drawn: M.S.	Checked: R.N.	Date: 24/01/2024	Process:
Dimension in mm		Replaces the: R-03455-00	Derived from:	Weight: gr	Cod. Mod:
		Description: RAILBOX MULTILEVEL PLUG-IN E FIX 45 MM BUS			Rev: 00
		Drawing n°: 3_110_00010			A1