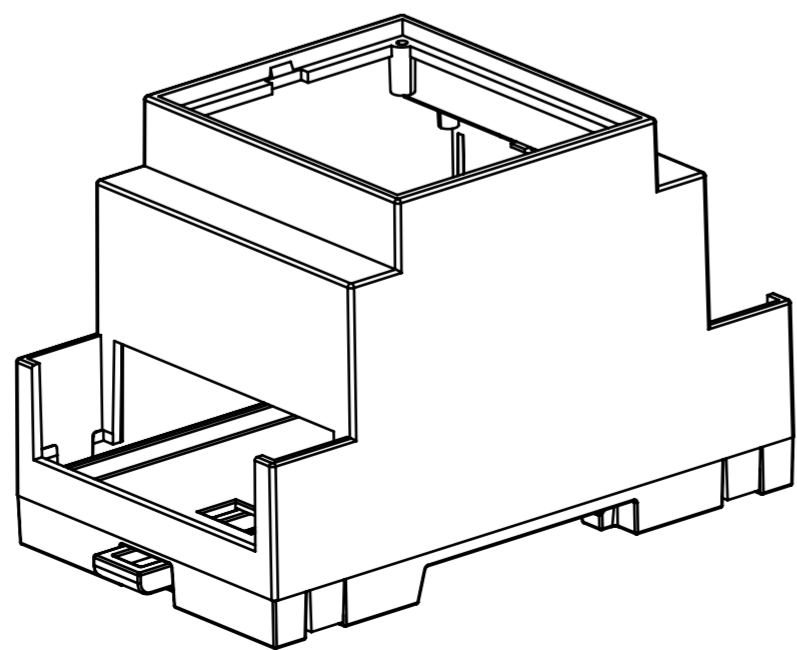
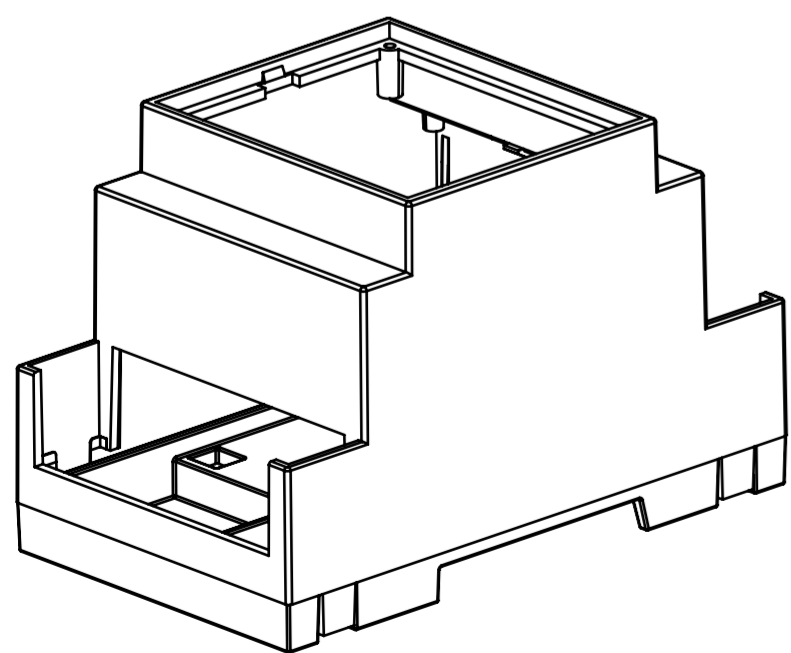
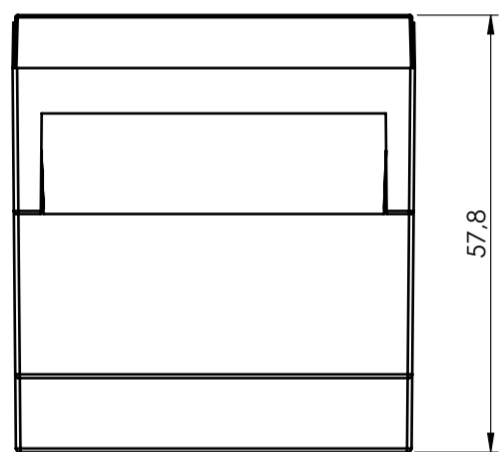
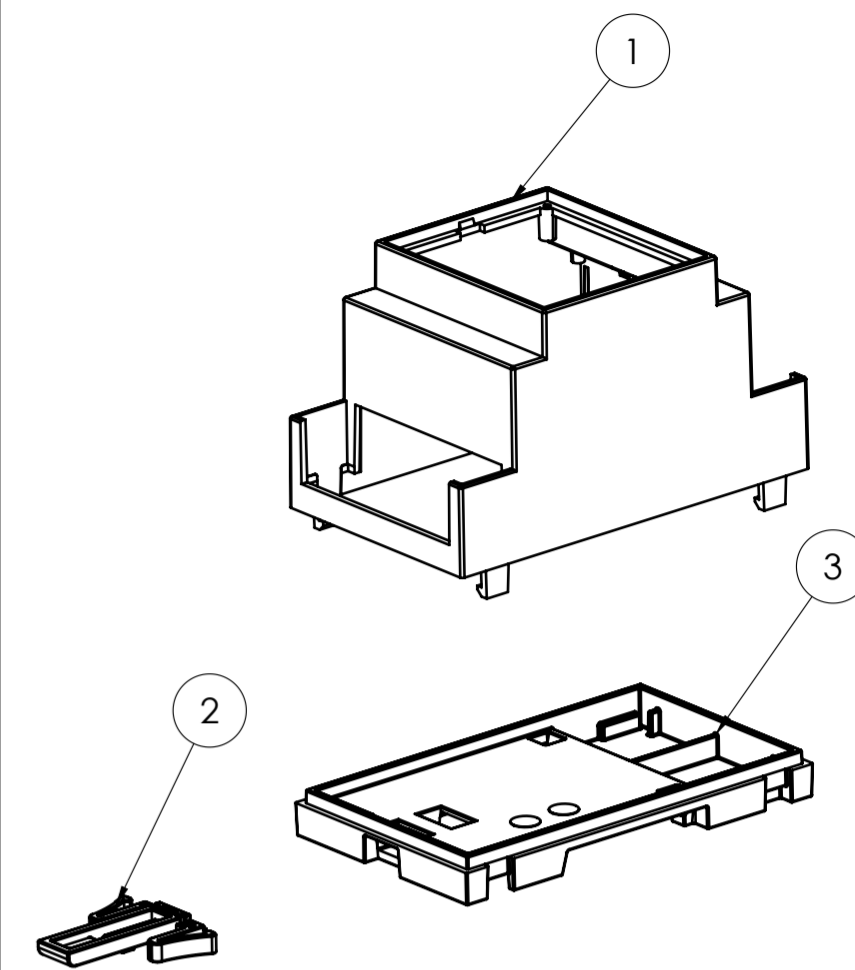
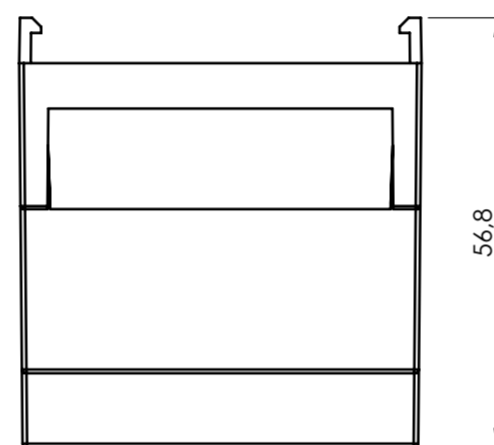
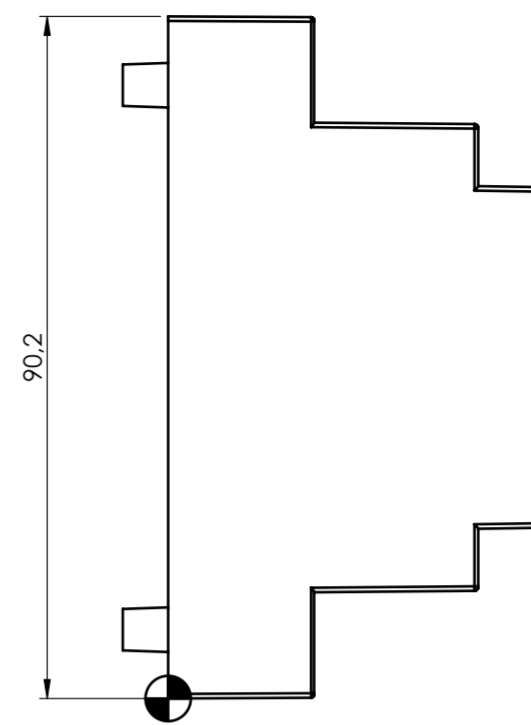
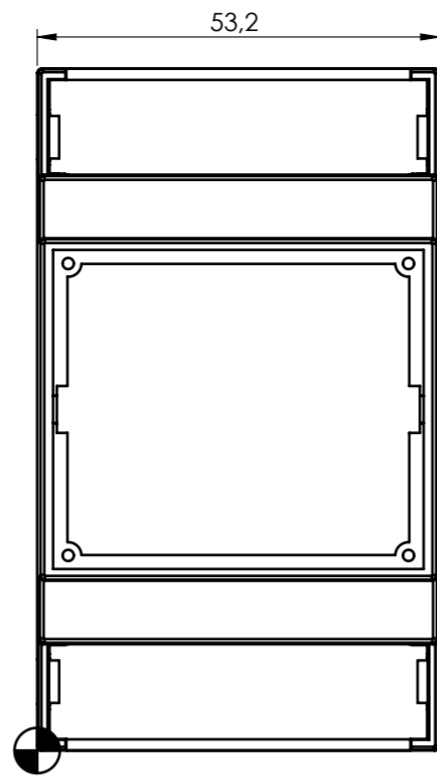


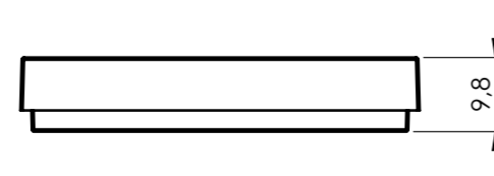
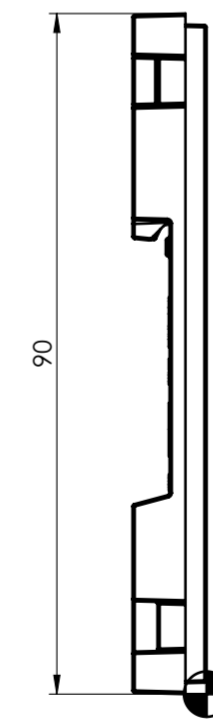
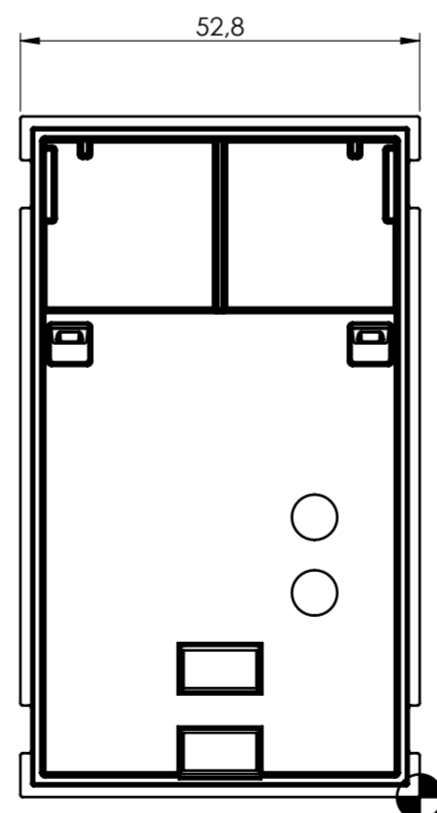
SECTION A-A



BODY ENCLOSURE

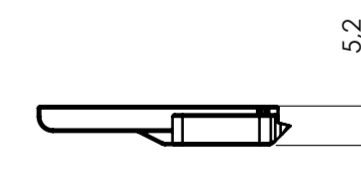
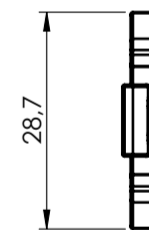
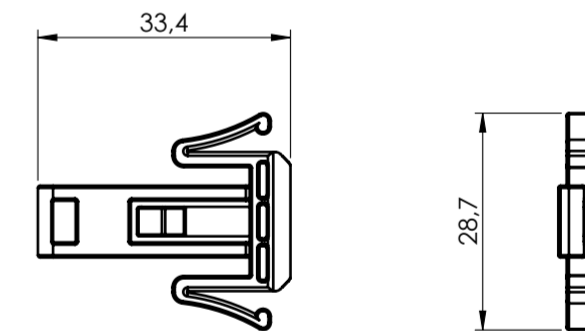


BASE



General information:  
 - Workpiece zero point for mechanical processing  
 - Minimum recommended radius for machining = R1.0 mm  
 - Mounting rail like EN 60715: TH 35-7.5 or TH 35-15  
 - Recommended PCB outline on [www.italtronic.com](http://www.italtronic.com)

HOOK

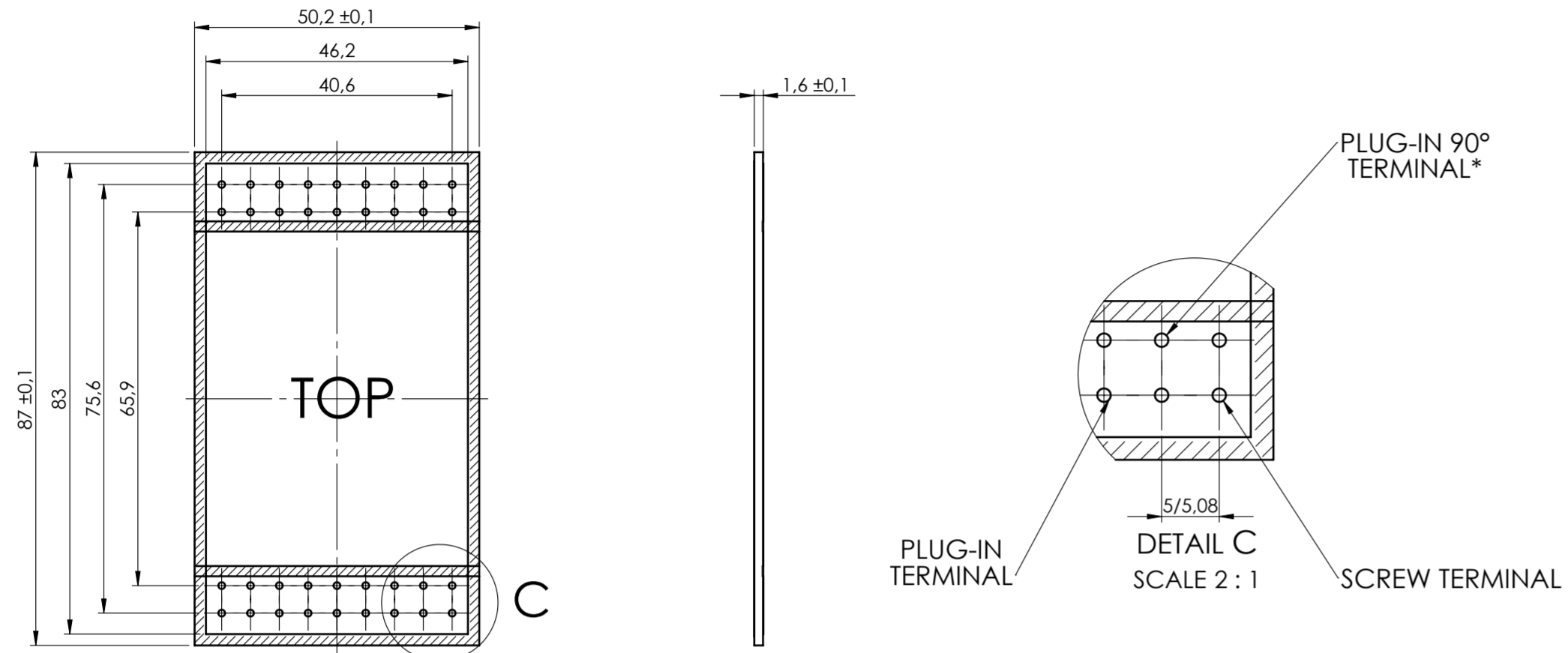


General Tolerance UNI EN 22768/1 Media (m)						Sheet:
from 0.5 to 3	from 3 to 6	from 6 to 30	from 30 to 120	from 120 to 400		1
± 0.1	± 0.1	± 0.2	± 0.3	± 0.5	IM:	Process:
Scale:	1:1	IM:	M.S.	R.N.	Date:	20/07/2023
Dimension in mm		Replaces the:		M-05726-00	Material:	Cod. Mold:
					Weight:	gr
Description:						Rev.:
KIT CONTENITORE MODULBOX ONE 3MH53						00
KIT ENCLOSURE MODULBOX ONE 3MH53						A2
Drawing nr.:						
3_250_00149						



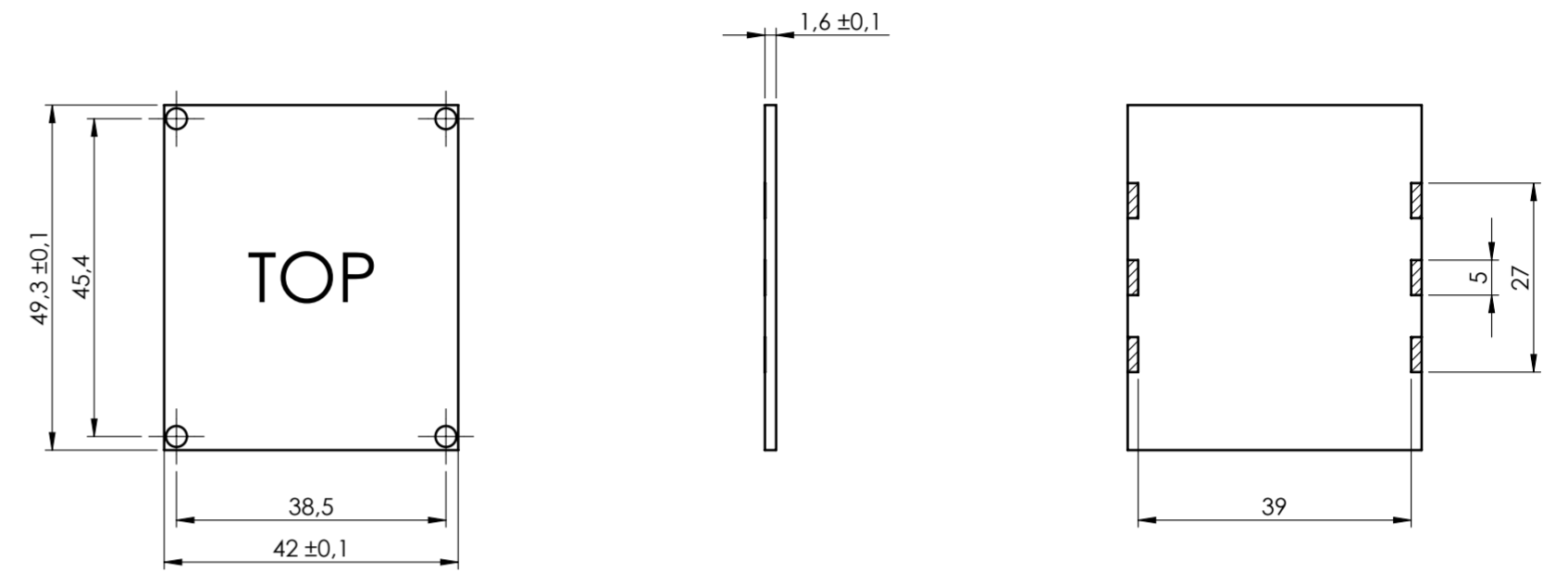
PCB A

Max height of the terminal:  
Modulbox ONE: 20 mm

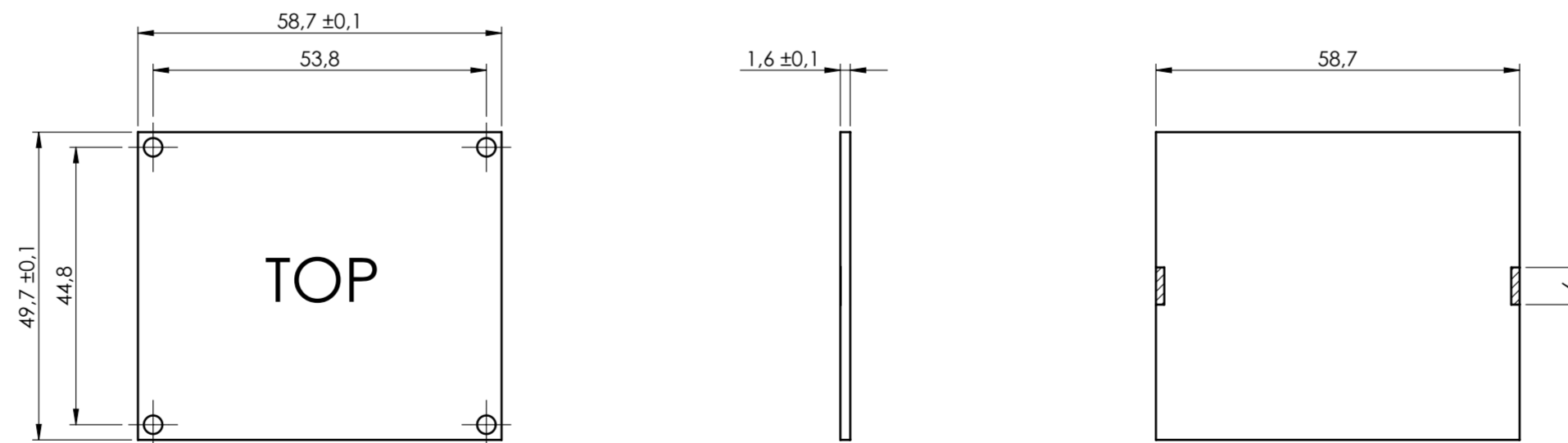


*\*To use the PLUG-IN terminals in Modulbox ONE use plug-in adapter P05000003E (5/5.08 pitch) and P05000004E (7.5/7.62 pitch)*

PCB C



PCB B



General Tolerance UNI EN 22768/1 Media (m)					Sheet:
from 0.5 to 3 ± 0.1	from 3 to 6 ± 0.1	from 6 to 30 ± 0.2	from 30 to 120 ± 0.3	from 120 to 400 ± 0.5	PCB
Scale:	IM:	Drawn:	Checked:	Date:	Material:
1:1	--	M.S.	R.N.	20/07/2023	Process:
Dimension in mm		Replaces the:		Weight:	Cod. Mold:
		M-05726-00		gr	--
 enclosures for electronics italtronic.com		Description: KIT CONTENITORE MODULBOX ONE 3MH53 KIT ENCLOSURE MODULBOX ONE 3MH53			Rev.:
		Drawing nr.: <b>3_250_00149</b>			00 A2

NO COMPONENTS AREA