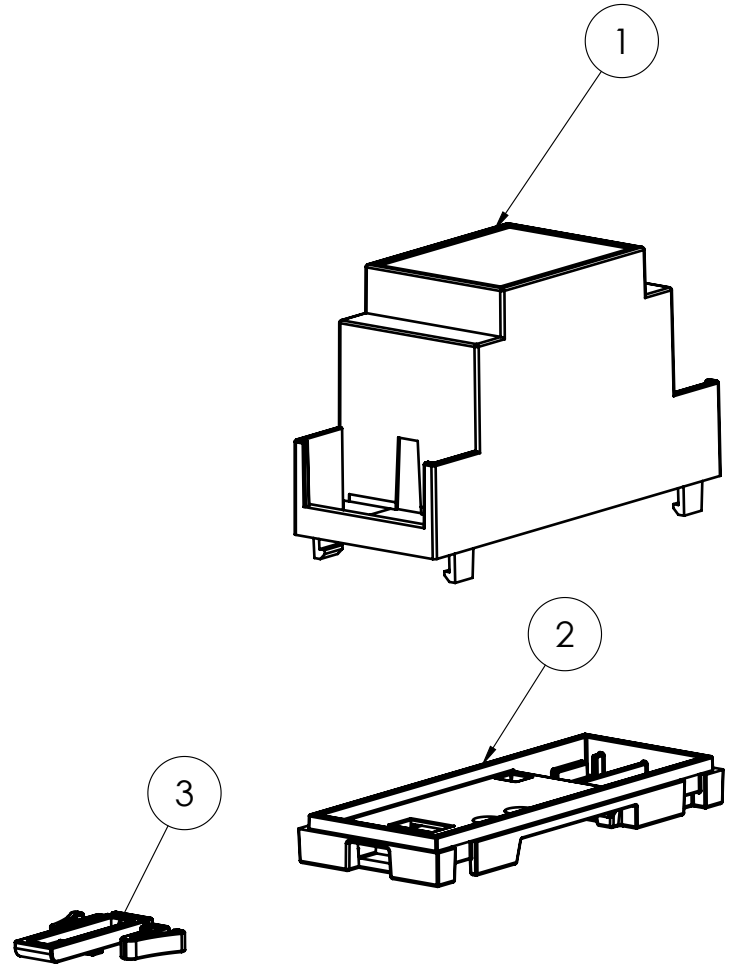
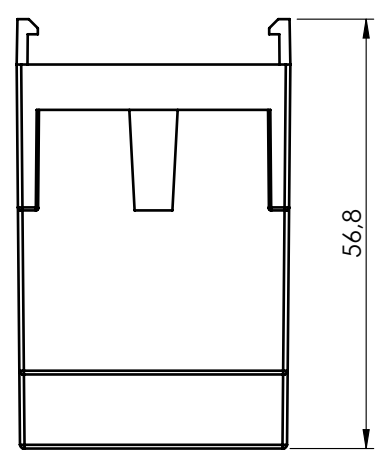
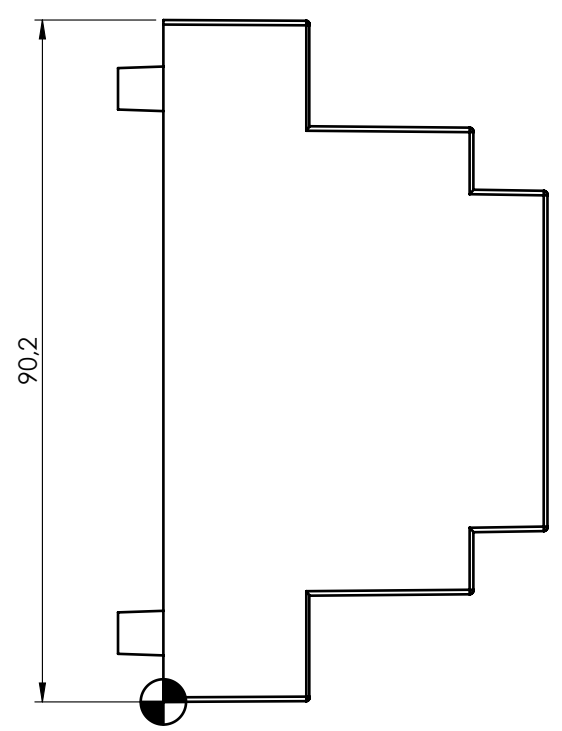
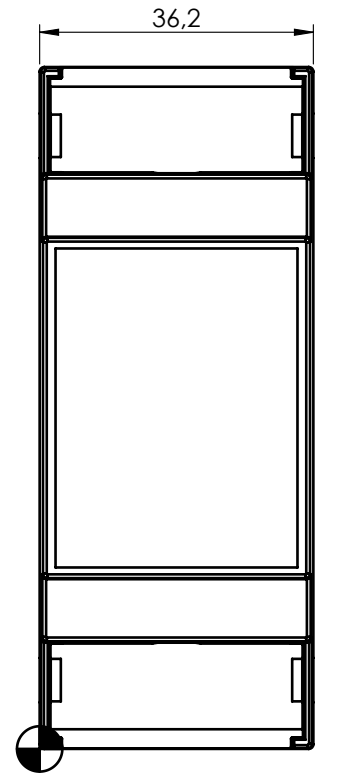
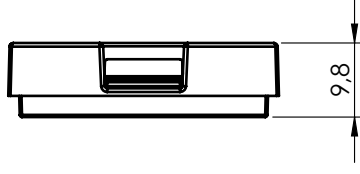
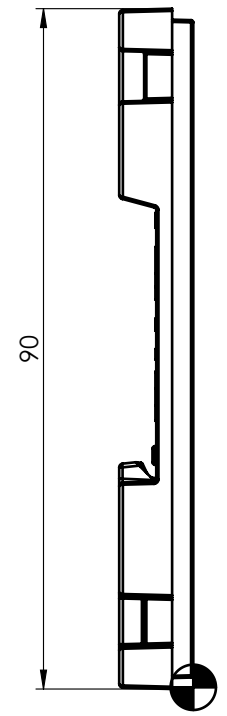
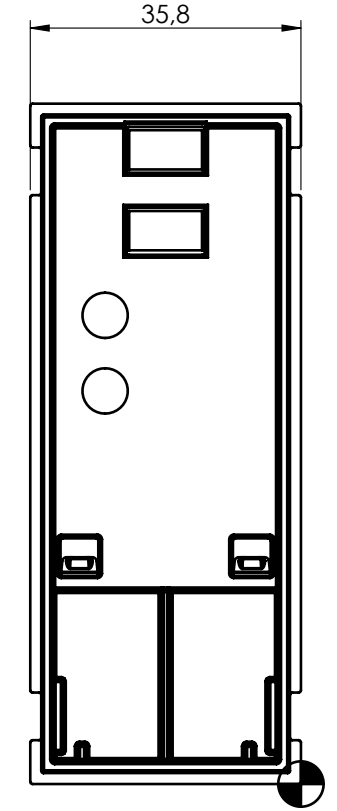


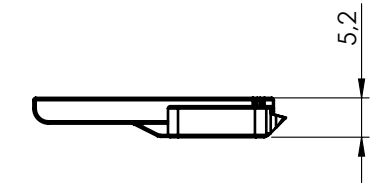
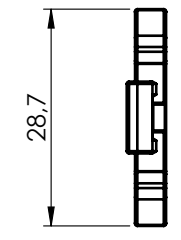
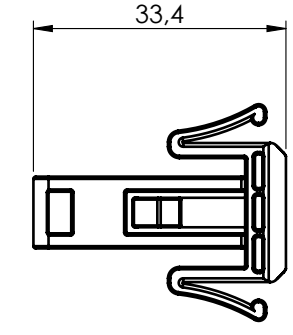
### BODY ENCLOSURE



### BASE



### HOOK



General information:  
 - Workpiece zero point for mechanical processing  
 - Minimum recommended radius for machining = R1.0 mm  
 - Mounting rail like EN 60715: TH 35-7.5 or TH 35-15  
 - Recommended PCB outline on [www.italtronic.com](http://www.italtronic.com)

RIF.	Q.TY	DRAWING	DESCRIPTION
1	1	2_250_00109	BODY ENCLOSURE MODULBOX ONE 2MC53
2	1	2_250_03647	BASE MODULBOX ONE 2M
3	1	2_250_00079	HOOK FOR MODULBOX ONE

General Tolerance UNI EN 22768/1 Media (m)					Sheet:
from 0.5 to 3 ± 0.1	from 3 to 6 ± 0.1	from 6 to 30 ± 0.2	from 30 to 120 ± 0.3	from 120 to 400 ± 0.5	1
Scale:	Drawn:	Checked:	Date:	Material:	Process:
1:1	M.S.	R.N.	14/07/2023		
Dimension in mm	Derived from:			Weight:	Cod. Mold:
				gr	--

**italtronic**  
 enclosures for electronics  
[italtronic.com](http://italtronic.com)

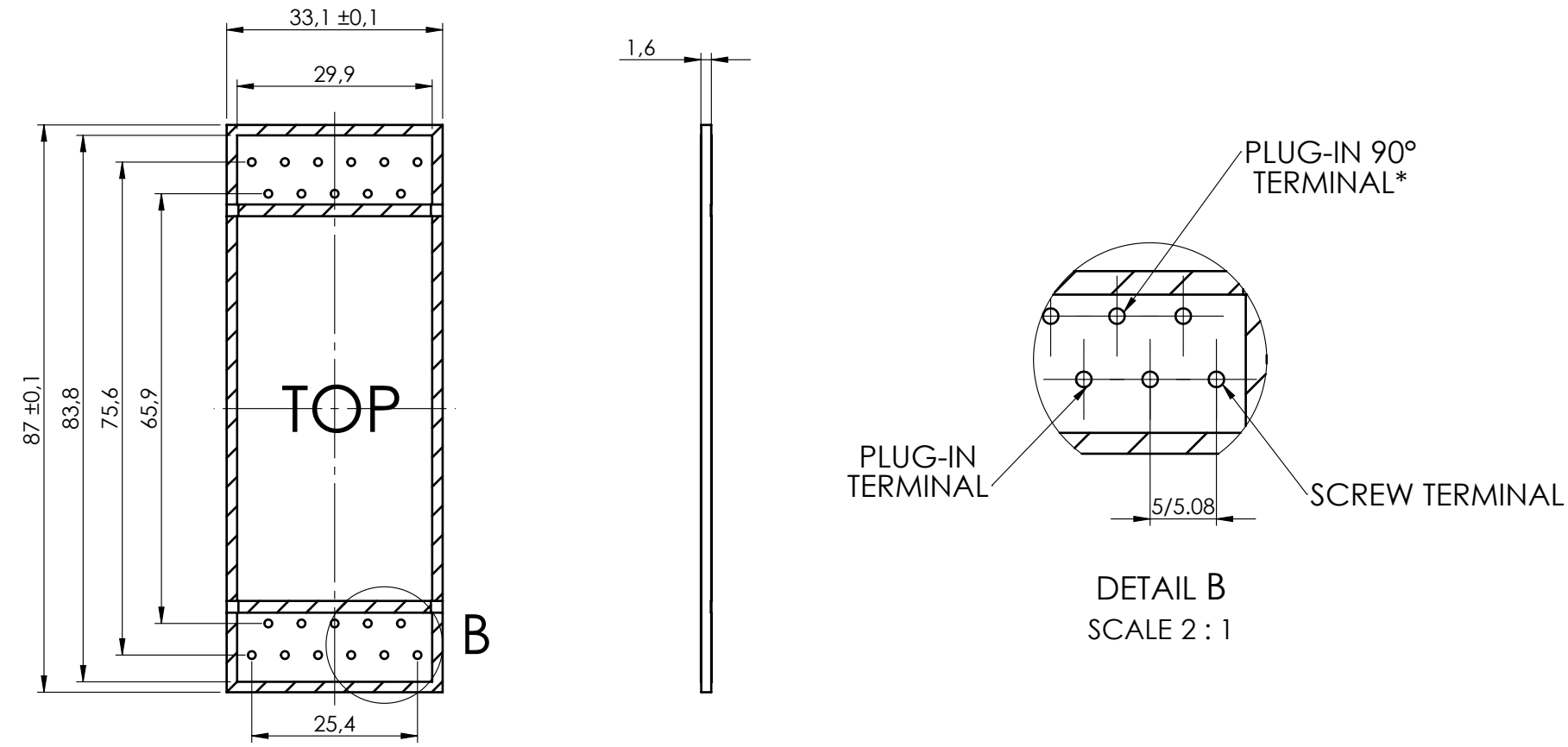
Description:  
 KIT CONTENITORE MODULBOX ONE 2MC53  
 KIT ENCLOSURE MODULBOX ONE 2MC53

Drawing nr.:  
**3\_250\_00140**


Rev.:  
 - A2

Max height of the terminal:  
Modulbox ONE: 20 mm

### PCB A



*\*To use the PLUG-IN terminals in Modulbox ONE use plug-in adapter P05000003E (5/5.08 pitch) and P05000004E (7.5/7.62 pitch)*

General Tolerance UNI EN 22768/1 Media (m)					Sheet:
from 0.5 to 3 $\pm 0.1$	from 3 to 6 $\pm 0.1$	from 6 to 30 $\pm 0.2$	from 30 to 120 $\pm 0.3$	from 120 to 400 $\pm 0.5$	PCB
Scale:	Drawn:	Checked:	Date:	Material:	Process:
1:1	M.S.	R.N.	14/07/2023		
Dimension in mm	The present drawing cannot be reproduced or communicated to third parties, even partially, without the authorization of Italtronic. Italtronic reserves the right to protect its copyrights according to the law.			Weight:	Cod. Mold:
				gr	--
 <b>italtronic</b> enclosures for electronics italtronic.com					Description: KIT CONTENITORE MODULBOX ONE 2MC53 KIT ENCLOSURE MODULBOX ONE 2MC53 Drawing nr.: <b>3_250_00140</b>
					Rev.: - A2

 NO COMPONENTS AREA