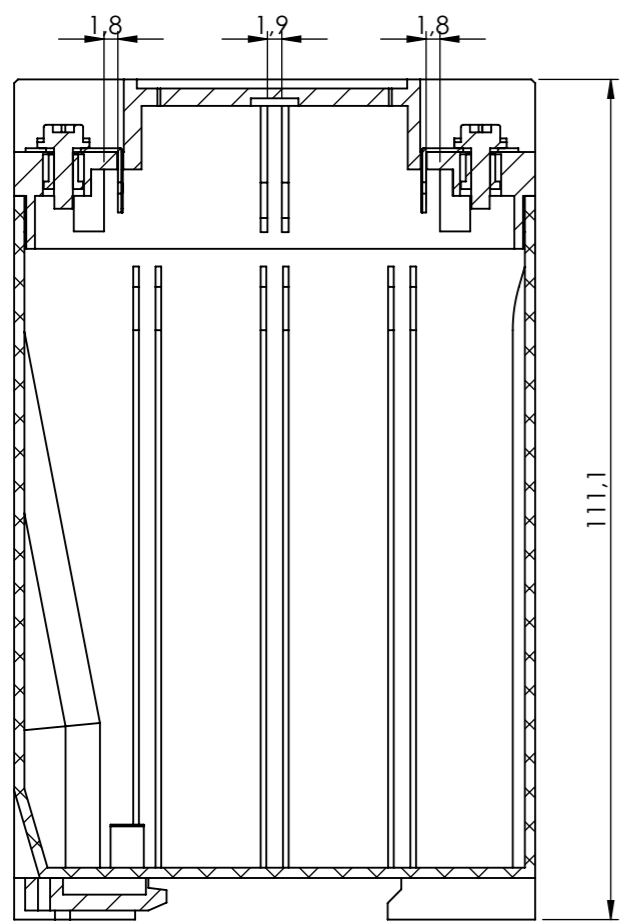
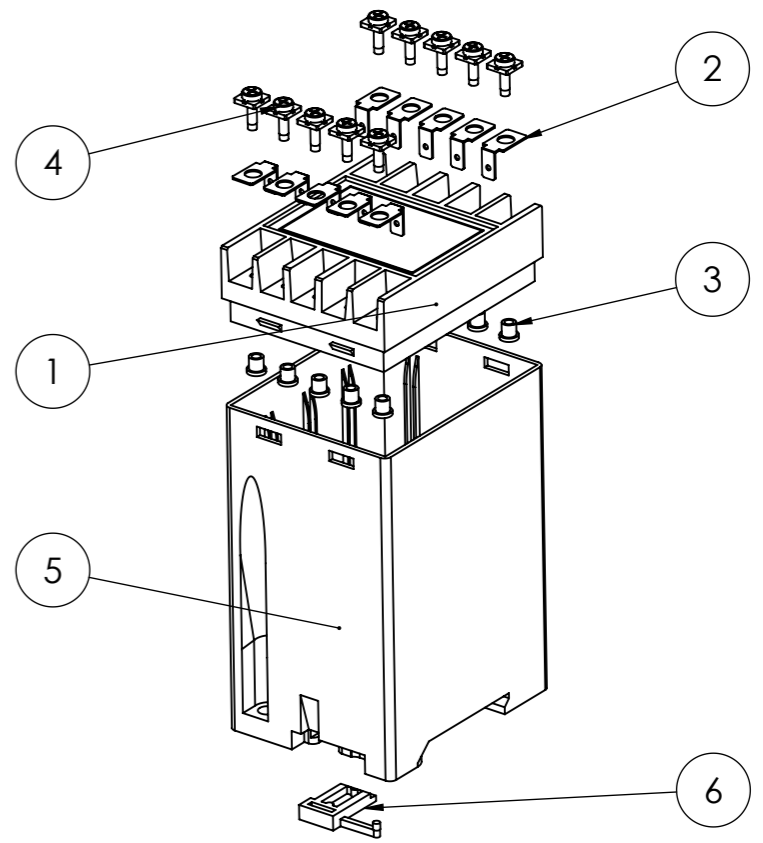
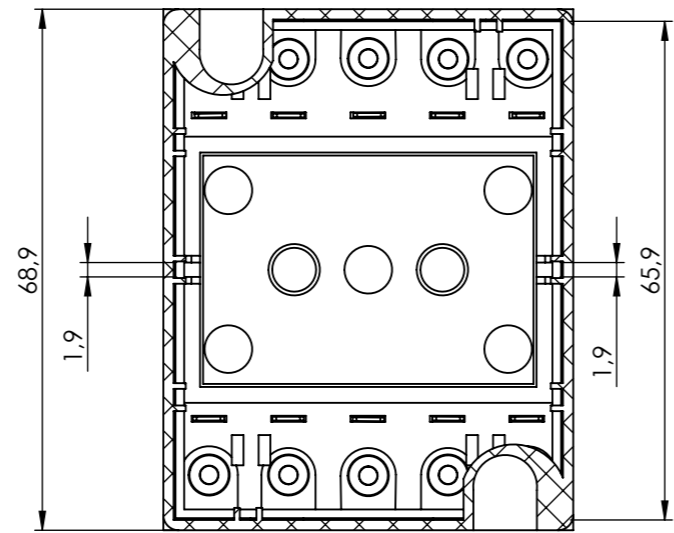
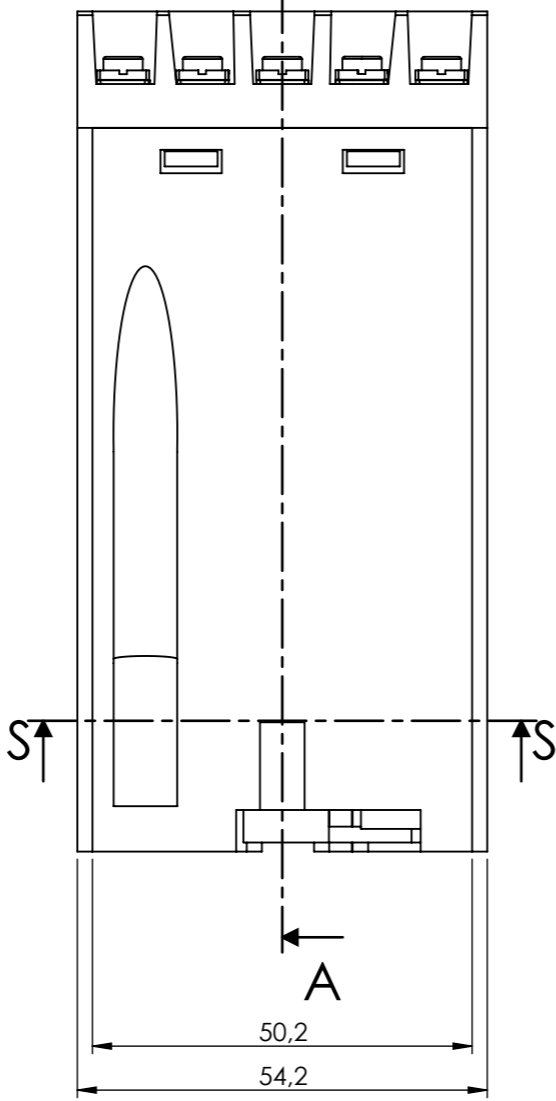


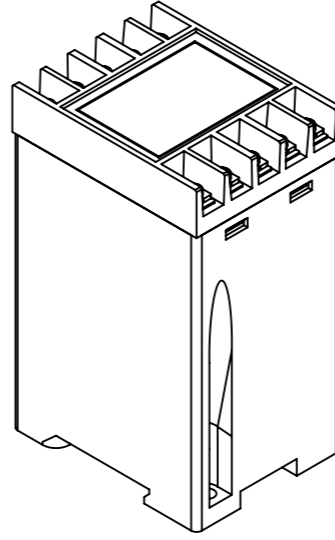
RIF.	Q.TY	DRAWING	DESCRIPTION
1	1	2_220_00013	PLINTH IT010
2	10	8_040_00082	PLATE IT010
3	10	8_040_00083	COMPASS IT010
4	10	8_100_00035	SCREW IT010
5	1	2_220_00012	ENCLOSURES GUIDE IT010
6	1	2_220_00011	HOOK IT010



SECTION S-S



SECTION A-A



General Tolerance UNI EN 22768/1 Media (m)				
from 0.5 to 3	from 3 to 6	from 6 to 30	from 30 to 120	from 120 to 400
± 0.1	± 0.1	± 0.2	± 0.3	± 0.5
Scale: 1:1	Sheet nr.: 1/1	Drawn: B.G.	Checked: R.N.	Date: 22/02/2021
Dimension in mm		Material:	Weight: gr	Cod. Mold: --
 enclosures for electronics italtronic.com		Description: CONTENITORE IT010 COMPLETE ENCLOSURE IT010 70X55X110 Drawing nr. 3_220_00002		Rev.

RESERVED PROPERTY: The present drawing cannot be reproduced or communicated to 3rd parties, even partially, without the authorization of ITALTRONIC Srl. Italtronic reserves to protect its own rights according to the law.