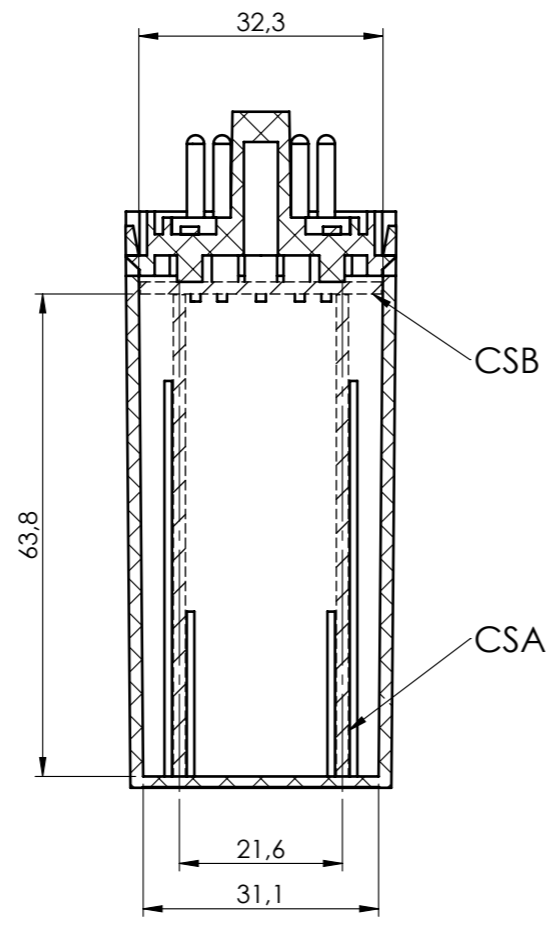
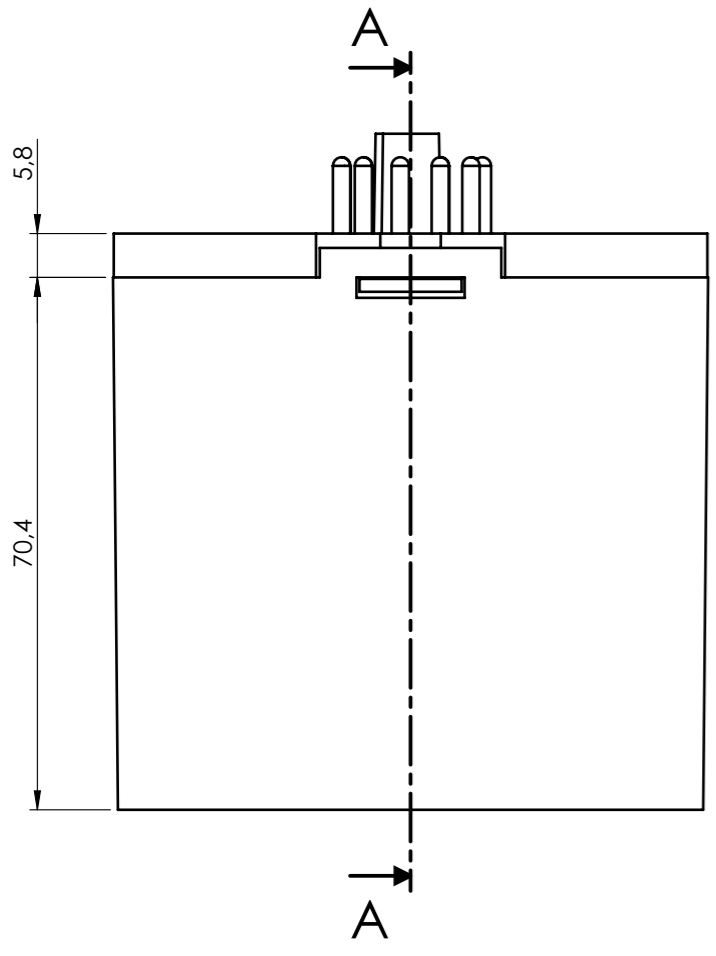
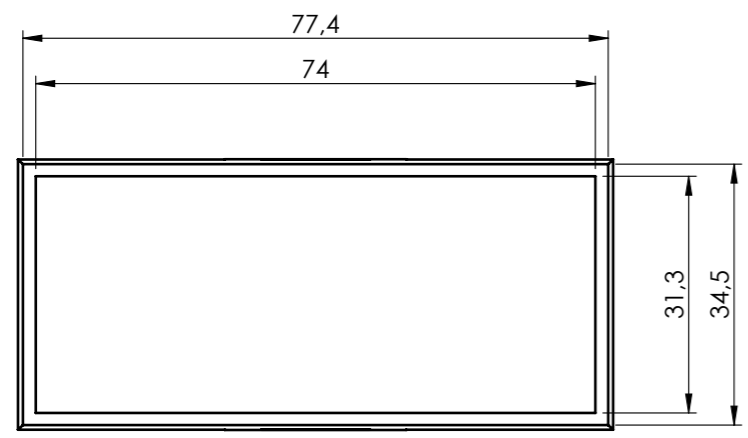
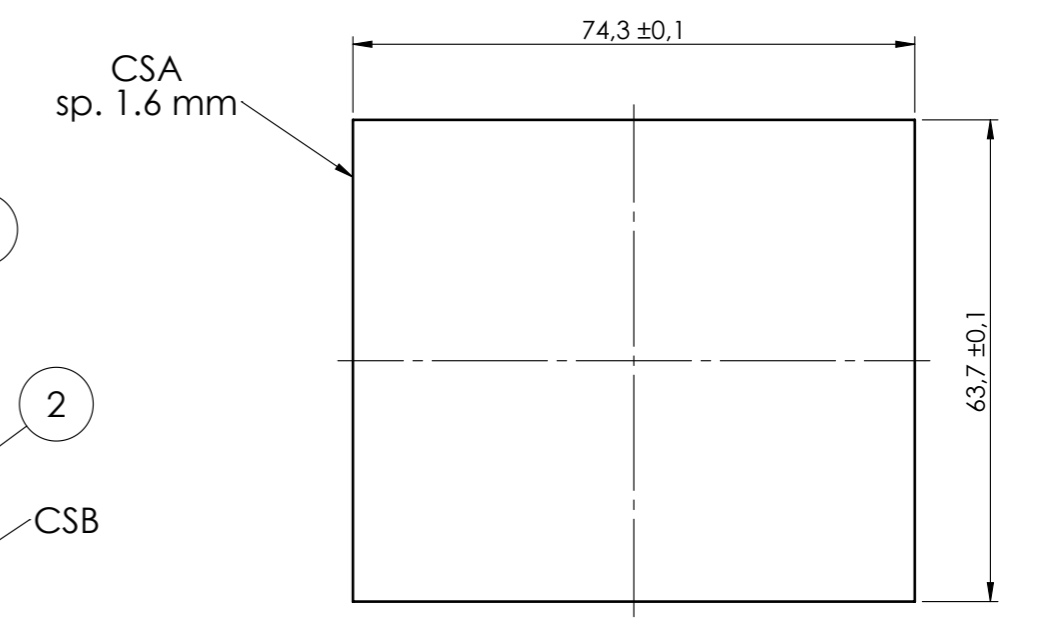
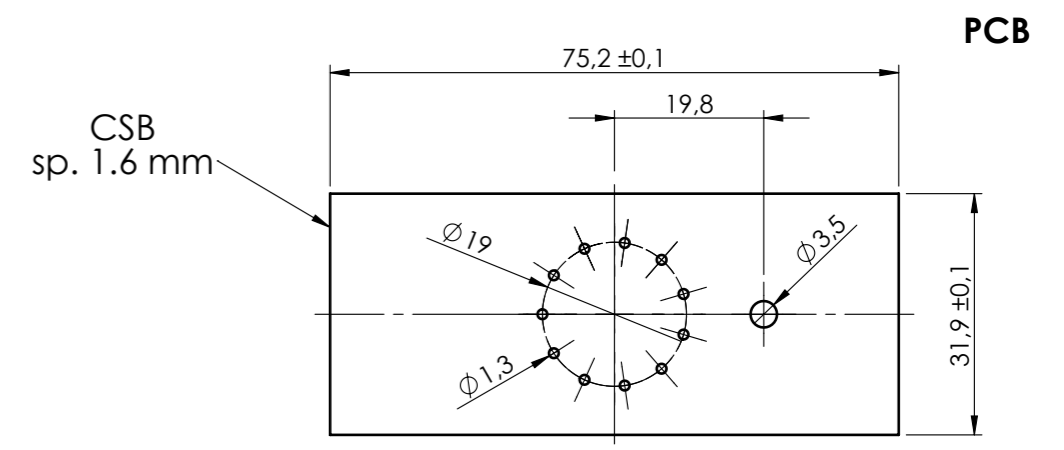
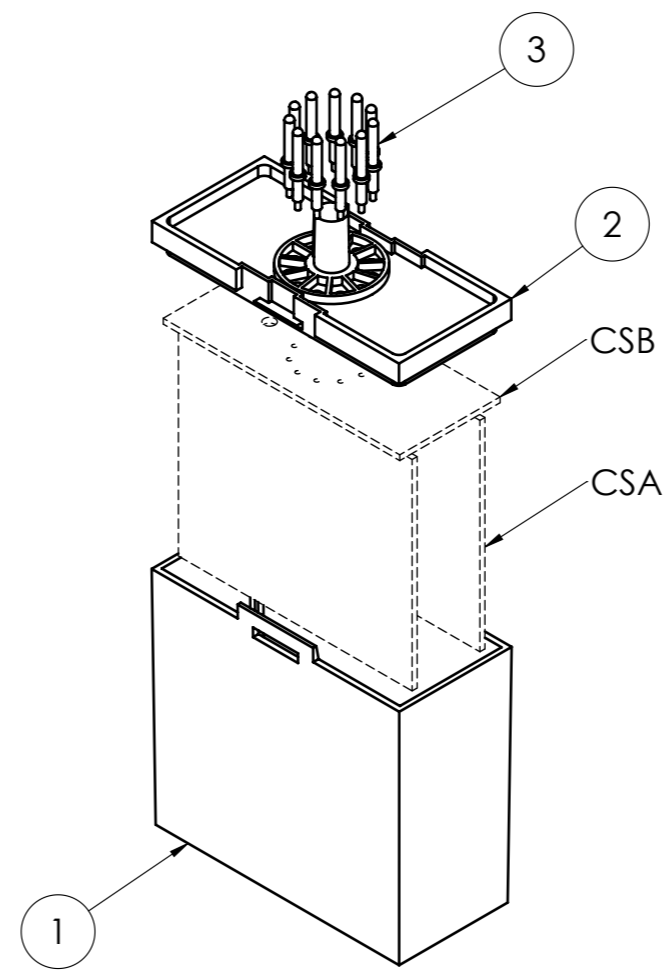
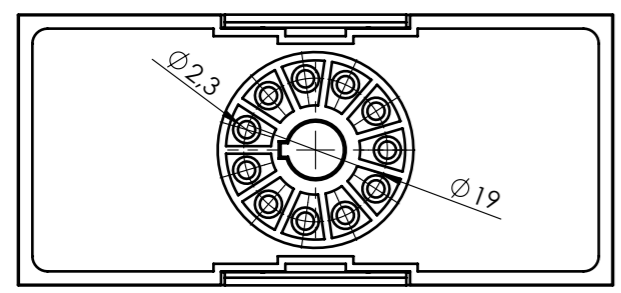


Revisions			
Rev.	Description	Date	Modified by
1	Updated cartouche with new code (code passed V-07291-00)	20/09/2022	R.N.



SECTION A-A



RIF.	Q.TY	DRAWING	DESCRIPTION
1	1	2_220_00009	BODY ENCLOSURE CZ11 CLOSED VERSION
2	1	2_220_00007	BASE ENCLOSURE CZ11 (UNDECAL)
3	11	2_220_00014	PIN FOR ENCLOSURE CZ8/CZ11

General Tolerance UNI EN 22768/1 Media (m)					Sheet:
from 0.5 to 3	from 3 to 6	from 6 to 30	from 30 to 120	from 120 to 400	1
± 0.1	± 0.1	± 0.2	± 0.3	± 0.5	
Scale:	Drawn:	Checked:	Date:	Material:	Process:
1:1	R.N.	R.N.	20/09/2022		
Dimension in mm	The present drawing cannot be reproduced or communicated to 3rd parties, even partially, without the authorization of ITALTRONIC S.p.A. Italtronic reserves to protect its own rights according to the law.			Weight:	Cod. Mold:
	--			- gr	--

italtronic
enclosures for electronics
italtronic.com

Description:
KIT CONTENITORE GUIDE UNDECAL CZ11 SP CON ZOCCOLO
KIT ENCLOSURE GUIDE UNDECAL CZ11 SP WITH SOCKET

Drawing nr.: **3_220_00001**

Rev.: 01

A3