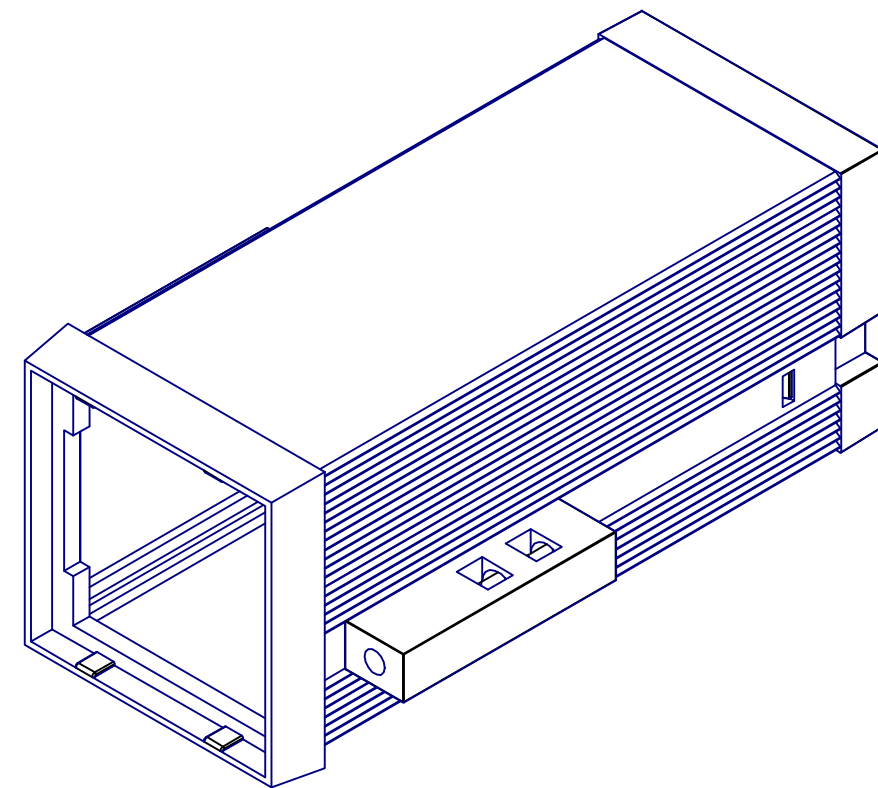
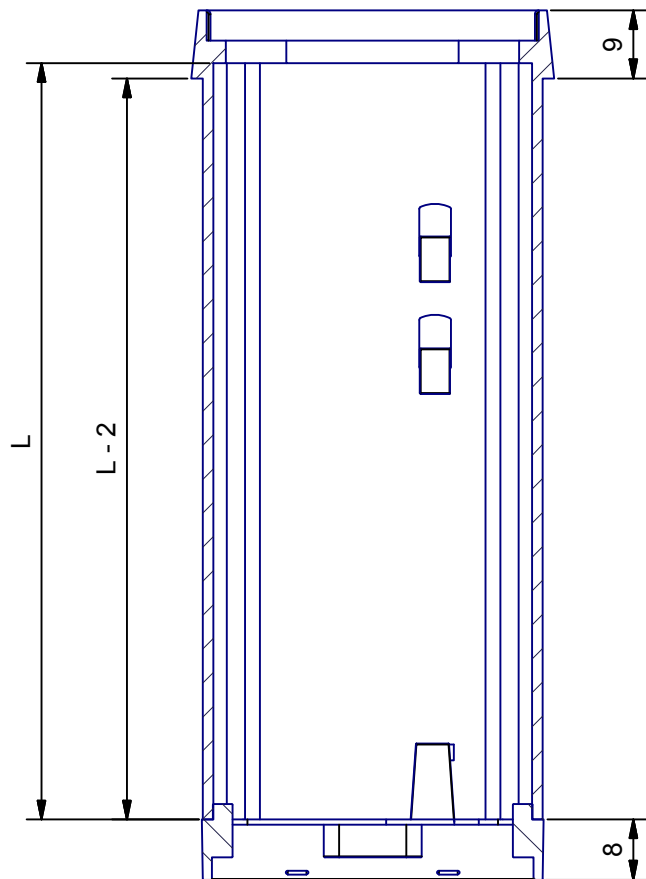


A-A (1:1)

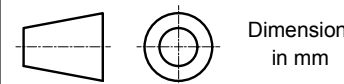


VERSIONS	L
48X48 L57	57 mm
48X48 L75	75 mm
48X48 L100	100 mm
48X48 L124	124 mm
48X48 LXXX	136 mm Max
48X48 L156	156 mm

COMPONENTS LIST				
RIF.	Q.TY	DESCRIPTION	CODE	
1	1	Corpo cont. INCABOX 48x48 B - Body enclosure INCABOX 48x48 B	I-00366	
2	1	Cornice post. 48x48 - Rear frame 48x48	I-00370	
3	2	Agganci in plastica INCABOX - Plastic fixing INCABOX	I-00769	
Da 0,5 a 3		Oltre 3 fino a 6	Oltre 6 fino a 30	Oltre 30 fino a 120
± 0,1		± 0,1	± 0,2	± 0,3
				± 0,5

RESERVED PROPERTY

The present drawing cannot be reproduced or communicated to 3d parties, even partially, without the authorization of ITALTRONIC Srl. Italtronic reserves to protect its own rights according to the law.



Dimension in mm

SHEET NR.
1 / 1

DRAWING BY
GAD
Manual modification are not allowed

GENERAL TOLERANCE
UNI EN 22768/1
Media (m)

5 4 3 2 1

Date: 16/04/2013
Replace nr.
Drawed: Rigato N. Checked: Dalla Montà D. Scale:

Revision description



Denomination:
Contenitore completo INCABOX 48x48 B
Complete enclosure INCABOX 48x48 B

ITALTRONIC S.R.L.
VIA AUSTRIA 25/D 35127
PADOVA - ITALY
www.italtronic.com

Drawing nr.
I-04561-00